

# ДРЕЛЬ-ШУРУПОВЕРТ АККУМУЛЯТОРНАЯ



AD-12.2A

AD-12.14B

AD-1660BL

AD-1665BL

AD-18.2

AD-18.21B

AD-DF18DW

AD-2150QBL

AD-2150BL

AD-2151BL

AD-2155BL

AD-2160BL

AD-2180BL



**PARTISAN**  
INDUSTRY  
ИНСТРУКЦИЯ

en

Original instructions

ru

Оригинальное руководство по эксплуатации



# Content / Содержание

---

## English

Explanatory drawings .....	pages 4 - 10
General safety rules, instructions manual .....	pages 11 - 17

---

## Русский

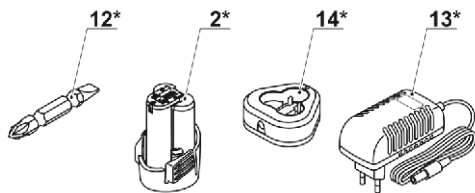
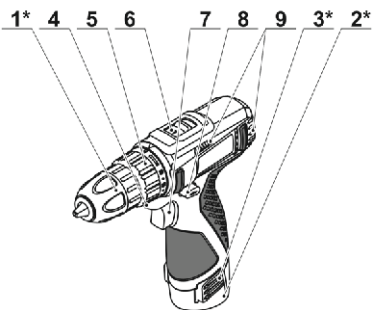
Пояснительные рисунки .....	страницы 4 - 10
Общие указания по ТБ, инструкция по эксплуатации .....	страницы 18 - 27

---



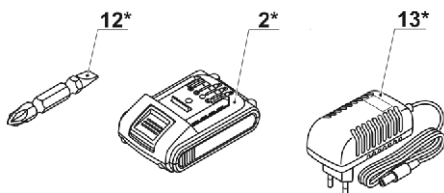
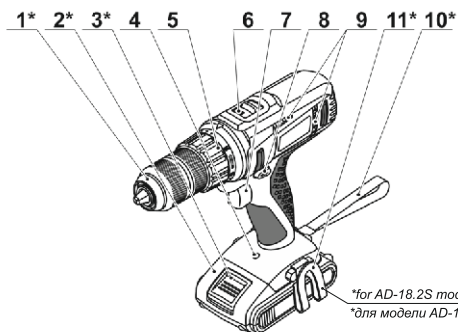
## AD-12.2A/12.14B/AD-1660BL/AD-1665BL

The images and illustrations in this manual are schematic and may differ from the actual product. may differ from the appearance of the assemblies and parts of actual products.



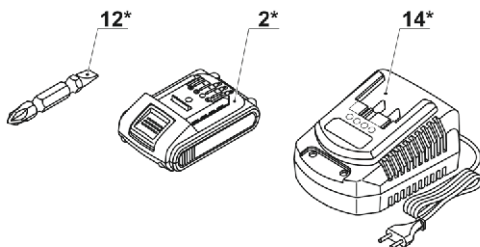
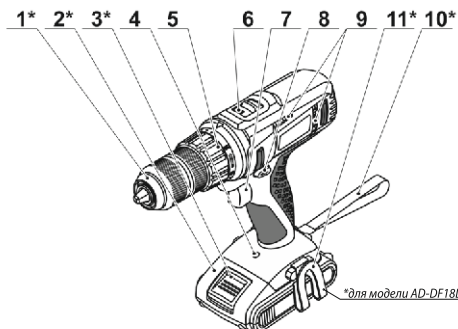
Представленные в инструкции изображения и иллюстрации схематичны и могут отличаться от вида узлов и деталей реальных изделий.

## AD-18.2/18.21B

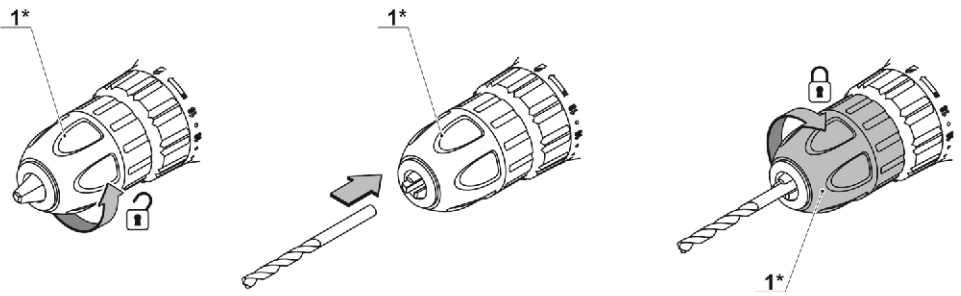
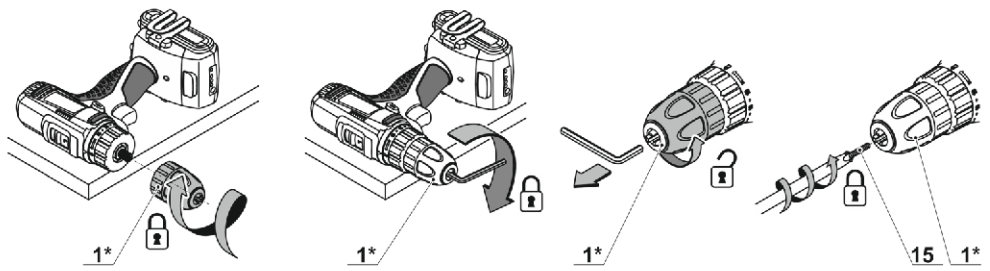
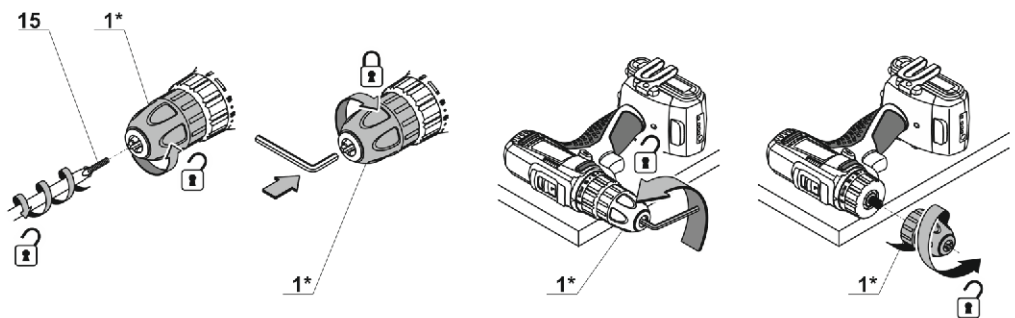


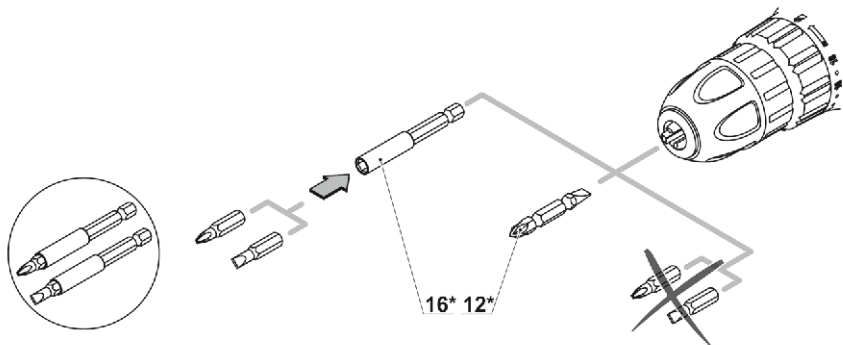
\*for AD-18.2S model  
\*для модели AD-18.2S

## AD-DF18DW/AD-2150QBL/AD-2150BL/2155BL/AD-2160BL/AD-2180BL/AD-2151BL

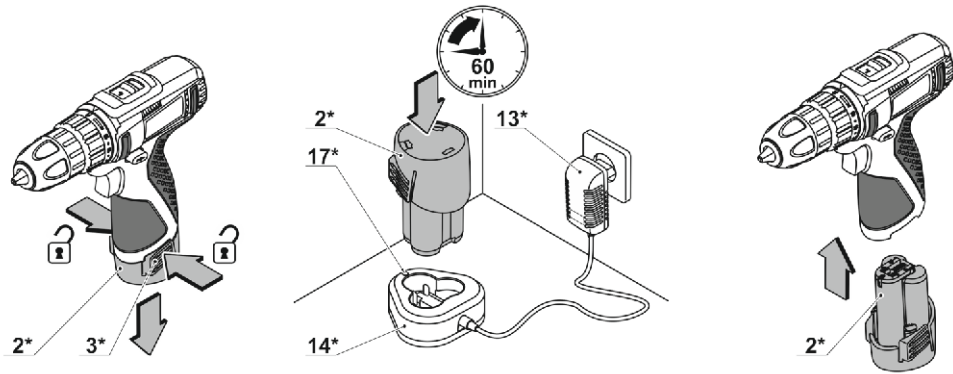


\*для модели AD-DF18DW\*

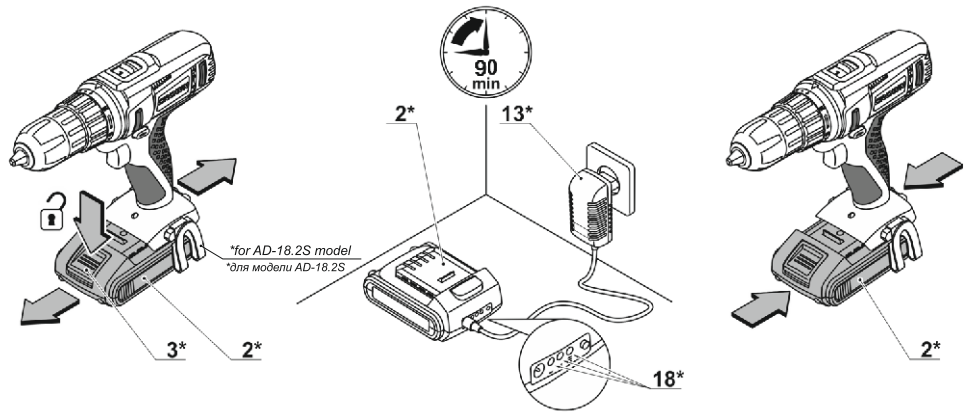
**1****2****3**

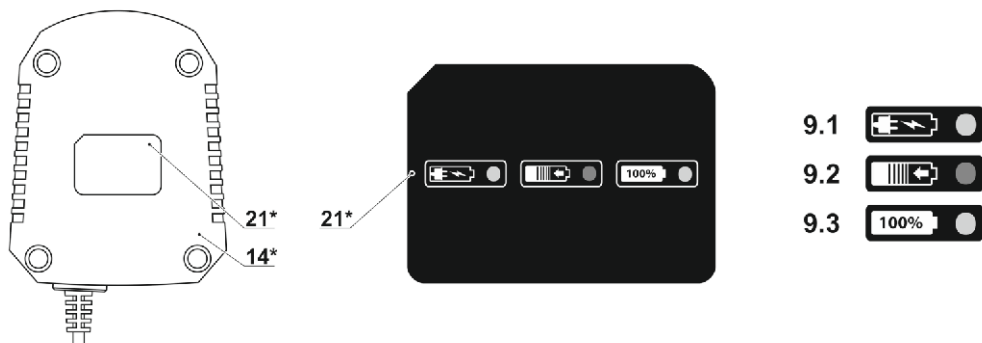
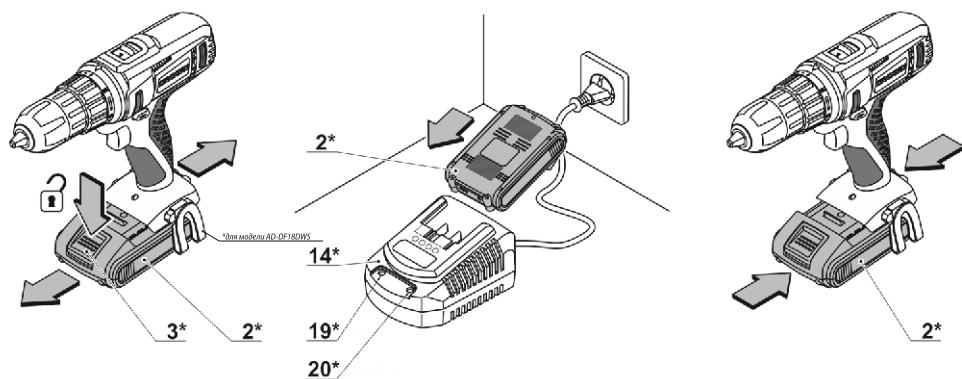


AD-12.2A/12.14B/AD-1660BL/AD-1665BL



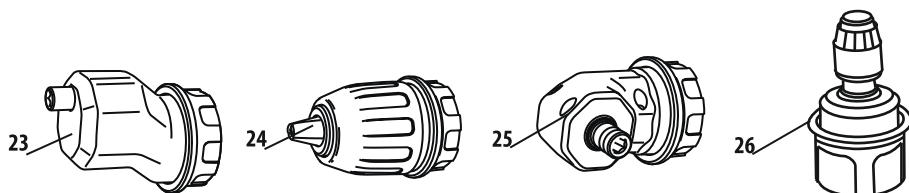
AD-18.2/18.21B



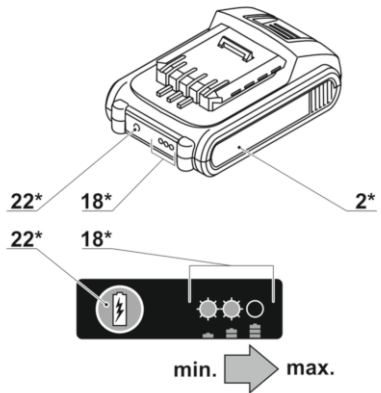


### КОМПЛЕКТ НАСАДОК ДЛЯ МОДЕЛИ AD-2150QBL

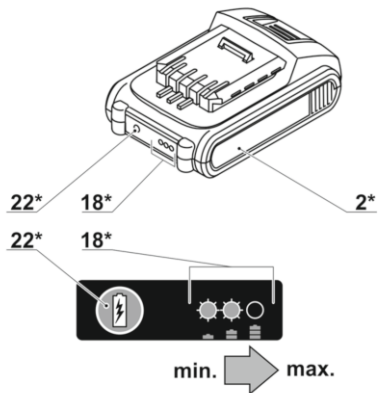
- 23- Редуктор эксцентриковый
- 24- Патрон сверлильный
- 25- Редуктор угловой
- 26- Насадка под биты



AD-18.2/18.21B

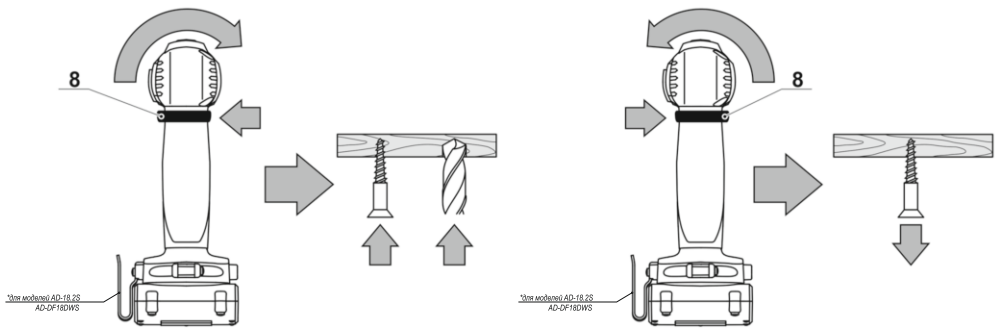


AD-DF18DW/AD-2150QBL/AD-2150BL/2155BAD-2160BL/AD-2180BL/AD-2151BL

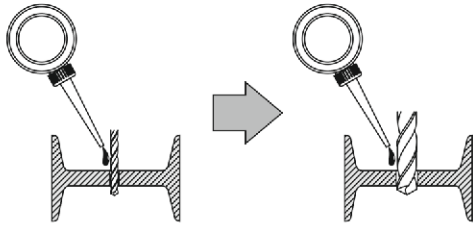


12.1

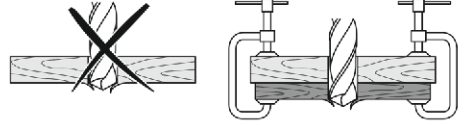
12.2



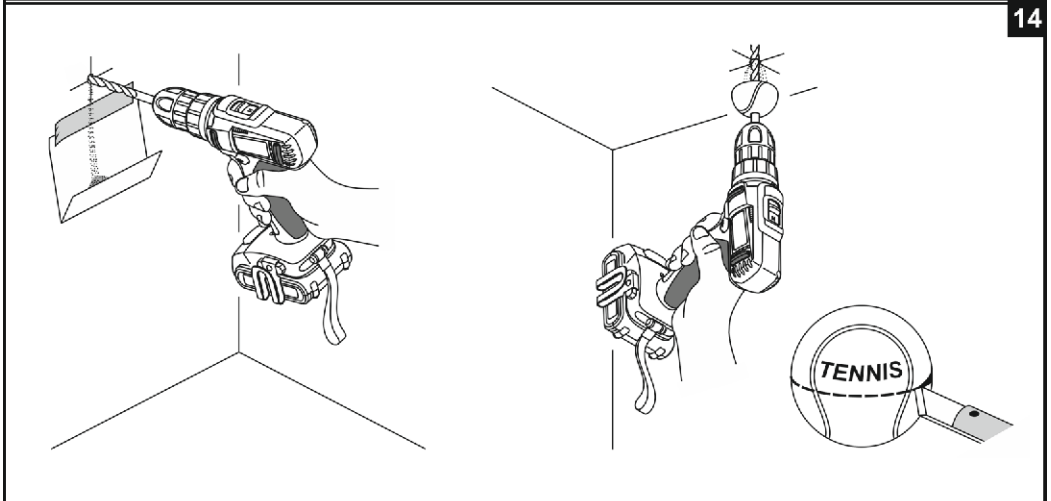
13.1



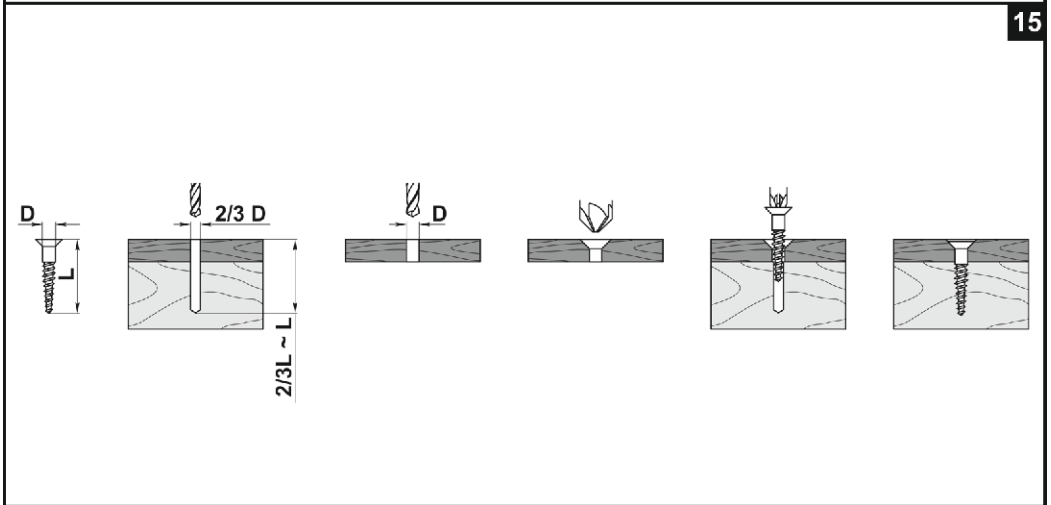
13.2



13

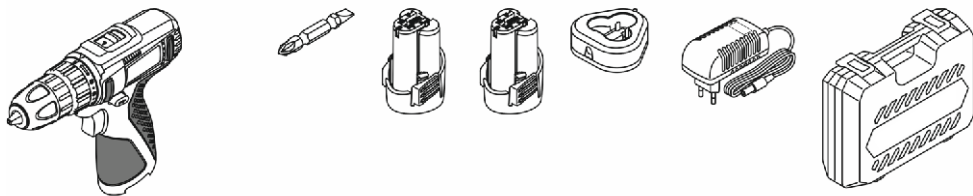


14

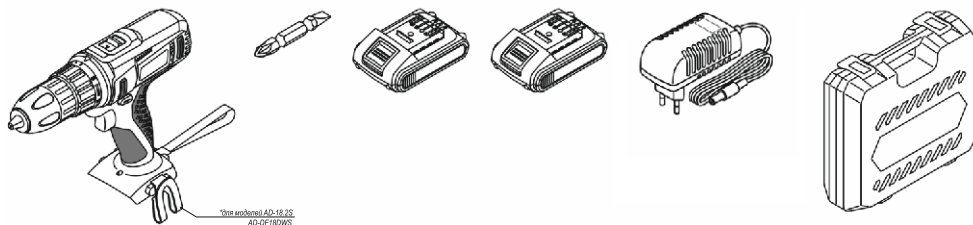


15

AD-12.2A/12.14B/AD-1660BL/AD-1665BL



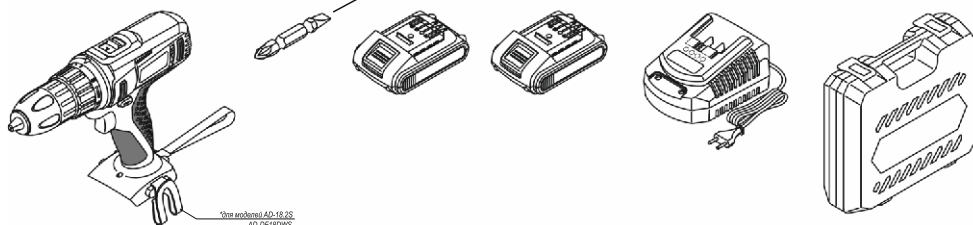
AD-18.2/18.21B



AD-DF18DW/ AD-2150QBL/AD-2150BL/2155BL/AD-2160BL / AD-2180BL\*/ AD-2151BL

*\*для модели AD-2180BL - 1 аккумулятор 4.0Ач в комплекте*

*\*только в модели  
AD-DF18DW*



## Power tool specification

Cordless drill / screwdriver	AD-12.2A/12.14.B	AD-18.2/18.21B	AD-DF18DW	AD-2150QBL	AD-2150BL
Motor type	brushed	brushed	brushless	brushless	brushless
Rated voltage [V]	12	18	18	21	21
No-load speed:					
- first gear [min <sup>-1</sup> ]	0-400	0-400	0-400	0-450	0-600
- second gear [min <sup>-1</sup> ]	0-1400	0-1400	0-1500	0-1650	0-2000
Battery type	Li-Ion	Li-Ion	Li-Ion	Li-Ion	Li-Ion
Battery charging time [min]	60-90	90	90	90	90
Battery capacity [Ah]	1,5	2,0	2,0	2,0	2,0
Max. torque (soft / hard) [Nm]	17/25	19/30	25/45	25/50	30/55
Chuck tightening range [mm] [inches]	0,8-10 1/32"-25/64"	0,8-10 1/32"-25/64"	0,8-10 1/32"-25/64"	0,8-10 1/32"-25/64"	2-13 1/16"-1/2"
Drilling output:					
- steel [mm] [inches]	10 25/64"	10 25/64"	13 33/64"	10 33/64"	13 33/64"
- wood [mm] [inches]	28 1-7/64"	28 1-7/64"	35 1-1/2"	35 1-1/2"	35 1-1/2"
Max. screw diameter [mm] [inches]	6 15/64"	8 5/16"	8 5/16"	8 5/16"	8 5/16"
Weight [kg] [lb]	1 2.2	1,54 2,21	1,54 2,21	1,57 2,21	1,59 2,22
Sound pressure [dB(A)]	64,83	69,23	69,23	69,23	69,23
Acoustic power [dB(A)]	75,83	80,23	80,23	80,23	80,23
Weighted vibration [m/s <sup>2</sup> ]	1,06	1,29	1,29	1,29	1,29

Cordless drill / screwdriver	AD-2151BL	AD-2155BL	AD-2160BL	AD-1660BL	AD-1665BL	AD-2180BL
Motor type	brushless	brushless	brushless	brushless	brushless	brushless
Rated voltage [V]	21	21	21	16	16	21
No-load speed:						
- first gear [min <sup>-1</sup> ]	0-600	0-400	0-400	0-430	0-400	0-400
- second gear [min <sup>-1</sup> ]	0-2000	0-1400	0-1500	0-1700	0-1500	0-2100
Battery type	Li-Ion	Li-Ion	Li-Ion	Li-Ion	Li-Ion	Li-Ion
Battery charging time [min]	90	90	90	90	90	90
Battery capacity [Ah]	2,0	2,0	2,0	2,0	2,0	4,0
Max. torque (soft / hard) [Nm]	25/50	30/55	35/60	35/60	35/60	50/80
Chuck tightening range [mm] [inches]	0,8-10 1/32"-25/64"	0,8-10 1/32"-25/64"	0,8-13 5/64"-1/2"	0,8-10 5/64"-1/2"	0,8-10 5/64"-1/2"	0,8-13 5/64"-1/2"
Drilling output:						
- steel [mm] [inches]	10 25/64"	13 33/64"	13 33/64"	13 33/64"	10 33/64"	13 33/64"
- wood [mm] [inches]	35 1-1/2"	35 1-1/2"	40 1-37/64"	40 1-37/64"	40 1-37/64"	40 1-37/64"
Max. screw diameter [mm] [inches]	8 5/16"	8 5/16"	8 5/16"	8 5/16"	8 5/16"	8 5/16"
Weight [kg] [lb]	1,57 2,21	1,58 2,21	1,6 2,21	1,83 2,21	1,9 2,3	1,83 2,21
Sound pressure [dB(A)]	69,23	69,23	69,23	69,13	69,13	69,23
Acoustic power [dB(A)]	80,23	80,23	80,23	79,1	79,1	80,23
Weighted vibration [m/s <sup>2</sup> ]	1,29	1,29	1,29	1,29	1,29	1,29

## Noise information



Always wear ear protection if the sound pressure exceed 85 dB(A).



**WARNING** - To reduce the risk of injury, user must read instruction manual!

## General safety rules



**WARNING!** Read all safety warnings, instructions, illustrations and specifications provided with this power tool. Failure to follow the warnings and instructions may result in electric shock, fire and / or serious injury.

**Save all warnings and instructions for future reference.**

The term "power tool" in the warnings refers to your mains-operated (corded) power tool or battery-operated (cordless) power tool.

## Work area safety

- **Keep work area clean and well lit.** Cluttered or dark areas invite accidents.
- **Do not operate power tools in explosive atmospheres, such as in the presence of flammable liquids, gases or dust.** Power tools create sparks which may ignite the dust or fumes.
- **Keep children and bystanders away while operating a power tool.** Distractions can cause you to lose control.

## Electrical safety

- **Power tool plugs must match the outlet. Never modify the plug in any way. Do not use any adapter plugs with earthed (grounded) power tools.** Unmodified plugs and matching outlets will reduce risk of electric shock.
- **Avoid body contact with earthed or grounded surfaces, such as pipes, radiators, ranges and refrigerators.** There is an increased risk of electric shock if your body is earthed or grounded.
- **Do not expose power tools to rain or wet conditions.** Water entering a power tool will increase the risk of electric shock.
- **Do not abuse the cord. Never use the cord for carrying, pulling or unplugging the power tool. Keep cord away from heat, oil, sharp edges or moving parts.** Damaged or entangled cords increase the risk of electric shock.
- **When operating a power tool outdoors, use an extension cord suitable for outdoor use.** Use of a cord suitable for outdoor use reduces the risk of electric shock.
- **If operating a power tool in a damp location is unavoidable, use a residual current device (RCD) protected supply.** Use of an RCD reduces the risk of electric shock. NOTE! The term "residual current device (RCD)" may be replaced by the term "ground fault circuit interrupter (GFCI)" or "earth leakage circuit breaker (ELCB)".
- **Warning!** Never touch the exposed metal surfaces on gearbox, shield, and so on because touch-

ing metal surfaces will be interfered with the electromagnetic wave, thus causing potential injury or accidents.

## Personal safety

- **Stay alert, watch what you are doing and use common sense when operating a power tool. Do not use a power tool while you are tired or under the influence of drugs, alcohol or medication.** A moment of inattention while operating power tools may result in serious personal injury.
  - **Use personal protective equipment. Always wear eye protection.** Protective equipment such as dust mask, non-skid safety shoes, hard hat, or hearing protection used for appropriate conditions will reduce personal injuries.
  - **Prevent unintentional starting. Ensure the switch is in the off-position before connecting to power source and / or battery pack, picking up or carrying the tool.** Carrying power tools with your finger on the switch or energising power tools that have the switch on invites accidents.
  - **Remove any adjusting key or wrench before turning the power tool on.** A wrench or a key left attached to a rotating part of the power tool may result in personal injury.
  - **Do not overreach. Keep proper footing and balance at all times.** This enables better control of the power tool in unexpected situations.
  - **Dress properly. Do not wear loose clothing or jewellery. Keep your hair, clothing and gloves away from moving parts.** Loose clothes, jewellery or long hair can be caught in moving parts.
  - **If devices are provided for the connection of dust extraction and collection facilities, ensure these are connected and properly used.** Use of dust collection can reduce dust-related hazards.
  - **Do not let familiarity gained from frequent use of tools allow you to become complacent and ignore tool safety principles.** A careless action can cause severe injury within a fraction of a second.
  - **Warning!** Power tools can produce an electromagnetic field during operation. This field may under some circumstances interfere with active or passive medical implants. To reduce the risk of serious or fatal injury, we recommend persons with medical implants to consult their physician and the medical implant manufacturer before operating this power tool.
- ## Power tool use and care
- The persons with lowered psychophysical or mental aptitudes as well as children can not operate the power tool, if they are not supervised or instructed about use of the power tool by a person responsible for their safety.
  - **Do not force the power tool. Use the correct power tool for your application.** The correct power tool will do the job better and safer at the rate for which it was designed.
  - **Do not use the power tool if the switch does not turn it on and off.** Any power tool that cannot be controlled with the switch is dangerous and must be repaired.
  - **Disconnect the plug from the power source and / or the battery pack from the power tool before making any adjustments, changing accessories, or**

**storing power tools.** Such preventive safety measures reduce the risk of starting the power tool accidentally.

- **Store idle power tools out of the reach of children and do not allow persons unfamiliar with the power tool or these instructions to operate the power tool.** Power tools are dangerous in the hands of untrained users.

- **Maintain power tools. Check for misalignment or binding of moving parts, breakage of parts and any other condition that may affect the power tool's operation. If damaged, have the power tool repaired before use.** Many accidents are caused by poorly maintained power tools.

- **Keep cutting tools sharp and clean.** Properly maintained cutting tools with sharp cutting edges are less likely to bind and are easier to control.

- **Use the power tool, accessories and tool bits etc. in accordance with these instructions, taking into account the working conditions and the work to be performed.** Use of the power tool for operations different from those intended could result in a hazardous situation.

- **Keep handles and grasping surfaces dry, clean and free from oil and grease.** Slippery handles and grasping surfaces do not allow for safe handling and control of the tool in unexpected situations.

- Note that when you operate a power tool, please hold the auxiliary handle correctly, which is helpful when controlling the power tool. Therefore, proper holding can reduce the risk of accidents or injuries.

### Battery tool use and care

- **Recharge only with the charger specified by the manufacturer.** A charger that is suitable for one type of battery pack may create a risk of fire when used with another battery pack.

- **Use power tools only with specifically designated battery packs.** Use of any other battery packs may create a risk of injury and fire.

- **When battery pack is not in use, keep it away from other metal objects, like paper clips, coins, keys, nails, screws or other small metal objects, that can make a connection from one terminal to another.** Shorting the battery terminals together may cause burns or a fire.

- **Under abusive conditions, liquid may be ejected from the battery; avoid contact. If contact accidentally occurs, flush with water. If liquid contacts eyes, additionally seek medical help.** Liquid ejected from the battery may cause irritation or burns.

- **Avoid unintentional switching on. Ensure the on / off switch is in the off position before inserting battery pack.** Carrying the power tool with your finger on the on / off switch or inserting the battery pack into power tools that have the switch in accidents.

- **Do not open the battery.** Danger of circuit
- **In case of damage and improper use of the battery, vapors may be emitted. Provide for fresh air and seek medical help in case of complaints.** The vapors can irritate the respiratory system.

- **When the battery is defective, liquid can escape and come into contact with adjacent components.** Check any parts concerned. Clean such parts or replace them, if required.

- **Protect the battery against heat, e.g., also against continuous sun irradiation and fire.** There is danger of explosion.



**WARNING! Read all safety warnings and all instructions.**

- **Protect the battery charger from rain and moisture.** The penetration of water in a battery charger increases the risk of electric shock.

- **Do not charge other batteries.** The battery charger is suitable only for charging lithium ion batteries within the listed voltage range. Otherwise there is danger of fire and explosion.

- **Keep the battery charger clean.** Contamination may cause the danger of electric shock.

- **Check the battery charger, cable and plug each time before using. Do not use the battery charger when defects are detected. Do not open the battery charger yourself and have it repaired only by qualified personnel using original spare parts.** Damaged battery chargers, cables and plugs increase the risk of electric shock.

- **Do not operate the battery charger on easily inflammable surfaces (e.g., paper, textiles, etc.) or in combustible environments.** There is danger of fire due to the heating of the battery charger during charging.

### Service

- **Have your power tool serviced by a qualified repair person using only identical replacement parts.** This will ensure that the safety of the power tool is maintained.

- Follow instruction for lubricating and changing accessories.

---

### Special safety warnings

- **Hold power tool by insulated gripping surfaces, when performing an operation where the cutting accessory may contact hidden wiring or its own cord.** Cutting accessory contacting a "live" wire may make exposed metal parts of the power tool "live" and could give the operator an electric shock.

- **Wear ear protectors** Exposure to noise can cause hearing loss.

---

### Safety guidelines during power tool operation

- The workpiece shall be fastened. Fixed devices or vice shall be used to fasten the workpiece, which will be more secure than holding the workpiece with your hands.

- Considering that asbestos may cause cancer, asbestos - containing materials shall not be processed.

- The power tool could be put down only after the parts of power tool is completely static. Accessory on the power tool might be clamped during work, which may make it difficult for you to control the power tool.

- Appropriate detector shall be used to find the location of hidden power wires. Or you should obtain relevant information from local power supply unit. Drilling electric wires will cause fire and electric shock. Damaged gas pipe will cause explosion. If water pipes are punctured, damage will be caused to property.


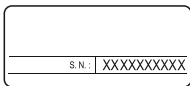

- In case a accessory installed on the power tool is clamped, you shall shut down the power tool and









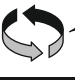






stay calm. At that time, the power tool will produce extremely high reactive torque thus resulting in return stroke. The accessory installed on the power tool are likely to be clamped, for example: hypercharge of power tool or skewing of accessory installed on the power tool during work.



- If hidden electric wires or power lines of the power tool itself might be cut off during work, you must hold the insulated handle to operate the power tool. When the power tool is in touch with a charged line, the metal parts on the power tool will conduct electricity and may cause the operator to get an electric shock.
- During work, you must tightly hold the power tool and ensure you stand firmly. You should hold the power tool with your hands.
- When operating and using the power tool, you can only hold switch position of the main handle rather than other parts.
- Avoid stopping an power tool motor when loaded.
- Never remove any chips or fragments with your power tool's motor running.
- Use accessories without defects - it will make working with the power tool easier.
- The modification of the drill bits design and the use of removable orifices and accessories not envisaged for this power tool is strictly forbidden.
- Do not apply excessive pressure when operating the power tool - it can jam the drill bit and overload the engine.
- Do not allow drill bits to jam in the material processed. If this occurs, do not try to release them by means of the power tool engine. This can put the power tool out of order.
- Striking out drill bits jammed in the material processed with a hammer or other objects is strictly forbidden - metal fragments can hurt both the operator and the people nearby.
- Avoid overheating your power tool, when using it for a long time.

## Symbols used in the manual

Following symbols are used in the operation manual, please remember their meanings. Correct interpretation of the symbols will allow correct and safe use of the power tool.

Symbol	Meaning
	<b>Cordless drill / screwdriver</b> Sections marked gray - soft grip (with insulated surface).
	<b>Serial number sticker:</b> XXXX - date of manufacture; XXXXXX - model; XXXXXXXX - serial number.
	Read all safety regulations and instructions.

Symbol	Meaning
	Wear safety goggles.
	Wear a dust mask.
	Do not heat the battery above 45°C. Protect from prolonged exposure to direct sunlight.
	Do not dispose of the battery in a domestic waste container.
	Do not dispose of the battery in the fire.
	Protect the battery from the rain.
	Battery charging time.
	Movement direction.
	Rotation direction.
	Locked.
	Unlocked.
	Attention. Important.
	Useful information.
	Wear protective gloves.
	Torque control position: "Drilling".

Symbol	Meaning
	Stepless speed control.
	Do not dispose of the power tool in a domestic waste container.

## Power tool designation

Cordless drills / screwdrivers are designed for hole drilling in wood, plastic and metal, as well as for screwing in and loosening of threaded fastening elements (screws, bolts, etc.).

Model AD-2150QBL is equipped with special nozzles (Fig.9).

## Power tool components

- 1 Keyless chuck
- 2 Battery \*
- 3 Battery lock \* (for the models AD-18,2S/AD-DF18DWS)
- 4 LED lamp
- 5 Torque regulator
- 6 Step speed selector switch
- 7 On / off switch
- 8 Reverse switch
- 9 Ventilation slots
- 10 Strap \*
- 11 Belt clip \*
- 12 Screwdriver bit \*
- 13 Power unit \*
- 14 Charger \*
- 15 Screw
- 16 Magnetic holder \*
- 17 Indicator of the charger \*
- 18 Indicators of the state of battery charge \*
- 19 Indicator (red) \*
- 20 Indicator (green) \*
- 21 Charger label \*
- 22 Control button of the state of battery charge \*
- 23 Eccentric reducer (attachment)\*\*
- 24 Drilling chuck (accessory)\*\*
- 25 Angle reducer (accessory)\*\*
- 26 Bit attachment (accessory)\*\*

\* Optional extra

\*\* Included only for the model AD-2150QBL

**Not all of the accessories illustrated or described are included as standard delivery.**

## Installation and regulation of power tool elements

Before execution of any procedures, centre the reverse switch 8.



Do not draw up the fastening elements too tight to avoid damaging the thread.



**Mounting / dismantling / setting-up of some elements is the same for all power tool models, in this case specific models are not indicated in the illustration.**

## Mounting / replacement of accessories (see fig. 1)



**With long-term use the drill bit may become very warm; use gloves to remove it.**

- Open the jaws of the keyless chuck 1, rotating its front part as shown in figure 1.
- Mount / replace the accessory.
- Tighten the keyless chuck 1 without skewing the accessory as it is shown in figure 1.

## Mounting / dismantling of the keyless chuck (see fig. 2-3)

- To mount the keyless chuck 1, carry out the operations in consecutive stages as it is shown in figure 2.
- To dismantle the keyless chuck 1, carry out the operations in consecutive stages as it is shown in figure 3.



**Attention: keep in mind that in the process of mounting / dismantling of the keyless chuck 1 the screw 15 has a left-hand thread.**

## Screwdriver bit / magnetic holder (see fig. 4)

For short screwdriver bits use the magnetic holder 16 for their reliable fixing (see fig. 4).

A magnetic holder 16 is not needed for extended screwdriver bits 12 (specially purposed for screwdrivers).

## Charging procedure of the power tool battery

### Initial operating of the power tool

**The power tool is supplied with a partially charged battery 2. Before the first use, the battery 2 must be fully charged.**



**Warning! Do not work under the charging status!**

### Charging process (see fig. 5-7)

- Centre the reverse switch 8.
- Press the battery lock 3 (for AD-12.2A/12.14B/1660BL-two battery locks 3) and remove the battery 2 (see fig. 5-8).

### [ AD-12.2A/12.14B/AD-1660BL/AD-1665BL ]

- Connect the power unit 13 to the charger 14 (fig.5).
- Connect the power unit 13 to the power supply.
- Insert battery 2 into charger 14 (see fig. 5).
- Remove the battery 2 from the charger 14 and mount battery 2 in the power tool.
- Disconnect the power unit 13 from power supply.

## [ AD-18.2/18.21B ]

- Insert the power supply plug **13** to the battery **2** (see Fig. 6-7)
- Connect the power supply **13** to the mains.
- Disconnect the power supply **13** to the mains. Disconnect the battery **2** from the power supply **13** and install the battery **2** in the power

## [ AD-DF18DW/AD-2150QBL/AD-2150BL/2155BL/AD-2160BL/AD-2180/AD-2151BL ]

- Insert the battery **2** into the charger **14** (see Fig. 7).
- Connect the charger **14** to the mains.
- Disconnect the charger **14** from the mains.
- Remove the battery **2** from the charger **14** and insert the battery **2** into the power tool.

### Charger indicators (see fig. 5)

- The indicator **17** (of the charger **14**) informs about the progress of the charging process of the battery **2** (see Fig. 5).
- The indicator **17** glows green, the battery **2** is not inserted into the charger **14** - the charger **14** and the power supply **13** are connected to the mains (ready for charging).

The indicator **17** glows red, the accumulator **2** is inserted into the charger **14** - the process of charging the battery **2** is underway.

Indicator **17** glows green, accumulator **2** is inserted into the charger **14** - ac-battery **2** is fully charged. • The indicator **17** glows red (blinks), the battery **2** is inserted into the charger **14** the charging process of the battery **2** is stopped due to its malfunction. Replace the faulty accumulator **2**, its further uses prohibited.

## [ AD-18.2/18.21B ]

Indicators **18** (of the battery **2**) inform about charging process of the battery **2** (see fig. 6).

- Power unit **13** is connected to the battery **2**, indicators **18** lights red (one by one) - the battery **2** is being charged.
- Power unit **13** is connected to the battery **2**, all indicators **18** lights red - the battery **2** is fully charged. Some time later indicators **18** will be turns off to save energy.
- Power unit **13** is connected to the battery **2**, indicators **18** not lights - the charging process of the battery **2** is terminated because of its failure. Replace the faulty battery **2**, its further use is prohibited.

## [ AD-DF18DW/AD-2150QBL/AD-2150BL/2155BL/AD-2160BL/AD-2180/AD-2151BL ]

Charger indicators **19** and **20** inform of the battery **2** charging process. Signals of the indicators **19** and **20** are shown on the label **21** (see fig. 9.1-9.3).

- Fig. 9.1 - (the green indicator **20** is on, the battery **2** is not inserted in the charger **14**) - the charger **14** is connected to the power network (ready for charging).
- Fig. 9.2 - (the red indicator **19** is on, the battery **2** is inserted in the charger **14**) - the battery **2** is being charged.
- Fig. 9.3 - (the green indicator **20** is on, the battery **2** is inserted in the charger **14**) - the battery **2** is fully charged.



**In the process of charging the battery 2 and the charger 14 become hot, it is a normal process.**

## Switching on/off the electron-string

Make sure that the reverse switch **8** is not in the middle position, since in this case the on/off switch **7** is blocked.

### Switching on:

Press on / off switch **7**.

### Switching off:

Release the on / off switch **7**.

## Design features of the power tool

### Battery (see fig. 10-11)

The battery **2** is protected by the safety system against deep discharge. In case of complete discharge, the power tool is automatically switched off. **Attention: do not try to switch on the power tool when the protection system is activated the battery 2 can be damaged.**

## [ AD-18.2/18.21B/ AD-DF18DW/AD-2150QBL/AD-2150BL/2155BL/ AD-2160BL/AD-2180/AD-2151BL ]

With the push of the button **22** the indicators **18** show the state of charge of the battery **2** (see fig. 10-11).

If by pressing the button **22**, the indicators **18** do not light, this can occur for the following reasons:

- battery **2** is completely discharged (the process of charging battery **2** will occur in normal mode);
- battery **2** is damaged (battery **2** cannot be charged, it must be replaced);
- the temperature of battery **2** is too high or too low (it is necessary to normalize the temperature, after which the process of charging battery **2** will occur in normal mode).

### Temperature protection

The temperature protection system enables to automatically deactivate the power tool in case of excess load or when the temperature of the battery **2** is exceeding 70°C. The system guarantees protection of the power tool from damage in case of noncompliance with the operation conditions.

### LED lamp

When the on / off switch **7** is pushed, the LED lamp **4** is automatically switched on that allows to carry out works in low light conditions.

### Torque regulator

Rotate the regulator **5** in order to set one of the torque values most suitable for the work performed.



It is recommended to set the torque regulator **5** into the position "Drill" to perform drilling.

### Stepless speed adjustment



Speed is controlled from 0 to maximum by pressing force of on / off switch **7**. Weak pressing results in low revolutions, which enable a smooth power tool switch-on.

### Step speed selector switch



**Attention: one can only change the revolutions per minute range after the engine fully stops.**

In order to choose the "1" gear, move the switch 5 back. This mode is used for the fastening of screws or for large diameter hole drilling.

In order to choose the "2" gear, move the switch 5 forward. This mode is used for speed drilling of small diameter holes.

### Changing the rotational directions (see fig. 12)



**Change the direction of rotation only after a full stop of the motor, acting otherwise may cause damage to the power tool.**

**Clockwise rotation** (drilling, fastening of screws) - move the reverse switch 8 to the left as it is shown in fig. 12.1.

**Counter clockwise rotation** (unscrewing the screws) - move the reverse switch 8 to the right as it is shown in fig. 12.2.

### Break rundown

Break rundown stops the keyless chuck 1 immediately after the power tool is turned off. This helps to avoid an excessive tightening of the bolts and screws and prevents work pieces, screwdriver bits and slots of fastening elements from being damaged.

---

## Recommendations on the power tool operation

### Drilling (see fig. 13-14)

- Grease the drill bit regularly when drilling holes in metals (except drilling non-ferrous metals and their alloys).
- When drilling hard metals, apply more force to the power tool and lower the rotation speed.
- When drilling large diameter holes in metal, first drill a hole with a smaller diameter and ream it till the necessary diameter (see. fig. 13.1).
- In order to avoid splitting of the surface at an exit point of a drill bit when drilling holes in wood, follow the instructions shown in figure 13.2.
- In order to decrease dust production when drilling holes in walls and ceilings, take actions indicated in fig. 14.

### Screwing the screws (see fig. 15)

- To make fastening of screws easier and in order to prevent cracking of the work pieces, first drill a hole with a diameter equal to 2/3 of a diameter of the screw.
- If you are connecting work pieces with the help of screws, in order to achieve durable joint without getting cracks, fracturing or layering, take actions shown in figure 15.

---

## Power tool maintenance / preventive measures

**Before execution of any procedures, centre the reverse switch 8.**

### Battery maintenance instruction

- Charge timely before the battery 2 is completely exhausted. Stop operation in low power and charge it immediately.

- Do not overcharge when the battery 2 is full, otherwise it will shorten the life time.
- Charge battery 2 in the room temperature of 10°C to 40°C (50°F to 104°F).
- Charge battery 2 every 6 months without operation for a long time.
- Replace worn out batteries in time. Decline of production or a significantly shorter runtime of the power tool after charging indicates aging of the battery 2 and the need for replacement. It should be taken into account that the battery 2 may discharge faster if the works take place in the temperature below 0°C.
- In case of long time storage without use, it is recommended to store the battery 2 at room temperature, it should be charged to 50%.

### Cleaning of the power tool

An indispensable condition for a safe long-term exploitation of the power tool is to keep it clean. Regularly flush the power tool with compressed air through the ventilation slots 9.

### After-sales service and application service

Our after-sales service responds to your questions concerning maintenance and repair of your product as well as spare parts. Information about service centers, parts diagrams and information about spare parts can also be found under: [www.crown-tools.com](http://www.crown-tools.com).

---

## Transportation of the power tools

- Categorically not to drop any mechanical impact on the packaging during transport.
- When unloading / loading is not allowed to use any kind of technology that works on the principle of clamping packaging.

### Li-Ion batteries

The contained Li-Ion batteries are subject to the Dangerous Goods Legislation requirements. The user can transport the batteries by road without further requirements. When being transported by third parties (e.g.: air transport or forwarding agency), special requirements on packaging and labelling must be observed. For preparation of the item being shipped, consulting an expert for hazardous material is required.

Dispatch batteries only when the housing is undamaged. Tape or mask off open contacts and pack up the battery in such a manner that it cannot move around in the packaging. Please also observe possibly more detailed national regulations.

---

## Environmental protection



**Recycle raw materials instead of disposing as waste.**

Power tool, accessories and packaging should be sorted for environment-friendly recycling.

The plastic components are labelled for categorized recycling.

These instructions are printed on recycled paper manufactured without chlorine.

**The manufacturer reserves the possibility to introduce changes.**

## Уважаемый Покупатель!

Выражаем Вам признательность за выбор и приобретение техники **PARTISAN**, отличающейся высокой надежностью и эффективностью в работе.

Мы уверены, что наше изделие будет надежно служить Вам в течение долгих лет.

Пожалуйста, обратите внимание на то, что эффективная и безопасная работа, а также надлежащее техническое обслуживание возможно только после внимательного изучения Вами данного руководства пользователя.

При покупке рекомендуем Вам проверить комплектность поставки и отсутствие возможных повреждений, возникших при транспортировке или хранении на складе продавца. Изображенные или описанные в данном руководстве принадлежности не в обязательном порядке могут входить в комплект поставки.

Проверьте также наличие гарантийного талона, дающего право на бесплатное устранение заводских дефектов в период гарантийного срока. На талоне должна присутствовать дата продажи, штамп магазина и подпись продавца.

Внимательно прочитайте настоящее руководство и следуйте его указаниям.

Храните данное руководство в надежном месте.

---

## Назначение

**Дрель-шурупверт PARTISAN** предназначена для завинчивания/отвинчивания шурупов, винтов, а также для сверления отверстий сверлом в дереве, металле, керамике. Данное изделие является беспроводным и комплектуется аккумулятором, позволяющим работать без подключения к сети.

При работе использовать наушники, перчатки, защитные очки, респиратор.

Устройство предназначено только для бытового применения. Максимальная продолжительность работы - до 3-х часов в день с 10-и минутным перерывом каждые 15 минут работы.

Допустимый диапазон температуры окружающей среды, при которой можно пользоваться устройством: 0°C-+40°C.

Модель AD-2150QBL укомплектована специальными насадками (рис.9).

## Дополнительные правила безопасности при работе с электроинструментом

Удерживайте машину за изолированные поверхности захвата, если режущий инструмент при работе может прикоснуться к скрытой проводке. При прикосновении режущего инструмента к находящемуся под напряжением проводу доступные металлические части ручной машины могут попасть под напряжение и вызвать поражение оператора электрическим током.

Держите машину за изолированные поверхности, предназначенные для удержания рукой, при выполнении операции, при котором возможен контакт крепежных элементов (закручиваемых шурупов или винтов) со скрытой проводкой. При их контакте с проводом, находящимся под напряжением, доступные для прикосновения металлические части машины оказываются под напряжением, в результате чего оператор может быть поражен электрическим током.

---

## Важная информация

**Данное оборудование не предназначено для профессионального (промышленного) использования.**

---

**Внимание! Данный инструмент не предназначен для использования лицами (включая детей) с пониженными физическими, чувственными или умственными способностями или при отсутствии у них жизненного опыта и знаний, если они не находятся под контролем или не проинструктированы об использовании прибора лицом, отвечающим за их безопасность. Дети должны находиться под контролем для недопущения игры с электроинструментом.**

---

*В связи с постоянной работой над улучшениями продукции, дизайн изделий может быть изменен без ухудшения его технических параметров и без предварительного уведомления покупателей.*

## Технические характеристики электроинструмента

Аккумуляторная дрель / шуруповёрт	AD-12.2A/12.14.B	AD-18.2/18.21B	AD-DF18DW	AD-2150QBL	AD-2150BL
Тип двигателя	brushed	brushed	brushless	brushless	brushless
Номинальное напряжение [В]	12	18	18	21	21
Число оборотов холостого хода:					
- первая передача [мин <sup>-1</sup> ]	0-400	0-400	0-400	0-450	0-600
- вторая передача [мин <sup>-1</sup> ]	0-1400	0-1400	0-1500	0-1650	0-2000
Тип аккумулятора	Li-Ion	Li-Ion	Li-Ion	Li-Ion	Li-Ion
Время зарядки аккумулятора [мин]	60-90	90	90	90	90
Ёмкость аккумулятора [Ач]	1,5	2.0	2.0	2.0	2.0
Макс. крутящий момент (мягкая посадка / жесткая посадка) [Нм]	17/25	19/30	25/45	25/50	30/55
Диапазон зажима сверлильного патрона [мм] [дюймы]	0,8-10 1/32"-25/64"	0,8-10 1/32"-25/64"	0,8-10 1/32"-25/64"	0,8-10 1/32"-25/64"	2-13 1/16"-1/2"
Макс. диаметр сверления:					
- сталь [мм] [дюймы]	10 25/64"	10 25/64"	13 33/64"	10 33/64"	13 33/64"
- дерево [мм] [дюймы]	28 1-7/64"	28 1-7/64"	35 1-1/2"	35 1-1/2"	35 1-1/2"
Макс. диаметр закручиваемых шурупов [мм] [дюймы]	6 5/16"	8 5/16"	8 5/16"	8 5/16"	8 5/16"
Вес [кг] [фунты]	1 2.2	1,54 2.21	1,54 2.21	1,57 2.21	1,59 2.22
Звуковое давление [дБ(А)]	64,83	69,23	69,23	69,23	69,23
Вибрация [дБ(А)]	75,83	80,23	80,23	80,23	80,23
Акустическая мощность [м/с <sup>2</sup> ]	1,06	1,29	1,29	1,29	1,29

Аккумуляторная дрель / шуруповёрт	AD-2151BL	AD-2155BL	AD-2160BL	AD-1660BL	AD-1665BL	AD-2180BL
Тип двигателя	brushless	brushless	brushless	brushless	brushless	brushless
Номинальное напряжение [В]	21	21	21	16	16	21
Число оборотов холостого хода:						
- первая передача [мин <sup>-1</sup> ]	0-600	0-400	0-400	0-430	0-400	0-400
- вторая передача [мин <sup>-1</sup> ]	0-2000	0-1400	0-1500	0-1700	0-1500	0-2100
Тип аккумулятора	Li-Ion	Li-Ion	Li-Ion	Li-Ion	Li-Ion	Li-Ion
Время зарядки аккумулятора [мин]	90	90	90	90	90	90
Ёмкость аккумулятора [Ач]	2.0	2.0	2.0	2.0	2.0	4.0
Макс. крутящий момент (мягкая посадка / жесткая посадка) [Нм]	25/50	30/55	35/60	35/60	35/60	50/80
Диапазон зажима сверлильного патрона [мм] [дюймы]	0,8-10 1/32"-25/64"	0,8-10 1/32"-25/64"	0,8-13 5/64"-1/2"	0,8-10 5/64"-1/2"	0,8-10 5/64"-1/2"	0,8-13 5/64"-1/2"
Макс. диаметр сверления:						
- сталь [мм] [дюймы]	10 25/64"	13 33/64"	13 33/64"	13 33/64"	10 33/64"	13 33/64"
- дерево [мм] [дюймы]	35 1-1/2"	35 1-1/2"	40 1-37/64"	40 1-37/64"	40 1-37/64"	40 1-37/64"
Макс. диаметр закручиваемых шурупов [мм] [дюймы]	8 5/16"	8 5/16"	8 5/16"	8 5/16"	8 5/16"	8 5/16"
Вес [кг] [фунты]	1.57 2.21	1.58 2.21	1.6 2.21	1.83 2.21	1.9 2.3	1.83 2.21
Звуковое давление [дБ(А)]	69,23	69,23	69,23	69,13	69,13	69,23
Вибрация [дБ(А)]	80,23	80,23	80,23	79,1	79,1	80,23
Акустическая мощность [м/с <sup>2</sup> ]	1,29	1,29	1,29	1,29	1,29	1,29

## Информация о шуме



Носить приспособление для защиты органов слуха при уровне звукового давления свыше 85 дБ(А).



**ПРЕДУПРЕЖДЕНИЕ** - Чтобы снизить риск получения травм, пользователь должен ознакомиться с руководством по эксплуатации!

## Общие правила техники безопасности



**ПРЕДУПРЕЖДЕНИЕ!** Внимательно изучите все предупреждения о технике безопасности и инструкции, пояснительные рисунки и спецификации, поставляемые вместе с электроинструментом. Несоблюдение предупреждений и инструкций может привести к поражению электрическим током, возгоранию и / или серьезной травме.

**Сохраните все предупреждения и инструкции для дальнейшего использования.**

Термин "электроинструмент", используемый в тексте предупреждений, относится к электроинструменту с питанием от электросети (проводной) или электроинструменту с питанием от аккумулятора (беспроводной).

### Безопасность рабочего места

- Рабочее место должно быть чистым и хорошо освещенным. В захламленных или темных местах вероятны несчастные случаи.
- **Не используйте электроинструменты во взрывоопасных средах, например, в присутствии легковоспламеняющихся жидкостей, газов или пыли.** Электроинструменты создают искры, которые могут стать причиной воспламенения пыли или паров.
- **Во время работы электроинструмента не допускайте присутствия детей и других лиц.** Отвлечение внимания может привести к потере контроля.

### Рекомендации по электробезопасности

- Вилки электроинструмента должны соответствовать розетке. Никогда не вносите изменения в конструкцию вилки. Не используйте адаптеры с заземленными электроинструментами. Вилки оригинальной конструкции и соответствующие розетки уменьшают риск поражения электрическим током.
- Избегайте контакта с заземленными поверхностями, такими как трубы, радиаторы, плиты и холодильники. Это повышает риск поражения электрическим током.
- Не подвергайте электроинструмент воздействию дождя или влаги. Попадание воды внутрь электроинструмента повышает риск поражения электрическим током.
- **Не используйте токоведущий кабель в целях, для которых он не предназначен.** Никогда не используйте кабель для переноски электроинструмента, подтягивания электроинструмента к

себе, или для выключения электроинструмента рывком за токоведущий кабель. Оберегайте токоведущий кабель от нагревания, нефтепродуктов, острых кромок или движущихся частей электроинструмента. Поврежденный или спутанный токоведущий кабель увеличивает опасность поражения электрическим током.

- **При работах на открытом воздухе, используйте удлинительные кабели, предназначенные для наружных работ, это снижает опасность поражения электрическим током.**
- **Если нельзя избежать работы электроинструмента на участке с повышенной влажностью, используйте устройство защитного отключения (УЗО).** Использование УЗО снижает риск поражения электрическим током. **ПРИМЕЧАНИЕ!** Термин "УЗО (RCD)" может быть заменен термином "устройство защитного отключения (GFCI)" или "автоматический выключатель с функцией защиты от тока утечки (ELCB)".
- **Предупреждение!** Никогда не прикасайтесь к открытым металлическим поверхностям редуктора, защитного кожуха и т.д., так как металлические поверхности воздействуют электромагнитные волны и касание к ним может привести к травме или несчастному случаю.

### Рекомендации по личной безопасности

- **Будьте бдительными, следите за тем, что вы делаете, и при работе с электроинструментом руководствуйтесь здравым смыслом.** Не используйте электроинструмент, если вы устали или находитесь под воздействием наркотических средств, алкоголя или лекарств. Ослабление внимания при работе с электроинструментом может привести к серьезной травме.
- **Используйте средства индивидуальной защиты.** Всегда надевайте защитные очки. Средства индивидуальной защиты, такие как пылезащитная маска, нескользящая защитная обувь, каска или средства защиты органов слуха, которые используются в соответствующих условиях, уменьшают вероятность получения травм.
- **Не допускайте непреднамеренного запуска электроинструмента.** Перед подключением к источнику питания и / или аккумулятору, поднятием или переносом электроинструмента убедитесь, что выключатель / выключатель находится в выключенном состоянии. Перемещение электроинструмента, когда палец находится на выключателе / выключателе, или включение питания электроинструментов с включенным выключателем / выключателем может стать причиной несчастного случая.
- **Перед включением, необходимо убрать из вращающихся частей электроинструмента все дополнительные ключи и приспособления.** Ключ, оставленный во вращающейся части электроинструмента, может быть причиной серьезных травм.
- **Не предпринимайте чрезмерных усилий.** Всегда сохраняйте устойчивое положение и равновесие. Это позволяет лучше контролировать электроинструмент в непредвиденных ситуациях.
- **Носите соответствующую одежду.** Не надевайте свободную одежду или украшения. Держите волосы, одежду и перчатки вдали от дви-

жущихся деталей. Свободная одежда, украшения или длинные волосы могут быть захвачены подвижными частями электроинструмента, что станет причиной серьезных травм.

- Если в конструкции электроинструмента предусмотрена возможность для подключения пылеулавливающих и пылесборных устройств, убедитесь, что они подключены и правильно используются. Использование таких устройств уменьшает опасности, связанные с накоплением пыли.

- Всегда будьте осторожны, не игнорируйте принципы безопасной работы с электроинструментом из-за знаний и опыта, полученных вследствие частого пользования электроинструментом. Неосторожное действие может незамедлительно привести к серьезным травмам.

- **Предупреждение!** Во время работы электроинструменты могут создавать электромагнитное поле. При определенных обстоятельствах такое поле может создавать помехи активным или пассивным медицинскими имплантатами. Чтобы снизить риск серьезной или смертельной травмы, перед использованием электроинструмента рекомендуем людям с медицинскими имплантатами проконсультироваться с врачом и изготовителем медицинского имплантата.

## Использование и обслуживание электроинструмента

- Люди с недостаточными психофизическими или умственными способностями и дети не могут управлять электроинструментом, если человек, ответственный за их безопасность, не контролирует их или не инструктирует об использовании электроинструмента.

- **Не перегружайте электроинструмент. Используйте электроинструмент, который соответствует вашей цели применения.** Соответствующий электроинструмент будет работать лучше и безопаснее с той производительностью, для которой он был спроектирован.

- **Не работайте электроинструментом с неисправным выключателем / выключателем.** Электроинструмент, включение / выключение которого, не может контролироваться представляет опасность и должен быть немедленно отремонтирован.

- **Перед выполнением каких-либо настроек, сменой принадлежности или хранением электроинструментов - отсоедините вилку от источника питания и / или аккумулятор от электроинструмента.** Эти меры безопасности снижают риск случайного запуска электроинструмента.

- **Храните неиспользуемые электроинструменты в недоступном для детей месте и не разрешайте лицам, которые не ознакомились с электроинструментом или этими инструкциями, использовать электроинструмент.** Электроинструменты опасны в руках неподготовленных пользователей.

- Следите за состоянием электроинструмента. Проверьте осевое биение и надежность соединения подвижных деталей, а также любые неисправности, которые могут вывести электроинструмент из строя. Неисправный

электроинструмент необходимо отремонтировать перед использованием. Многие несчастные случаи возникают из-за плохого состояния электроинструмента.

- **Режущие инструменты должны содержаться в чистоте и быть хорошо заточенными.** Правильно установленные режущие инструменты с острыми режущими кромками уменьшают возможность заклинивания и облегчают управление электроинструментом.

- **Используйте электроинструмент, принадлежность, насадки и т.п. в соответствии с инструкциями, принимая во внимание условия работы и выполняемые работы.** Использование электроинструмента для операций, для которых он не предназначен, может привести к опасной ситуации.

- **Поддерживайте рукоятки и поверхности захвата сухими, чистыми и свободными от масла и смазки.** Скользкие рукоятки и поверхности захвата препятствуют безопасному обращению с электроинструментом и управлению им в неожиданных ситуациях.

- Обратите внимание, что при работе с электроинструментом необходимо правильно держать вспомогательную рукоятку; выполнение этого требования облегчает управление электроинструментом. Таким образом, правильное удержание электроинструмента может снизить риск несчастных случаев или травм.

## Эксплуатация и обслуживание аккумуляторного инструмента

- **Заряжайте только при помощи зарядного устройства, рекомендованного производителем.** Зарядное устройство, предназначенное для аккумулятора определенного типа, при использовании с аккумулятором другого типа может стать причиной возгорания.

- **Используйте электроинструменты только с предназначенными для них аккумуляторами.** Использование других аккумуляторов может привести к риску получения травмы и возгорания.

- **Когда аккумулятор не используется, не храните его рядом с такими металлическими предметами, как канцелярские скрепки, монеты, ключи, гвозди, шурупы и другие небольшие металлические предметы, которые являются проводниками тока.** Замыкание контактов аккумулятора может привести к возгоранию или пожару.

- **При неправильном обращении может произойти утечка жидкости, находящейся внутри аккумулятора; не допускайте контакта с такой жидкостью, в противном случае промойте место контакта водой.** При попадании жидкости в глаза немедленно обратитесь за медицинской помощью. Жидкость, находящаяся в аккумуляторе, может стать причиной раздражения или химических ожогов.

- **Не допускайте самопроизвольного включения.** Перед установкой аккумулятора убедитесь, что выключатель / выключатель находится в положении "выключено". При перемещении электроинструмента убедитесь, что ваш палец не находится на выключателе / выключателе; кроме

того, не устанавливайте аккумулятор в электроинструмент, если выключатель находится в положении "включено" - невыполнение этих условий может привести к несчастному случаю.

- **Не разбирайте аккумулятор.** Имеется риск короткого замыкания.
- **Повреждение аккумулятора или его неправильное использование может привести к выделению паров.** Обеспечьте доступ свежего воздуха в помещении; при наличии жалоб обратитесь за медицинской помощью. Испарения могут вызывать раздражение дыхательной системы.
- **При повреждении аккумулятора жидкость может вытечь и попасть на находящиеся рядом детали.** Проверьте состояние таких деталей. Очистите их от жидкости или, при необходимости, замените.
- **Не допускайте перегрева аккумулятора, например, вследствие длительного воздействия солнечных лучей или огня.** Невыполнение этого условия может стать причиной взрыва аккумулятора.



### **ВНИМАНИЕ! Прочтите все инструкции и рекомендации по безопасности.**

- **Оберегайте зарядное устройство от воздействия дождя и влаги.** Попадание воды в зарядное устройство увеличивает риск поражения электрическим током.
- **Используйте зарядное устройство для зарядки аккумуляторов только рекомендованного типа.** Данное зарядное устройство предназначено для зарядки только литий - ионных аккумуляторов в пределах указанного диапазона напряжения. При невыполнении этого требования существует опасность возгорания и взрыва.
- **Не допускайте загрязнения зарядного устройства.** Наличие грязи может привести к поражению электрическим током.
- **Перед использованием, каждый раз проверяйте состояние зарядного устройства, кабеля и разъемов. Не используйте зарядное устройство, имеющее какие-либо неисправности. Не разбирайте зарядное устройство самостоятельно, ремонт и обслуживание должны проводиться только квалифицированным персоналом с использованием оригинальных запчастей.** Повреждения зарядного устройства, кабеля и разъемов увеличивает риск поражения электрическим током.
- **Не используйте зарядное устройство на легко возгораемых поверхностях (например, на бумаге, тканях и т.д.) или в пожароопасной среде.** Во время процесса зарядки зарядное устройство нагревается и невыполнение этих требований может привести к возгоранию.

### **Техническое обслуживание**

- **Обслуживание Вашего электроинструмента должно производиться квалифицированными специалистами с использованием рекомендованных запасных частей.** Это дает гарантию, того что безопасность Вашего электроинструмента будет сохранена.

- Соблюдайте инструкции по смазке, а также рекомендации по замене аксессуаров.

## **Особые указания по технике безопасности**

- **При выполнении операций, при которых режущая принадлежность может задеть скрытую электропроводку или собственный кабель, держите электроинструмент только за рукоятки с изолированной поверхностью.** Касание режущей принадлежностью провода под напряжением, может привести к появлению напряжения в металлических частях электроинструмента и стать причиной поражения оператора электрическим током.
- **Используйте средства защиты органов слуха.** При воздействии шума вероятно потеря слуха.

## **Правила техники безопасности при эксплуатации электроинструмента**

- **Закрепите обрабатываемую заготовку.** Для этого используйте фиксирующие устройства или тиски, это является более надежным, чем удержание обрабатываемой заготовки руками.
- **Асбест является канцерогенным материалом, поэтому запрещается обрабатывать асбестосодержащие заготовки.**
- **Электроинструмент можно класть только после полной остановки его движущихся элементов.** Установленная принадлежность может быть зажата во время работы, что приведет к потере управления электроинструментом.
- **Для определения положения скрытой электропроводки используйте подходящий детектор, либо получите эту информацию в соответствующих организациях.** Повреждение сверлом скрытой электропроводки может привести к возгоранию и поражению электрическим током. Повреждение газовой трубы может стать причиной взрыва. Повреждение водопроводных труб может нанести материальный ущерб.
- **В случае зажатия установленной принадлежности, отключите электроинструмент и сохраняйте спокойствие.** В это время электроинструмент производит чрезвычайно сильный реактивный крутящий момент, что приводит к отдаче. Принадлежности могут быть зажаты, например, из-за чрезмерного усилия нажатия или перекоса принадлежности во время работы.
- **При выполнении операций, при которых режущая принадлежность может задеть скрытую электропроводку или собственный кабель, держите электроинструмент только за рукоятки с изолированной поверхностью.** Касание режущей принадлежностью провода под напряжением, может привести к появлению напряжения в металлических частях электроинструмента и стать причиной поражения оператора электрическим током.
- **Во время работы крепко удерживайте электроинструмент руками и сохраняйте равновесие.**
- **При работе и использовании электроинструмента удерживайте выключатель / выключатель на главной рукоятке.**

- Избегайте остановки двигателя электроинструмента под нагрузкой.
- Запрещается удалять стружку, при включенном двигателе электроинструмента.
- Для более простой эксплуатации электроинструмента используйте только острые сверла без дефектов.
- Изменение конструкции сверл, а также использование съёмных насадок и приспособлений, не предусмотренных для данного электроинструмента, запрещается.
- При работе не оказывайте чрезмерного давления на электроинструмент это может привести к заклиниванию сверла, и перегрузке двигателя.
- Не допускайте заклинивания свёрл в обрабатываемом материале. В случае, если это произошло, не пытайтесь высвободить их с помощью двигателя электроинструмента. Это может привести к выходу его из строя.
- Запрещается выбивать сверла, застрявшие в обрабатываемом материале, при помощи молотка или других предметов - отколовшиеся частицы металла могут нанести повреждения, как работающему, так и находящимся вблизи людям.
- Не допускайте перегрева электроинструмента при длительном использовании.

## Символы, используемые в инструкции

В руководстве по эксплуатации используются нижеприведенные символы, запомните их значение. Правильная интерпретация символов поможет использовать электроинструмент правильно и безопасно.

Символ	Значение
	<b>Аккумуляторная дрель / шуруповёрт</b> Участки, обозначенные серым цветом мягкая накладка (с изолированной поверхностью).
	<b>Наклейка с серийным номером:</b> XXXX - дата производства; XXXXX - модель; XXXXX - серийный номер.
	Ознакомьтесь со всеми указаниями по технике безопасности и инструкциями.
	Носите защитные очки.

Символ	Значение
	Носите пылезащитную маску.
	Не нагревайте аккумулятор выше 45°C. Предотвращайте от длительного воздействия прямых солнечных лучей.
	Не выбрасывайте аккумулятор в бытовой мусор.
	Не бросайте аккумулятор в огонь.
	Не допускайте попадания аккумулятора под дождь.
	Время зарядки аккумулятора.
	Направление движения.
	Направление вращения.
	Заблокировано.
	Разблокировано.
	Внимание. Важная информация.
	Полезная информация.
	Носите защитные перчатки.
	Положение регулятора крутящего момента: "Сверление".
	Бесступенчатая регулировка скорости.

Символ

Значение



Не выбрасывайте электроинструмент в бытовой мусор.

## Назначение электроинструмента

Аккумуляторные дрели / шуруповерты предназначены для сверления отверстий в древесине, пластике, металле, а также для откручивания и закручивания резьбовых крепежных элементов (шурупов, винтов и пр.).

## Элементы устройства электроинструмента

- 1 Быстрозажимной сверлильный патрон
- 2 Аккумулятор \*
- 3 Фиксатор аккумулятора \* (для моделей AD-18, 2S/AD-DF18DW/S)
- 4 LED фонарь
- 5 Регулятор крутящего момента
- 6 Ступенчатый переключатель скорости
- 7 Включатель / выключатель
- 8 Переключатель реверса
- 9 Вентиляционные отверстия
- 10 Ремешок \*
- 11 Скоба для ношения на ремне \*
- 12 Отвертка-вставка \*
- 13 Блок питания \*
- 14 Зарядное устройство \*
- 15 Винт
- 16 Магнитный держатель \*
- 17 Индикатор зарядного устройства \*
- 18 Индикаторы степени заряда аккумулятора \*
- 19 Индикатор (красный) \*
- 20 Индикатор (зеленый) \*
- 21 Наклейка зарядного устройства \*
- 22 Кнопка проверки степени заряда аккумулятора \*
- 23 Редуктор эксцентриковый (насадка)\*\*
- 24 Патрон сверлильный (насадка)\*\*
- 25 Редуктор угловой (насадка)\*\*
- 26 Насадка под биты (насадка)\*\*

\* Принадлежности

Перечисленные, а также изображенные принадлежности, частично не входят в комплект поставки.

\*\* В комплекте поставляется только для модели AD-2150QBL

## Монтаж и регулировка элементов электроинструмента

Перед проведением всех процедур установите переключатель реверса 8 в среднее положение.



Не затягивайте слишком сильно крепежные элементы, чтобы не повредить их резьбу.



Монтаж / демонтаж / настройка некоторых элементов аналогична для всех моделей электроинструментов, в этом случае на пояснительном рисунке конкретная модель не указывается.

Установка / замена принадлежностей (см. рис. 1)



При длительном использовании сверло может сильно нагреться - извлекайте его, надев перчатки.

- Разведите кулачки быстрозажимного патрона 1, вращая его переднюю часть, как показано на рисунке 1.
- Установите / замените принадлежность.
- Не допуская перекоса принадлежности, затяните быстрозажимной патрон 1, как показано на рисунке 1.

Монтаж / демонтаж быстрозажимного патрона (см. рис. 2-3)

- Для монтажа быстрозажимного патрона 1 последовательно произведите операции, показанные на рисунке 2.
- Для демонтажа быстрозажимного патрона 1 последовательно произведите операции, показанные на рисунке 3.



Внимание: при монтаже / демонтаже быстрозажимного патрона 1 учитывайте, что винт 15 имеет левую резьбу.

Отвертки-вставки и магнитный держатель (см. рис. 4)

При использовании коротких отверток-вставок, для их надежной фиксации, используйте магнитный держатель 16 (см. рис. 4).

При использовании удлиненных отверток-вставок 12 (предназначенных специально для шуруповертов) магнитный держатель 16 не требуется.

## Зарядка аккумулятора электроинструмента



Внимание! Категорически запрещено работать электроинструментом во время зарядки.

Ввод в эксплуатацию электроинструмента

Электроинструмент поставляется с частично заряженным аккумулятором 2. Перед первым использованием обязательно произведите полную зарядку аккумулятора 2.

Процесс зарядки (см. рис. 5-7)

- Установите переключатель реверса 8 в среднее положение.
- Нажмите на фиксатор 3 (для AD-12.2A/12.14B/1660BL два фиксатора 3) и снимите аккумулятор 2 (см. рис. 5 - 7).

#### [AD-12.2A/12.14B/AD-1660BL/AD-1665BL]

- Подключите блок питания **13** к зарядному устройству **14** (см. рис. 5).
- Подключите блок питания **13** к сети.
- Вставьте аккумулятор **2** в зарядное устройство **14** (см. рис. 5).
- Извлеките аккумулятор **2** из зарядного устройства **14** и установите аккумулятор **2** в электроинструмент.
- Отключите блок питания **13** от сети.

#### [ AD-18.2/18.21B ]

- Вставьте штекер блока питания **13** в аккумулятор **2** (см. рис.6).
- Подключите блок питания **13** к сети.
- Отключите блок питания **13** от сети.
- Отключите аккумулятор **2** от блока питания **13** и установите аккумулятор **2** в электроинструмент.

#### [ AD-DF18DW/AD-2150QBL/AD-2150BL/2155BL/AD-2160BL/AD-2180/AD-2151BL ]

- Вставьте аккумулятор **2** в зарядное устройство **14** (см. рис. 7).
- Подключите зарядное устройство **14** к сети.
- Отключите зарядное устройство **14** от сети.
- Извлеките аккумулятор **2** из зарядного устройства **14** и установите аккумулятор **2** в электроинструмент.

**Индикаторы процесса зарядки (см. рис. 5-7)**

#### [AD-12.2A/12.14B/AD-1660BL/AD-1665BL]

Индикатор **17** (зарядного устройства **14**) информирует о ходе процесса зарядки аккумулятора **2** (см. рис. 5).

- Индикатор **17** светится зелеными цветом, аккумулятор **2** не вставлен в зарядное устройство **14** - зарядное устройство **14** и блок питания **13** подключены к сети (состояние готовности к зарядке).
- Индикатор **17** светится красным цветом, аккумулятор **2** вставлен в зарядное устройство **14** - идет процесс зарядки аккумулятора **2**.
- Индикатор **17** светится зелеными цветом, аккумулятор **2** вставлен в зарядное устройство **14** - аккумулятор **2** полностью заряжен.
- Индикатор **17** светится красным цветом (мигает), аккумулятор **2** вставлен в зарядное устройство **14** - процесс зарядки аккумулятора **2** остановлен из-за его неисправности. Замените неисправный аккумулятор **2**, его дальнейшее использование запрещено.

#### [ AD-18.2/18.21B ]

- Индикаторы **18** (аккумулятора **2**) информируют о ходе процесса зарядки аккумулятора **2** (см. рис. 6).
- Блок питания **13** подключен к аккумулятору **2**, индикаторы **18** по очереди светятся красным цветом - идет процесс зарядки аккумулятора **2**.
  - Блок питания **13** подключен к аккумулятору **2**, все индикаторы **18** светятся красным цветом - аккумулятор **2** полностью заряжен. Через некоторое время индикаторы **18** выключатся для экономии энергии.
  - Блок питания **13** подключен к аккумулятору **2**, индикаторы **18** не светятся - процесс зарядки аккумулятора **2** остановлен из-за его неисправности. Замените неисправный аккумулятор **2**, его дальнейшее использование запрещено.

#### [ AD-DF18DW/AD-2150QBL/AD-2150BL/2155BL/AD-2160BL/AD-2180 ]

Индикаторы зарядного устройства **19** и **20** информируют о ходе процесса зарядки аккумулятора **2**. Информация о значениях сигналов индикаторов **19** и **20** представлена на наклейке **21** (см. рис. 9.1-9.3).

- Рис. 9.1 - (зеленый индикатор **20** светится, аккумулятор **2** не вставлен в зарядное устройство **14**) - зарядное устройство **14** подключено к сети (состояние готовности к зарядке).
- Рис. 9.2 - (красный индикатор **19** светится, аккумулятор **2** вставлен в зарядное устройство **14**) - идет процесс зарядки аккумулятора **2**.
- Рис. 9.3 - (зеленый индикатор **20** светится, аккумулятор **2** вставлен в зарядное устройство **14**) - аккумулятор **2** полностью заряжен.



**В процессе зарядки аккумулятора **2** и зарядного устройства **14** нагреваются - это нормально.**

#### **Включение / выключение электроинструмента**

**Убедитесь, что переключатель реверса **8** не находится в среднем положении, так как в этом случае включатель / выключатель **7** заблокирован.**

**Включение:**

Нажмите включатель / выключатель **7**.

**Выключение:**

Отпустите включатель / выключатель **7**.

#### **Конструктивные особенности электроинструмента**

##### **Аккумулятор (см. рис. 10-11)**

Аккумулятор **2** имеет систему защиты от глубокого разряда. При полном разряде аккумулятора **2** электроинструмент автоматически выключается. **Внимание: не пытайтесь включать электроинструмент при срабатывании защиты - вы можете повредить аккумулятор **2**.**

#### [ AD-18.2/18.21B/ AD-DF18DW/AD-2150QBL/AD-2150BL/2155BL/ AD-2160BL/AD-2180/AD-2151BL ]

При нажатии на кнопку **22** индикаторы **18** показывают степень зарядки аккумулятора **2** (см. рис. 10-11). Если при нажатии кнопки **22**, индикаторы **18** не светятся, причины могут быть следующие:

- батарея **2** полностью разряжена (процесс зарядки батареи **2** будет происходить в нормальном режиме);
- батарея **2** повреждена (невозможно зарядить батарею **2**, необходимо заменить ее);
- температура батареи **2** слишком высокая или слишком низкая (необходимо нормализовать температуру, после чего процесс зарядки батареи **2** будет происходить в нормальном режиме).

## Температурная защита

Температурная защита автоматически отключает электроинструмент при чрезмерной нагрузке, либо если температура аккумулятора **2** превышает 70°C. Это защищает электроинструмент от повреждения при несоблюдении условий эксплуатации.

## LED фонарь

При нажатии выключателя / выключателя **7**, автоматически включается LED фонарь **4**, который позволяет вести работы в условиях недостаточной освещенности.

## Регулятор крутящего момента

Вращайте регулятор **5**, чтобы установить одно из значений крутящего момента, наиболее подходящее для выполняемой работы.



При сверлении, рекомендуется устанавливать регулятор крутящего момента **5** в положение "Сверление".

## Бесступенчатая регулировка скорости



Изменение оборотов от 0 до максимума, зависит от силы нажатия на выключатель / выключатель **7**. Слабый нажим соответствует малому числу оборотов - это позволяет плавно включать электроинструмент.

## Ступенчатый регулятор скорости



**Внимание: изменение диапазона оборотов производите только после полной остановки двигателя.**

Для включения скорости "1" переместите переключатель **5** назад. Этот режим применяется для закручивания шурупов или для сверления отверстий большого диаметра.

Для включения скорости "2" переместите переключатель **5** вперед. Этот режим применяется для скоростного сверления отверстий малого диаметра.

## Реверс (см. рис. 12)



**Изменяйте направление вращения только после полной остановки двигателя, в противном случае вы можете повредить электроинструмент.**

**Вращение вправо** (сверление, вкручивание шурупов) - переключатель реверса **8** переместите влево, как показано на рисунке 12.1.

**Вращение влево** (выкручивание шурупов) - переключатель реверса **8** переместите вправо, как показано на рисунке 12.2.

## Тормоз выбега

Тормоз выбега останавливает быстрозажимной патрон **1** сразу после выключения электроинстру-

мента. Это исключает слишком сильную затяжку винтов и шурупов, предохраняет от повреждения заготовки, отвертки-вставки и шлицы крепежных элементов.

## Рекомендации при работе электроинструментом

### Сверление (см. рис. 13-14)

- При сверлении отверстий в металлах периодически смазывайте сверло (исключая сверление в цветных металлах и их сплавах).
- При сверлении твердых металлов сильнее нажимайте на электроинструмент и понижайте число оборотов.
- При сверлении в металле отверстия большого диаметра сначала просверлите отверстие меньшего диаметра, после чего рассверлите его до требуемого диаметра (см. рис. 13.1).
- При сверлении отверстий в древесине для предотвращения расщепления поверхности в месте выхода сверла выполните действия, показанные на рисунке 13.2.
- Чтобы уменьшить пылеобразование при сверлении отверстий в стенах и потолках, примите меры, показанные на рис. 14.

### Вкручивание шурупов (см. рис. 15)

- Для облегчения вкручивания шурупа и предотвращения появления трещин в заготовке предварительно просверлите отверстие диаметр которого составляет 2/3 от диаметра шурупа.
- Если вы соединяете заготовки при помощи шурупов, для того чтобы получить надежное соединение, без возникновения в заготовках трещин, сколов или расслоений, выполните действия, показанные на рисунке 15.

## Обслуживание / профилактика электроинструмента

**Перед проведением всех процедур установите переключатель реверса **8** в среднее положение.**

### Рекомендации по эксплуатации аккумулятора

- Своевременно заряжайте аккумулятор **2**, не дожидаясь его полной разрядки. Если при работе наблюдается падение мощности, необходимо прервать работу и зарядить аккумулятор **2**.
- Не заряжайте полностью заряженный аккумулятор **2**, это сократит срок его службы.
- Заряжайте аккумулятор **2** при температуре 10°C - 40°C (50°F - 104°F).
- Если электроинструмент не используется длительное время, заряжайте аккумулятор **2** раза в 6 месяцев.
- Своевременно заменяйте аккумуляторы, выработавшие свой ресурс. Падение производительности или значительное сокращение времени работы электроинструментом после зарядки указывает на старение аккумулятора **2** и необходимость его за-

мены. Также следует учитывать, что аккумулятор 2 может разряжаться быстрее, если работы ведутся при температуре ниже 0°C.

- При длительном хранении без использования рекомендуется хранить аккумулятор 2 при комнатной температуре, заряженным на 50% .

### Чистка электроинструмента

Обязательным условием для долгосрочной и безопасной эксплуатации электроинструмента является содержание его в чистоте. Регулярно продувайте электроинструмент сжатым воздухом через вентиляционные отверстия 9.

### Послепродажное обслуживание

Ответы на вопросы по ремонту и обслуживанию вашего продукта вы можете получить в сервисных центрах.

## Транспортировка электроинструментов

- Не допускайте падения упаковки, а также любые механические воздействия на нее при транспортировке.
- При погрузке / разгрузке не используйте погрузочную технику, работающую по принципу зажима упаковок.

## Сведения о квалификации обслуживающего персонала

Работать с аппаратом разрешается только пользователям, которые прочитали инструкцию по эксплуатации. Ни в коем случае нельзя доверять управление устройством детям. Данный аппарат не предназначен для использования лицами с пониженными физическими, сенсорными или умственными способностями или при отсутствия у них жизненного опыта или знаний. Ремонты должны производить только квалифицированными специалистами в авторизованных сервисных центрах.

## Критерии предельных состояний

Критериями предельного состояния изделия считаются поломки (износ, коррозия, деформация, старение, трещины или разрушения) узлов и деталей или их совокупность при невозможности их устранения в условиях авторизованных сервисных центрах оригинальными деталями или экономическая нецелесообразность проведения ремонта. Устройство и его детали, вышедшие из строя и не подлежащие ремонту, необходимо сдать в специальные приёмные пункты по утилизации.

## Li-Ion аккумуляторы

На Li-Ion аккумуляторы распространяются специальные правила транспортировки опасных грузов. Нет необходимости соблюдения дополнительных норм только при перевозке аккумуляторов самим пользователем на автомобильном транспорте. Соблюдайте особые требования к упаковке и маркировке при перевозке с привлечением третьих лиц (напр.: самолетом). В этом случае, при подготовке груза к отправке, необходимо участие эксперта по опасным грузам.

Возможна отправка аккумуляторов только с неповрежденным корпусом. Необходимо изолировать открытые контакты и упаковать аккумулятор так, чтобы он не перемещался внутри упаковки. Также необходимо соблюдать дополнительные национальные предписания.

## Защита окружающей среды



**Вторичное использование сырья вместо утилизации мусора.**

Электроинструмент, дополнительные принадлежности и упаковку следует экологически чисто утилизировать.

В интересах чистосортной рециркуляции отходов детали из синтетических материалов соответственно обозначены.

Настоящее руководство по эксплуатации напечатано на бумаге, изготовленной из вторсырья без применения хлора.

## Гарантийные обязательства

Гарантийный срок на изделие составляет 1 год. Началом гарантийного срока изделия является дата продажи инструмента, а подтверждение - правильно заполненный гарантийный талон, наличие товарного чека или документа, заменяющего его.

Для осуществления гарантийного обслуживания Вам необходимо обратиться в сервисный центр, осуществляющий его ремонт; предоставить инструмент в чистом виде с указанием дефекта, в оригинальной упаковке, с инструкцией по эксплуатации и заполненным гарантийным талоном, а также товарным чеком или другим документом, заменяющим его.

Подробные условия гарантийного обслуживания и телефоны сервисных центров см. в в гарантийном талоне.

Срок службы изделия при правильной эксплуатации составляет 3 года.

Дата изготовления указывается отдельно, либо закодирована в серийном номере: первые 2 цифры - месяц, следующие - год изготовления.

*Изделие соответствует требованиям ТР ТС 004/2011 «О безопасности низковольтного оборудования», ТР ТС 010/2011 «О безопасности машин и оборудования», ТР ТС 020/2011 «Электромагнитная совместимость технических средств».*

**Оговаривается возможность внесения изменений.**



**PARTISAN INDUSTRY**

Chemin du Littoral, 13016

Marseille, France

Made in P.R.C.

**ИЗГОТОВИТЕЛЬ:**

YONGKANG POWERTEC IMPORT & EXPORT CO., LTD.;  
28th Floor, Jinbi Mansion, Hardware Headquarters Center,  
Yongkang, Zhejiang, Китай

Импортер в Республике Беларусь: ООО «ЭЛАНДБЕЛИМПОРТ»

г. Минск, ул. Будславская, 23/1, комн. 2

тел. +375 17 2342598

info@eland.by

www.eland.by



# **PARTISAN** INDUSTRY

АККУМУЛЯТОРНАЯ  
ДРЕЛЬ-ШУРУПОВЕРТ

AD-12.2A  
AD-12.14B  
AD-1660BL  
AD-1665BL  
AD-18.2  
AD-18.21B  
AD-DF18DW  
AD-2150QBL  
AD-2150BL  
AD-2151BL  
AD-2155BL  
AD-2160BL  
AD-2180BL

**PARTISAN**  
INDUSTRY

**PARTISAN INDUSTRY**  
Chemin du Littoral, 13016  
Marseille, France  
Made in P.R.C.

**EAC**