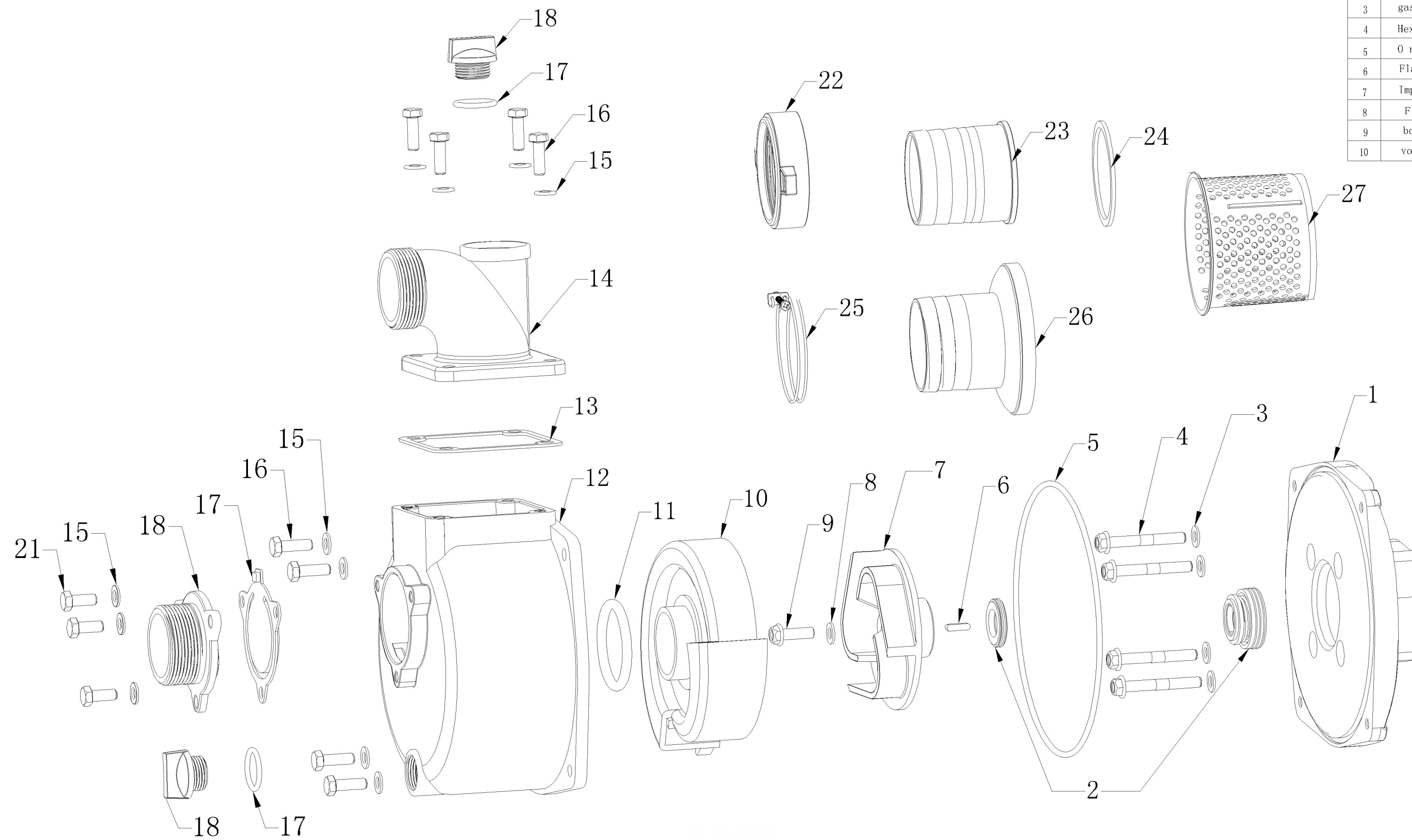
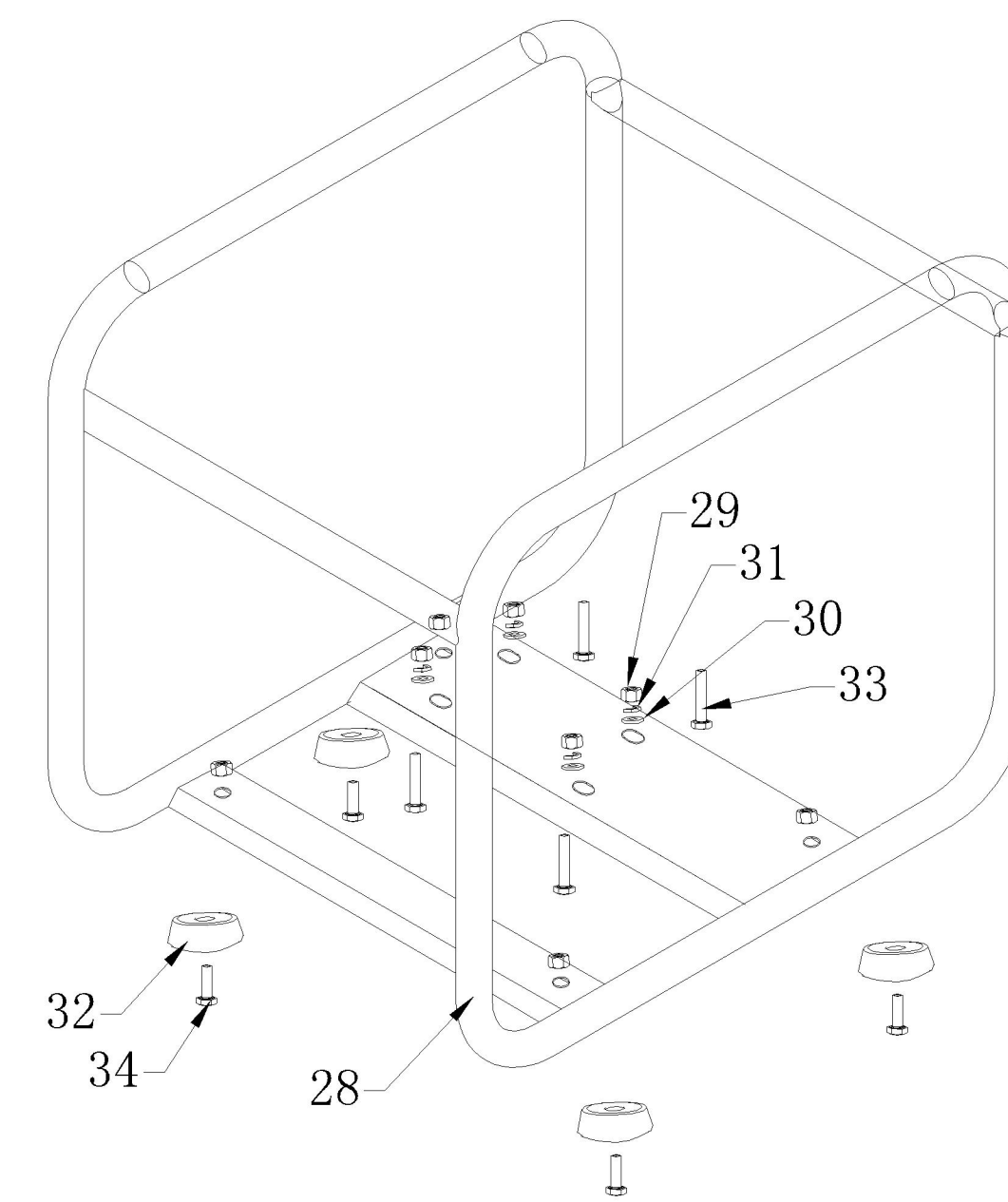


No	Name	Amount	No	Name	Amount	No	Name	Amount	No	Name	Amount
1	clip	2	31	Cooling fan	1	61	Air cleaner grid	1	91	Valve rocker arm	2
2	Tube	1	32	Fly wheel	1	62	Air cleaner elbow comp	1	92	Pivot bolt	2
3	Fuel tank joint	1	33	Side place	1	63	Flange bolt M6*25	3	93	Push rod guide plate	1
4	Fuel filler cap comp	1	34	Oil seal	2	64	ignitor	1	94	Push rod	2
5	Oil filter	1	35	Diode base comp	1	65	Dowel pin $\varnothing 10 \times 16$	2	95	Key	1
6	Fuel tank comp	1	36	Diode comp	1	66	Flange bolt M 8*55	4	96	Screw M5x8	4
7	Throttle return spring	1	37	Drain plug bolt	2	67	Carburetor washer	1	97	Muffler protector	1
8	Governor spring	1	38	Drain bolt washer	2	68	Choke level comp	1	98	Muffler comp	1
9	Governor arm	1	39	Crankcase	1	69	Carburetor assembly	1	99	Nut M8	2
10	Nut M6	5	40	Radial ball bearing 6205	2	70	Carburetor packing	1	100	Muffler packing	1
11	Lock pin	1	41	Oil level switch assy	1	71	Carburetor insulator	1	101	Stud bolt	2
12	Governor arm shaft	1	42	Governor weight holder	1	72	Insulator packing	1	102	Shroud comp	1
13	Governor rod	1	43	Governor weight pin	2	73	Stud bolt 6*113	2		First ring set	1
14	Flange bolt M6*12	13	44	Governor shaft	1	74	Breather tube	1	103	Second ring set	1
15	Governor arm bolt	1	45	Governor holder clip	1	75	Head over comp	1		Ring comp	1
16	Control assembly	1	46	Governor weight	2	76	Head over packing	1	104	Piston	1
17	Governor washer	2	47	Governor shaft washer	1	77	Valve rotator	1	105	Piston pin clip	2
18	Recoil starter knob	1	48	Governor cover	1	78	Intake valve spring retainer	1	106	Piston pin	1
19	Recoil starter comp	1	49	Crankshaft comp	1	79	Exhaust valve spring retainer	1	107	Connecting rod comp	1
20	Recoil starter spring	1	50	Case over packing	1	80	Valve spring	2	108	Oil filler cap	1
21	Recoil starter rope	1	51	Oil filler cap assembly	2	81	Spark plug	1			
22	Recoil starter reel	1	52	Oil filler cap packing	2	82	Cylinder head comp	1			
23	Return spring	2	53	Crankcase cover	1	83	Cylinder head gasket	1			
24	Starter ratchet	2	54	Flange bolt 8*32	6	84	Intake valve	1			
25	Ratchet guide	1	55	Flange bolt 6*8	5	85	Exhaust valve	1			
26	Setting screw	1	56	Air cleaner cover nut	2	86	Valve lifter	2			
27	Switch	1	57	Air cleaner cap	1	87	Camshaft assembly	1			
28	Fan cover comp	1	58	Air cleaner cap packing	1	88	Dowel pin 8*14	2			
29	Nut M14	1	59	Air cleaner cover	1	89	Pivot adjusting nut	2			
30	Start hub	1	60	Air cleaner element	1	90	Rocker arm pivot	2			



NO.	Name	Amount	NO.	Name	Amount	NO.	Name	Amount
1	Cover of pump(spray paint)	1	11	O rings—volute	1	21	hex flange bolt	
2	Water seal	1	12	pump of spray paint	1	22	spanner	
3	gasket	4	13	square gasket	1	23	connecting pipe	
4	Hex flange bolts Q axis	4	14	outlet water	1	24	connection spanner seal	
5	O rings—cover of pump	1	15	flat gasket	11	25	gasket	
6	Flat key Q axis	1	16	hex flange bolt	8	26	net cover	
7	Impeller Q axis	1	17	O rings—knob	2	27	net bar	
8	Flat gasket	1	18	knob	2			
9	bolt	1	19	slaped door	1			
10	volute	1	20	inlet spray paint	1			



NO.	Name	Amount
1	Engine- water pump standard	1
2	hex nut	8
3	flat gasket	4
4	spring gasket-middle	4
5	frame foot-small	4
6	hex head bolt M8x25	4
7	hex head bolt M8x25	4