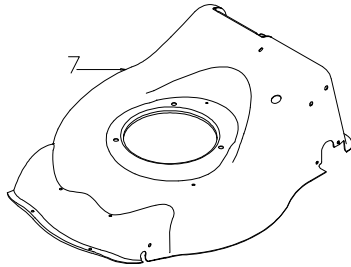
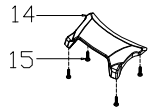
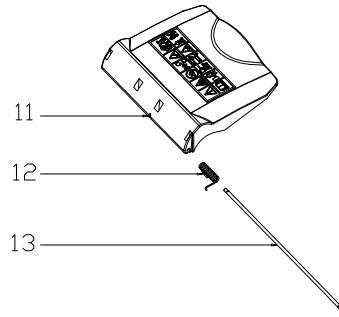
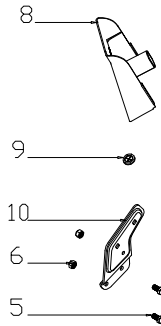
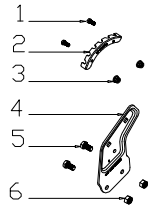
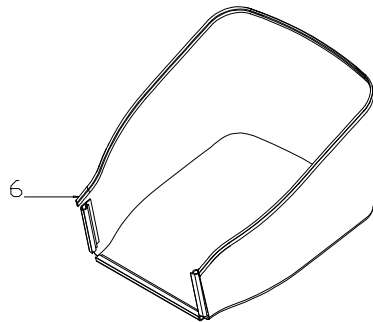
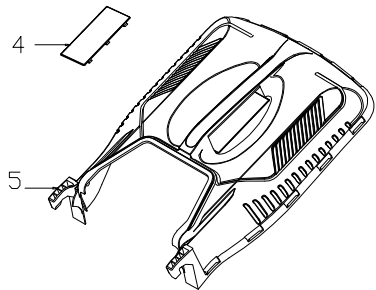
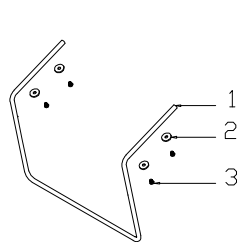


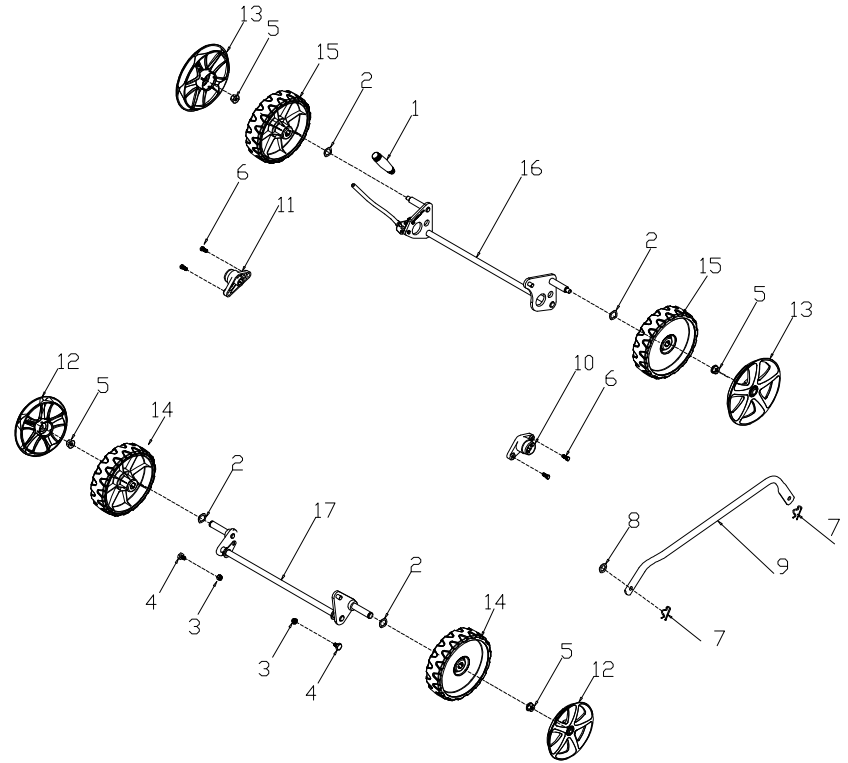
D



F



E



No.	Part name	Qty
A-1	Brake Lever	1
A-2	Limiting Stopper	1
A-3	Foam Pipe	1
A-4	Flat Washer	4
A-5	Knob	4
A-6	Handle Plug	2
A-7	Bolt	2
A-8	Bolt	2
A-9	Nut	2
A-10	Cable Support	1
A-11	Nut	1
A-12	Cable Fixing Clamp	1
A-13	Bolt	1
A-14	Brake Cable	1
A-15	Upper Handle	1
A-16	Lower handle	2
A-17	Bolt	2
A-18	Rope Guide	1
C-1	Engine	1
C-2	Bolt	3
C-3	Flat Key	1
C-4	Blade Adapter	1
C-5	Blade Washer	1
C-6	Blade Bolt	1
C-7	17" Blade	1
C-8	Screw	3
C-9	Engine Cover	1
C-10	Filtering Net Duct of Fuel	1
C-11	Oil Pipe Circlip I	1
D-1	Bolt	2
D-2	Height Adjustment Plate	1
D-3	Nut	2
D-4	Right Bracket	1
D-5	Bolt	4
D-6	Nut	4
D-7	Deck	1
D-8	Mulching Plug	1
D-9	Cable Sleeve	1
D-10	Left Bracket	1
D-11	Rear Cover	1
D-12	Rear Cover spring	1
D-13	Rear Cover Shaft	1
D-14	Front face	1
D-15	Screw	4
E-1	Height Adjustment Handle	1
E-2	Spring Washer	4
E-3	Nut	2
E-4	Bolt	2
E-5	Nut	4

E-6	Bolt	4
E-7	Split Pin	2
E-8	Flat Washer	1
E-9	Height Adjustment Connecting Rod	1
E-10	Shaft Sleeve	1
E-11	Shaft Sleeve	1
E-12	6" Outer Wheel Cover	2
E-13	7" Wheel Cover	2
E-14	6 inch wheel	2
E-15	7" Wheel	2
E-16	Rear Wheel Shaft Assy	1
E-17	Front Wheel Shaft	1
F-1	Metal Bracket	1
F-2	Flat Washer	4
F-3	Screw	4
F-4	Cover Plate	1
F-5	upper Cover	1
F-6	Fabric Bag	1