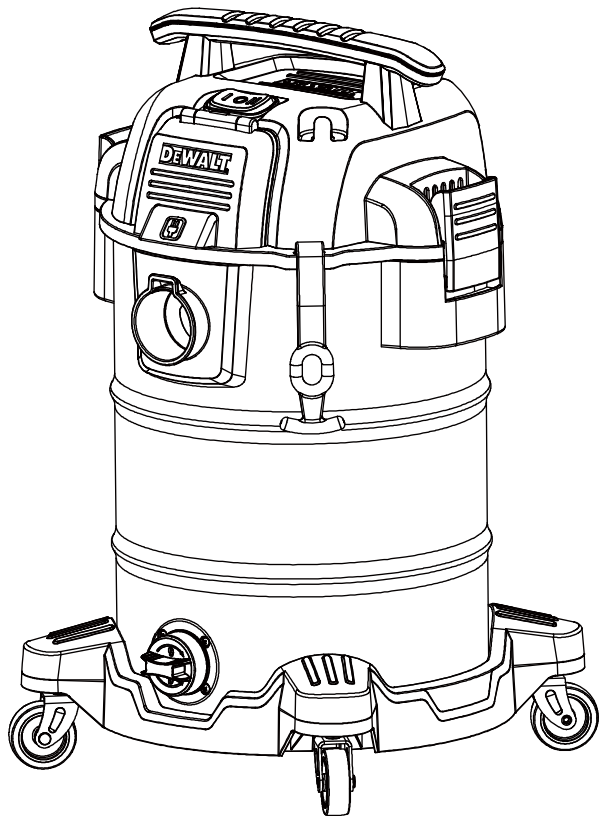


DEWALT®



www.DEWALT.com

DXV30SAPTA

English (original instructions)	5
Polski (oryginalne instrukcje)	11
Slovenščina (originalna navodila)	17
Bosanski (originalne upute)	23
Hrvatski (originalne upute)	29
Latviešu valoda (Oriģinalas instrukcijas tulkojums)	35
Eesti keel (Originaal juhiste tõlge).....	41
Lietuvių kalba (Originaliu instrukciju vertimas)	47
Srpski (originalne upute)	53
Български език (Превод на първоначалните инструкции)	59
Czech (originální pokyny)	66
Slovenčina (pôvodné pokyny).....	72
Українська (оригінальні інструкції)	78
Английский (оригинальная инструкция).....	84

Fig. A

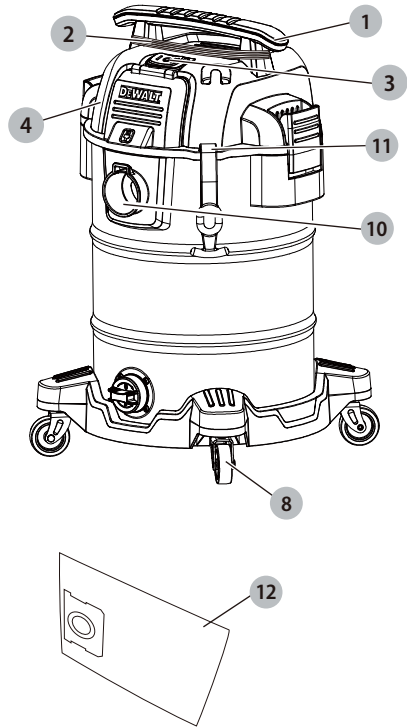
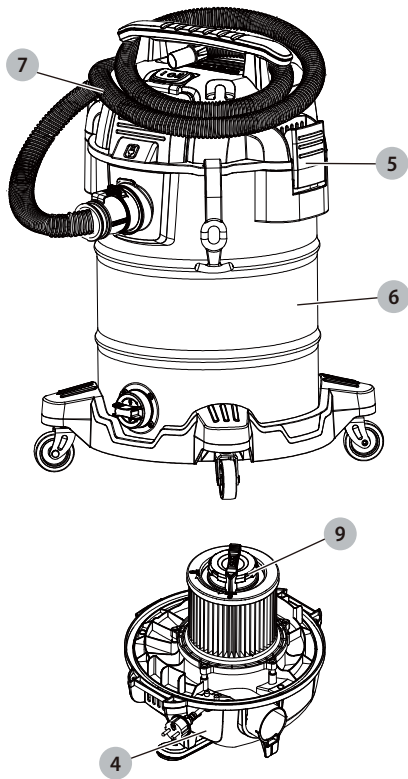


Fig. B

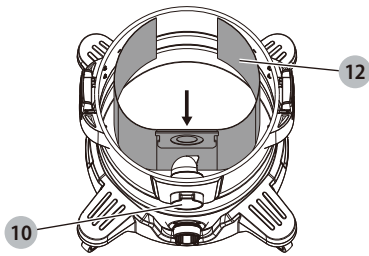


Fig. C

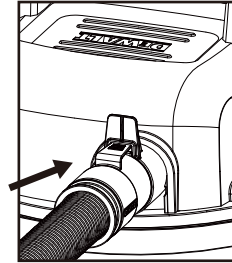


Fig. D

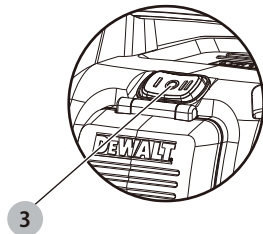


Fig. E

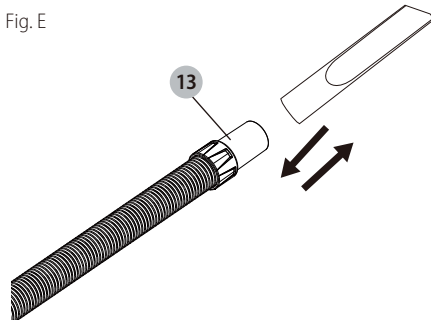


Fig. F

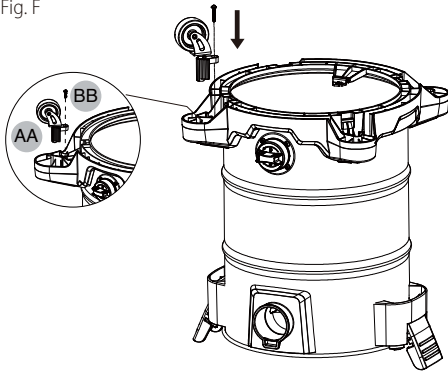


Fig. G

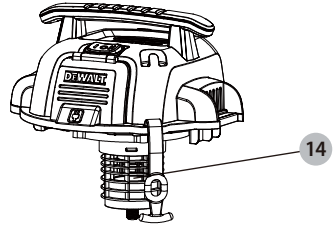


Fig. H

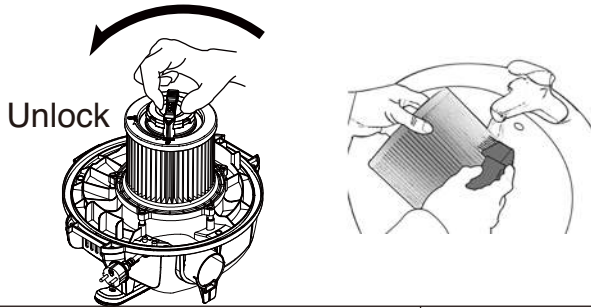


Fig. I

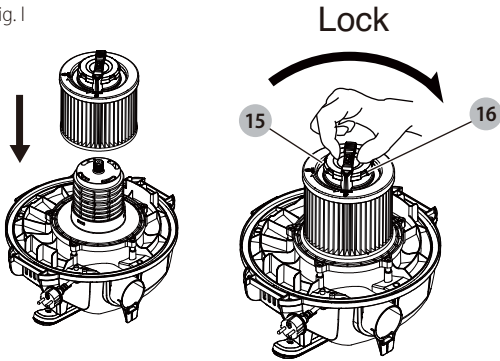


Fig. J

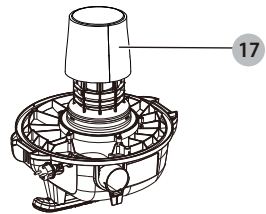


Fig. K

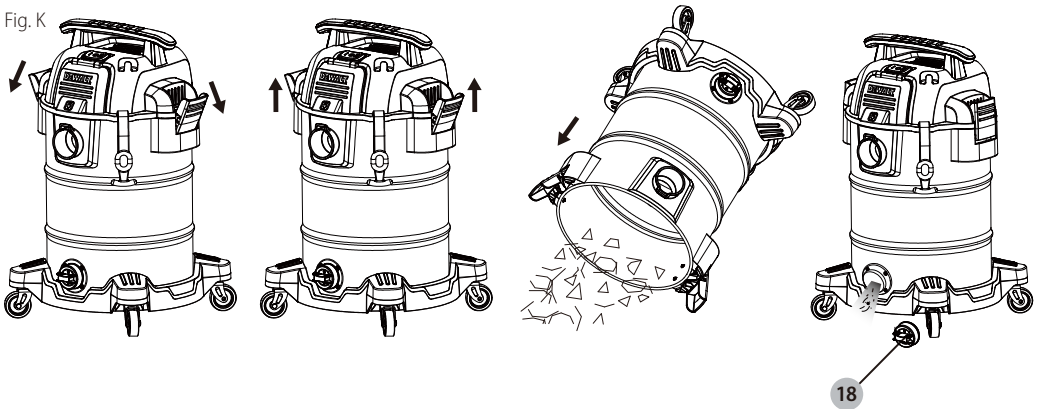


Fig. K

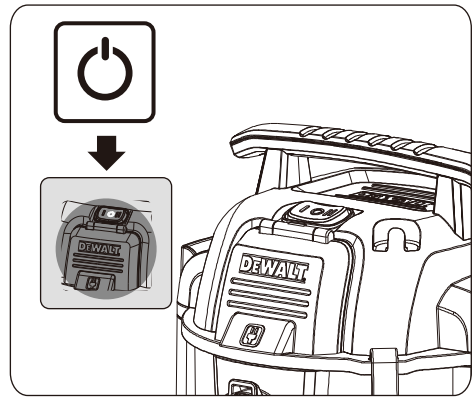
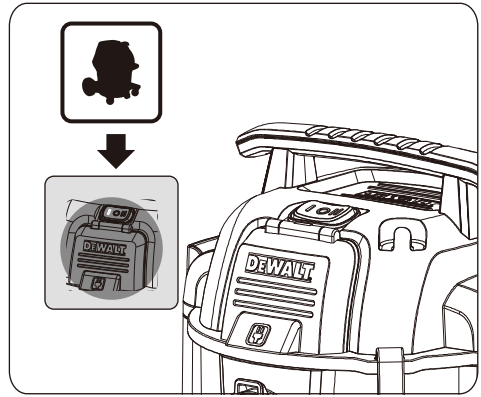
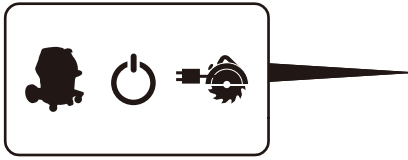
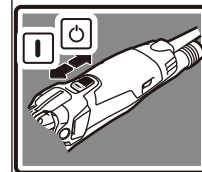
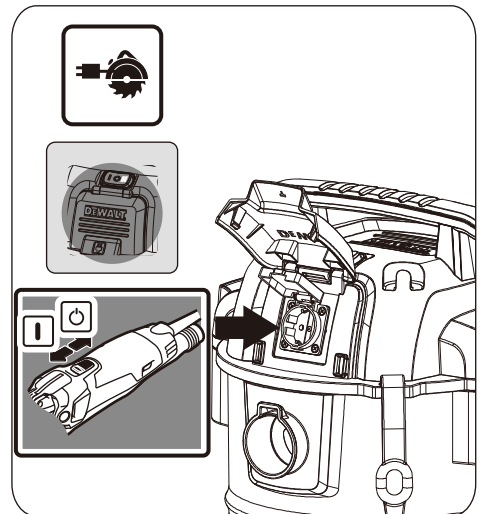
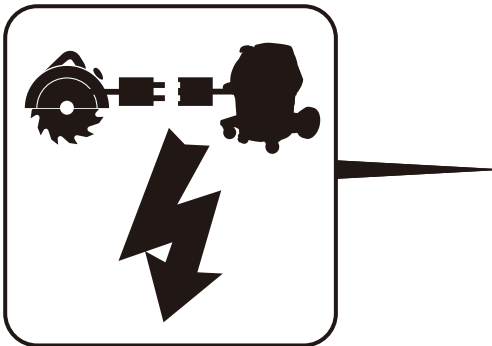


Fig. L



PRODUCT SPECIFICATIONS

Model	DXV30SAPTA
Power	220-240V / 50/60Hz / 1050W
Seal pressure	15kPa
Air flow	37.8L/S
Tank capacity	30L*
Hose	48mm x 2.1m
Power cord	3G×1.5mm ² / 3.05m

*Tank capacity refers to actual tank volume and does not reflect capacity available during operation.

PACKAGE CONTENTS

The package contains:

- 1 48mm x 2.1m Hose (DXVA19-2558)
 - 2 Extension Wand (DXVA19-1202)
 - 1 Crevice Nozzle (DXVA19-1400)
 - 1 Utility Nozzle (DXVA19-1300)
 - 1 Floor Nozzle (DXVA19-1900D)
 - 1 Mesh Accessory Bag (DXVA19-5158)
 - 1 Disposable Dust Bag (DXVA19-4204)
 - 1 Clean Connect™ Filter (DXVC4001)
 - 1 Foam Filter (DXVA20-1200A)
 - 1 Tool Adaptor (DXVA19-2780)
 - 1 Round Brush (DXVA19-2400)
 - 1 Elbow (DXVA19-2800)
 - 1 Instruction Manual
 - 1 Screw Package
 - 4 Casters
- Check for damage to the tool, parts or accessories which may have occurred during transport.
 - Take the time to thoroughly read and understand this manual prior to operation.

DEFINITIONS: SAFETY GUIDELINES

The definitions below describe the level of severity for each signal word. Please read the manual and pay attention to these symbols.

▲ DANGER: Indicates an imminently hazardous situation which, if not avoided, will result in death or serious injury.

▲ WARNING: Indicates a potentially hazardous situation which, if not avoided, could result in death or serious injury.

▲ CAUTION: Indicates a potentially hazardous situation which, if not avoided, may result in minor or moderate injury.

NOTICE: Indicates a practice not related to personal injury which, if not avoided, may result in property damage.

IMPORTANT SAFETY INSTRUCTIONS

▲ WARNING: When using electric appliances, always follow basic safety precautions to reduce the risk of fire, electric shock and personal injury, including the following:

BEFORE USING THE APPLIANCE, READ AND FOLLOW ALL INSTRUCTIONS.

▲ WARNING: To reduce the risk of electric shock. Do not expose to rain. Store indoors.

- Do not leave the appliance when it is connected to a power source. Unplug it from outlet when not in use and before servicing.
 - Do not allow the appliance to be used as a toy. Pay close attention when the appliance is used by or near children.
 - Use the appliance ONLY as described in the manual. Use only DEWALT recommended attachments.
 - Do not use the appliance with a damaged cord or plug. If the appliance is not working correctly, or if it has been dropped, damaged, left outdoors, or dropped in water, return it to a service center.
 - Do not pull or carry the appliance by the cord, use the cord as a handle, close a door on the cord, or pull the cord around sharp edges or corners. Do not run the appliance over the cord. Keep cord away from heated surfaces.
 - Do not unplug the appliance by pulling on the cord. To unplug, grasp the plug, not the cord.
 - Do not handle the plug or appliance with wet hands.
 - Do not put any objects into the openings of the appliance. Do not use the appliance with any opening blocked; keep free of dust, lint, hair and anything else that may reduce air flow.
 - Keep hair, loose clothing, fingers, and all body parts away from the openings and moving parts.
 - Turn off all controls before unplugging the appliance.
 - Take extra care when cleaning on stairs.
 - Do not use the appliance to pick up flammable or combustible liquids, such as gasoline, or use in areas where flammable or combustible liquids are present.
 - Static shocks are possible in dry areas or when the relative humidity of the air is low. This is only temporary and does not affect the use of the vacuum. To reduce the frequency of static shocks, add moisture to the air with a console, installed humidifier or use hose (standard on some models).
 - To avoid spontaneous combustion, empty the dust tank after each use.
- ▲ CAUTION:** The Appliance is not intended for use by persons (including children) with reduced physical, sensory or mental capabilities, or lack of experience and knowledge, unless they have been given supervision or instruction concerning use of the appliance by a person responsible for their safety. Children should be supervised to ensure that they do not play with the appliance.

SAVE THESE INSTRUCTIONS ADDITIONAL SAFETY RULES

- Do not pick up anything that is burning or smoking, such as cigarettes, matches, or hot ashes.
- Do not use to vacuum combustible explosive materials, such as coal, grain, or other finely divided combustible materials.
- Do not use to vacuum hazardous, toxic or carcinogenic materials, such as asbestos or pesticide.
- Never pick up explosive liquids (e.g. gasoline, diesel fuel, heating oil, paint thinner, etc.), acids or solvents.

English

- Do not use vacuum without filters in place, except as described under **WET PICK UP APPLICATIONS**.
- Some wood contains preservatives which can be toxic. Take extra care to prevent inhalation and skin contact when working with these materials. Request and follow any safety information available from the material supplier.
- Do not use vacuum as a step ladder.
- Do not place heavy objects on vacuum.
- An extension cord must have adequate wire size for safety.
- If an extension cord is to be used outdoors it must be marked.

▲ WARNING:

To reduce the exposure to these chemicals, wear approved safety equipment such as dust masks that are specially designed to filter out microscopic particles.

▲ WARNING:

- TO REDUCE THE RISK OF INJURY, USER MUST READ INSTRUCTION MANUAL. DO NOT LEAVE THE VACUUM UNATTENDED WHEN IT IS SWITCHED ON. DO NOT PICK UP FLAMMABLE, COMBUSTIBLE OR HOT MATERIALS. DO NOT USE AROUND EXPLOSIVE DUST, LIQUIDS OR VAPORS. ELECTRICAL DEVICES PRODUCE ARCS OR SPARKS WHICH CAN CAUSE FIRE OR EXPLOSION. DO NOT USE AT FILLING STATIONS OR ANYWHERE GASOLINE IS STORED OR DISPENSED. DO NOT VACUUM TOXIC OR CARCINOGENIC MATERIALS OR OTHER HEALTH ENDANGERING MATERIALS SUCH AS ASBESTOS OR PESTICIDES. ALWAYS USE PROPER EYE AND RESPIRATORY PROTECTION. TO REDUCE THE RISK OF ELECTRICAL SHOCK, DO NOT EXPOSE TO RAIN. STORE INDOORS. WHEN SERVICING, USE ONLY IDENTICAL REPLACEMENT PARTS. NOT TO BE USED AS A STEP STOOL.

SAVE THESE INSTRUCTIONS

OPERATING INSTRUCTIONS

UNPACKING & SETUP SUMMARY

1. Pull lid latches in an outward motion, remove power head and some accessories that may have been shipped in the tank.
2. Attach heavy-duty rubberized casters following the instructions in this manual.
3. Before replacing power head, refer to this manual to ensure you have the proper filters installed for the cleaning operation.
4. Replace power head, and apply pressure with thumb to each latch until it snaps tightly in place. Make sure all lid latches are clamped securely.
5. Insert the end of the hose into the inlet of the tank.
6. Attach the extension wands to the end of the hose. Apply slight pressure until fitting is tight.
7. Attach one of the cleaning accessories (depending on the cleaning requirements) to the extension

8. Plug the cord into the wall outlet. The vacuum is ready for use.

▲ WARNING:

To reduce the risk of fire or explosion, do not operate this vac in areas with flammable gases, vapors or explosive dust in the air. Flammable gases or vapors include but are not limited to: lighter fluid, solvent-type cleaners, oil-based paints, gasoline, alcohol or aerosol sprays. Explosive dusts include but are not limited to: coal, magnesium, aluminum, and grain or gun powder. Do not vacuum explosive dust, flammable or combustible liquids or hot ashes. Do not use this vac as a sprayer for any flammable or combustible liquid. To reduce the risk of health hazards from vapors or dusts, do not vacuum toxic materials.

IMPORTANT SAFEGUARDS

The symbol on the product or packaging indicates that the product must not be treated as domestic refuse. Instead, it should be handed in to a collection point for the recycling of electrical and electronic components. By ensuring the product is treated in the right way, this will help to prevent the negative impact on environment and health that may result from the product being thrown away as general waste. For further information about recycling, you should contact the local authorities, refuse collection service or the sales outlet where you bought the goods.

PROTECTING THE ENVIRONMENT



Separate collection. Products and batteries marked with this symbol must not be disposed of with normal household waste.

Products and batteries contain materials that can be recovered or recycled reducing the demand for raw materials. Please recycle electrical products and batteries according to local provisions. Further information is available at www.2helpU.com

DESCRIPTION (Fig. A)

▲ WARNING: Never modify the power appliance or any part of it. Damage or personal injury could result.

- 1 Sturdy handle/cord wrap
- 2 Power cord
- 3 On/off switch
- 4 Vacuum head
- 5 Lid latches
- 6 Dust tank
- 7 Hose
- 8 Casters
- 9 Clean Connect™ filter
- 10 Vacuum port
- 11 Hose strap
- 12 Disposable dust bag

ASSEMBLY AND ADJUSTMENTS (Fig. A-C)

▲WARNING: To reduce the risk of injury, turn appliance off and disconnect appliance from power source before installing and removing accessories, before adjusting or changing set-ups or when making repairs. An accidental start-up can cause injury.

▲WARNING: The filter 9 must always be in place while vacuuming, except as described under **WET PICK UP APPLICATIONS** under **OPERATION**. When vacuuming fine dust, you may also need to use an disposable dust bag to make emptying the dust tank easier.

1. Install the disposable dust bag 12, as shown in Fig. B.

NOTE: Be careful not to tear the bag. Place bag securely onto vacuum port 10 to provide a tight seal for maximum dust collection performance.

2. Place the vacuum head 4 onto the dust tank and secure it by closing the lid latches 5.
3. Insert the end of hose 7 into clip-in hose vacuum port 10 and tighten the end of hose to the tank.

OPERATION

INSTRUCTIONS FOR USE (Fig. A, D, E)

▲WARNING: Always observe the safety instructions and applicable regulations.

1. Plug the power cord into an appropriate outlet.
2. Turn the on/off switch 3 to the ON position (I).
3. The DeWALT construction dust extractor is fitted with the DeWALT connection system. It allows a fast, secure connection between the hose 7 and power tool. The connector 13 connects directly to DeWALT compatible tools or through the use of an adapter (available from local DeWALT supplier). If you need Install the adapters, refer to Fig. E.

NOTE: If using an adapter ensure it is firmly attached to the tool outlet before following the steps below.

OPERATING INSTRUCTIONS

CASTER INSTALLATION (Fig. A, F)

1. Invert the dust tank and install the casters to the bottom of the dust tank and fix them with screws.
2. Return dust tank assembly upright.

REMOVE/CHANGE USED DISPOSABLE DUST BAG (Fig. A)

▲WARNING: Appropriate personal protective equipment like dust mask and gloves should be used while handling used dust bags.

1. Turn off vacuum and unplug cord from outlet.
2. Unlatch lid latches 5 and remove vacuum head 4.
3. Pull the disposable dust bag 12 carefully from vacuum port 10.
4. Seal the disposable dust bag 12 opening tightly when removing it from the machine.
5. Dispose the disposable dust bag 12 in appropriate container according to statutory provisions.

WET PICK UP APPLICATIONS (Fig. A, G)

▲WARNING: If foam or liquid escapes from the machine, switch off immediately.

▲WARNING: Do not use the machine with this set up for dust Class L.

The ball float 14 will block air to the motor when the dust tank is full and the sound of the motor will change at once.

When the motor has a high pitched sound and air/water flow stops, empty the dust tank.

1. Turn off vacuum and unplug cord from outlet.
2. Unlatch lid latches 5 and remove vacuum head 4.
3. Empty contents of dust tank 6 into a suitable container or drain.

▲CAUTION: Clean the water level limiting device regularly and examine it for signs of damage. Refer to Fig. G.

NOTICE: DO NOT remove ball float 14, doing so will cause damage to the vacuum. The ball float keeps water from entering the motor.

Before using the vacuum for wet pick up:

- Ensure the dust tank is empty and free of excessive dust.
- Remove the filter 9.

TO CONVERT BACK TO DRY VACUUM OPERATION (Fig. A)

1. Empty dust tank, refer to **TO EMPTY DUST TANK** instructions.
2. Place dust tank upside down position until dry. DO NOT use wet dust tank for dry pick up.
3. Place vacuum head 4 on a level surface appliance dry.
4. Reinstall filters when vacuum head is dry. See Filters under Maintenance.
5. When dust tank is dry place the vacuum head 4 onto the dust tank and secure it by closing the lid latches 5.

SHUT DOWN/TRANSPORTATION (Fig. A)

1. Turn on/off switch 3 to the OFF position.
2. Unplug the unit.
3. Store the power cord 2 wrapping it around the sturdy handle/cord wrap 1 as shown.
4. When transporting in vehicles, secure the machine.

MAINTENANCE

The DeWALT appliance has been designed to operate over a long period of time with a minimum of maintenance. Continuous satisfactory operation depends upon proper appliance care and regular cleaning.

▲WARNING: To reduce the risk of injury, turn appliance off and disconnect appliance from power source before installing and removing accessories, before adjusting or changing set-ups or when making repairs. An accidental start-up can cause injury.

English

▲ WARNING: For user servicing, the machine must be dismantled, cleaned and serviced, as far as is reasonably practicable, without causing risk to the maintenance staff and others. Suitable precautions include, decontamination before dismantling, provision for local filtered exhaust ventilation where the machine is dismantled, cleaning of the maintenance area and suitable personal protection.

- The manufacturer, or an instructed person, shall perform a technical inspection at least annually, consisting of, for example, inspection of the filter for damage, air tightness of the machine and proper function of the control mechanism.
- When carrying out service or repair operations, all contaminated items which cannot be satisfactorily cleaned, are to be disposed of; such items shall be disposed of in impervious bags in accordance with any current regulation for the disposal of such waste.

FILTER (Fig. A, H, I)

FILTER CARE

The filters included with this vacuum are long life filters. To be effective in minimizing dust recirculation, the filters **MUST** be installed correctly and in good condition.

▲ WARNING: Appropriate personal protective equipment like dust mask and gloves should be used while handling the filters.

To Remove Clean Connect™ Filter

1. Turn on/off switch **3** to the OFF position (O) and unplug cord from outlet.
2. Release lid latches **5** and remove vacuum head **4** from canister. Place vacuum head on a level surface upside down.
3. Turn each filter **9** counterclockwise by gripping it on the plastic end cover as shown, and carefully remove from head, ensuring debris does not fall into mounting hole.

NOTE: Use care to not damage filter material.

4. If the bottom side of the vacuum head **4** needs to be cleaned, use a cloth dampened with water and mild soap and allow it to dry. Dispose the cloth in an appropriate container.
5. Inspect filters for wear, tears or other damage.

NOTE: If there is any doubt on the condition of the filters they **MUST** be replaced. **DO NOT** continue use if filters are damaged.

▲ WARNING: Never use compressed air or a brush to clean filters, otherwise damage to the filter membrane will occur which will allow dust to pass through the filter. If needed, gently tap against a hard surface or rinse with room temperature water and let air dry. Cleaning of the filters is typically unnecessary, even if the filter is covered with dust. The automatic filter cleaning system will maintain maximum performance and continue to function. If visual damage to the filter membrane exists, replace filters. Filters typically last between six and twelve months depending on use and care.

To Install Clean Connect™ Filter

1. Ensure filter seal **15** is in place and is secure.
2. Line up filter threads **16** to vacuum head threads and using moderate force, turn filter clockwise until tight.

NOTE: Use careful to not damage filter material.

3. Place the vacuum head **4** onto the dust tank and secure it by closing the lid latches **5**.

NOTE: Remove the foam filter and replace it with the Clean Connect™ filter when you do dry pickups.

To Install Foam Filter

This cleaner requires minimal conversion when going from dry to wet pick-up. A clean cartridge filter may be used for vacuuming small amounts of liquid. For best results when vacuuming large amounts of liquid, remove the cartridge filter and any disposable or reusable dust filters. Install the foam filter **17**, as shown in Fig. J. Installing the foam filter will help to protect the motor and minimize the potential for misting that may appear in the exhaust air or dripping of liquid around the lid.

TO EMPTY DUST TANK (Fig. K)

▲ WARNING: To reduce the risk of injury from accidental starting, unplug power cord before emptying the dust tank **6**.

1. Remove the power head assembly of the wet/dry vac by pulling outward on the lid clips located on each side of the vac. Lift off the power head assembly.
2. Dump the tank dust tank into the proper waste disposal container.
3. Liquids may be emptied through the tank drain **18**. To empty, turn the unit off and remove the plug from the wall outlet. Remove the drain cap and deposit the liquid waste contents in a suitable drain. After tank is empty, return the drain cap to its original position. To continue use, plug the cord into the wall outlet and turn the unit on.

CONNECTING POWER TOOL (Fig. L, M)

1. Make sure the control switch **3** is in the 'Off' position and the power supply is not connected.
2. There are 2 options for the next step.
Option 1: Connecting the tool to the vacuum first, then connect the power supply and turn on/off control switch **3** to the ON position (I), at this time the vacuum cleaner will start working.
Option 2: Connecting the tool to the vacuum first, then connect the power supply and turn on/off control switch **3** to the ON position (II), at this time the power tool can start to use.

▲ WARNING: Use the vacuum cleaner's socket outlet only for connection of an external power tool. The vacuum cleaner is automatically switched on and off via the connected power tool.

The connected load of the power tool may not exceed the maximum connected load PA of the vacuum cleaner's socket outlet. Please also observe the operating instructions and safety warnings of the

English

power tool being connected to the socket outlet of the vacuum cleaner.

RECOMMENDATION: Always operate the vacuum cleaner via a residual current device (RCD) with a rated residual current of 200mA or less.

Please ensure that the power tool switch is in the 'Off' position before connecting the tool to the vacuum. After switching off a power tool connected to the vacuum cleaner's socket outlet, the vacuum cleaner will run on for approx. 15 seconds and then automatically switch off.

ELECTRICAL SAFETY

1. **Power tool plugs must match the outlet. Never modify the plug in any way. Do not use any adapter plugs with earthed (grounded) power tools.** Unmodified plugs and matching outlets will reduce risk of electric shock.
2. **Avoid body contact with earthed or grounded surfaces, such as pipes, radiators, ranges and refrigerators.** There is an increased risk of electric shock if your body is earthed or grounded.
3. **Do not expose power tools to rain or wet conditions.** Water entering a power tool will increase the risk of electric shock.
4. **Do not abuse the cord. Never use the cord for carrying, pulling or unplugging the power tool. Keep cord away from heat, oil, sharp edges or moving parts.** Damaged or entangled cords increase the risk of electric shock.
5. **When operating a power tool outdoors, use an extension cord suitable for outdoor use.** Use of a cord suitable for outdoor use reduces the risk of electric shock.
6. **If operating a power tool in a damp location is unavoidable, use a residual current device(RCD) protected supply.** Use of an RCD reduces the risk of electric shock.
7. The electric motor has been designed for one voltage only. Always check that the power supply corresponds to the voltage on the rating plate. If the supply cord is damaged, it must be replaced only by DeWALT or an authorised service organisation.

MAINS PLUG REPLACEMENT (U.K.&IRELAND ONLY)

If a new mains plug needs to be fitted:

- Safely dispose of the old plug.
- Connect the brown lead to the live terminal in the plug.
- Connect the blue lead to the neutral terminal.
- Connect the yellow/green lead to the earth terminal.

Follow the fitting instructions supplied with good quality plugs. Recommended fuse: 13A.

⚠ WARNING: Never use a light socket. Never connect the live (L) or neutral (N) wires to the earth pin marked E or $\frac{1}{2}$.

USING AN EXTENSION CABLE

If an extension cable is required, use an approved 3-core extension cable suitable for the power input of this tool (see **Technical Data**). The minimum conductor size is 1.5 mm²; the maximum length is 30m.

When using a cable reel, always unwind the cable completely.

BLOWING FEATURE (Fig. C)

⚠ WARNING: To avoid injury to bystanders, keep them clear of blowing debris.

The vacuum contains a blowing feature. It has the capability to blow sawdust and other debris. It can be used to blow dust and debris out of garages or off patios and driveways. Follow the steps below to use the vacuum as a blower.

1. Locate blowing port on the vacuum.
2. Insert one end of the hose into the blowing port.
3. Turn vacuum "ON".

STORAGE (Fig. A)

1. Empty dust tank, refer to **TO EMPTY DUST TANK** instructions.
2. Clean the vacuum inside and outside. refer to **CLEANING**.
3. Clean or replace filters, refer to **FILTER**.
4. Store the hose and the power cord, as shown in the **Fig. A**. Place the appliance in a dry room and secure it from unauthorized use.

OPTIONAL ACCESSORIES

⚠ WARNING: Since accessories, other than those offered by DeWALT, have not been tested with this product, use such accessories with this appliance could be hazardous.

To reduce the risk of injury, only DeWALT recommended accessories should be used with this product.

CLEANING

To keep the wet/dry vacuum looking its best, clean the outside with a cloth dampened with warm water and mild soap.

To clean the tank:

1. Dump out debris.
2. Wash tank thoroughly with warm water and mild soap.
3. Wipe with dry cloth.

TROUBLESHOOTING

⚠ WARNING:

Minor problems often can be fixed without calling customer service.

PROBLEM	SOLUTION
Motor does not run	Check power cord, plugs and outlet.
	Ensure the on/off switch is in the ON position (I)
Suction capacity decreases	Remove blockages in the floor nozzle, extension wands, hose or filter.
	Replace the disposable dust bag.
	Check for proper installation of the filter.
	Clean or replace the filter.
	Empty dust tank, refer to EMPTY THE TANK under OPERATING INSTRUCTIONS .
Vacuum stops running	<p>Thermal overload has been tripped:</p> <ol style="list-style-type: none"> 1. Turn the vacuum off and disconnect vacuum cleaner from power source. 2. Empty the dust tank, if needed. 3. Allow the unit to cool. 4. Plug the power cord into an appropriate outlet and turn on/off switch to the ON position (I) to test.
Dust comes out while vacuuming	Check for proper installation of the filters.
	Ensure filters are not damaged; replace if necessary.
	Ensure filter seals are in place and are secure.
	Check the fit of the vacuum head.

⚠ WARNING: If the supply cord is damaged, it must be replaced by the manufacturer, its service agent or similarly qualified persons in order to avoid a hazard.

⚠ WARNING: This product is NOT to be used for filtering of pathogens, for example COVID-19. Follow all local, state and federal guidance on general cleaning practices.



DANE TECHNICZNE

Model	DXV30SAPTA
Moc	220-240V / 50/60Hz / 1050W
Ciśnienie zasysania	15kPa
Przepływ powietrza	37,8L/S
Pojemność zbiornika	30L*
Średnica i długość węża	48mm x 2,1m
Kabel zasilający	3G x 1,5mm ² / 3,05m

*Pojemność zbiornika odnosi się do rzeczywistej objętości zbiornika i nie odzwierciedla pojemności dostępnej podczas pracy.

Zawartość opakowania

Opakowanie zawiera następujące elementy:

- 1 Wąż o wymiarach 48 mm x 2,1 m (DXVA19-2558)
- 2 Rura teleskopowa (DXVA19-1202)
- 1 Szczotka główna (DXVA19-1300)
- 1 Dysza podłogowa (DXVA19-1900D)
- 1 Jednorazowy worek na kurz (DXVA19-4204)
- 1 Czysty filtr Connect™ (DXVC4001)
- 1 Dysza szczelinowa (DXVA19-1400)
- 1 Instrukcja obsługi
- 1 Siatkowa torba na akcesoria (DXVA19-5158)
- 1 Filtr piankowy (DXVA20-1200A)
- 1 Adapter narzędziowy (DXVA19-2780)
- 1 Szczotka okrągła (DXVA19-2400)
- 1 Łokieć (DXVA19-2800)
- 1 Pakiet śrubowy
- 4 Kółka

- Sprawdź, czy elementy urządzenia oraz akcesoria nie uległy uszkodzeniu podczas transportu.
- Przed uruchomieniem dokładnie przeczytaj instrukcję.

DEFINICJE: BEZPIECZEŃSTWO PRACY

Poniższe definicje opisują poziom zagrożenia poszczególnych ostrzeżeń. Przeczytaj instrukcję i zwróć uwagę na te symbole.

▲ NIEBEZPIECZEŃSTWO: Informuje o bezpośrednim niebezpieczeństwie, które grozi śmiercią lub poważnym obrażeniem.

▲ OSTRZEŻENIE: Informuje o potencjalnym niebezpieczeństwie, które grozi śmiercią lub poważnym obrażeniem.

▲ UWAGA: Informuje o potencjalnym niebezpieczeństwie, które może doprowadzić do niewielkich lub umiarkowanych obrażeń ciała.

WSKAZÓWKA: Informuje o czynności, która nie grozi obrażeniami ciała, ale może spowodować szkody rzeczowe.

WAŻNE INSTRUKCJE NA TEMAT BEZPIECZEŃSTWA

▲ OSTRZEŻENIE: Podczas korzystania z urządzeń elektrycznych zawsze przestrzegaj wskazówek na temat bezpieczeństwa, aby zminimalizować ryzyko porażenia ognia, porażenia prądem lub obrażeń ciała:

PRZED UŻYCIEM TEGO URZĄDZENIA PRZECZYTAJ WSZYSTKIE INSTRUKCJE I ZASTOSUJ SIĘ DO NICH.

▲ OSTRZEŻENIE: Aby zminimalizować ryzyko porażenia prądem, nie wystawiaj urządzenia na deszcz i przechowuj je w suchym pomieszczeniu.

- Jeśli urządzenie jest podłączone do zasilania, nie pozostawiaj go bez nadzoru. Przed przystąpieniem do jakichkolwiek prac serwisowych wyjmij wtyczkę kabla z gniazdka.
- Urządzenie nie może służyć do zabawy. Zwróć szczególną uwagę, gdy urządzenie znajduje się w pobliżu dzieci.
- Używaj urządzenia TYLKO zgodnie z opisem w instrukcji. Używaj jedynie elementów, które są zalecane przez firmę DEWALT.
- Nie używaj urządzenia, jeśli kabel lub wtyczka są uszkodzone. Jeśli urządzenie nie działa prawidłowo, zostało upuszczone, uszkodzone, pozostawione na dworze lub wpadło do wody, oddaj je do punktu serwisowego.
- Nie ciągnij ani nie przenoś urządzenia za kabel – pona dto nie zamykaj drzwi, jeśli kabel przechodzi przez futrynę i nie przeciągaj go po ostrych powierzchniach. Nie deptaj po kablu. Trzymaj kabel z dala od nagranych powierzchni.
- Nie ciągnij za kabel, żeby wyjąć wtyczkę z gniazdka. Aby ją wyjąć, chwyć za wtyczkę, nie za kabel.
- Nie dotykaj wtyczki ani urządzenia mokrymi rękami.
- Nie zasłaniaj otworów urządzenia żadnymi przedmiotami. Nie korzystaj z urządzenia, jeśli którykolwiek z otworów jest zablokowany; usuń kurz, kłaczki oraz inne zabrudzenia, które mogą utrudniać przepływ powietrza.
- Włosa, ubranie, palce oraz inne części ciała trzymaj za dala od otworów i elementów ruchomych.
- Przed wyjęciem wtyczki z gniazdka wyłącz odkurzacz oraz wszystkie uruchomione funkcje.
- Zachowaj szczególną ostrożność podczas czyszczenia schodów.
- Dopilnuj, aby urządzenie nie zasysało łatwopalnych produktów (np. benzyny) oraz aby nie używać go w miejscach, gdzie mogą być one nagromadzone.
- W miejscach suchych lub o małej wilgotności względnej możliwe są wylądowania elektrostatyczne. Są one przejściowe i nie wpływają na pracę odkurzacza. Aby zmniejszyć częstotliwość wylądowań elektrostatycznych, nawilż powietrze za pomocą nawilżacza lub użyj węża antystatycznego, który jest opcją standardową w niektórych modelach.
- Aby nie dopuścić do przypadkowego spalania, opróżnij pojemnik po każdym użyciu.
- **▲ UWAGA:** Urządzenie nie powinno być używane przez osoby (w tym dzieci) o ograniczonej sprawności fizycznej, czuciowej lub umysłowej oraz osoby bez doświadczenia i wiedzy, o ile nie zostało to zlecone przez osoby nadzorujące ich pracę i odpowiedzialne za ich bezpieczeństwo. Należy pilnować, aby dzieci nie bawiły się urządzeniem.

**ZACHOWAJ TE INSTRUKCJE
DODATKOWE ZASADY BEZPIECZEŃSTWA**

- Dopilnuj, aby urządzenie nie zasysało palących się lub dymiących produktów, np. papierosów, zapalek lub popiołu.
- Nie używaj odkurzacza do zasysania łatwopalnych materiałów, np. węgla, zboża lub innych rozdrobnionych produktów.
- Nie używaj odkurzacza do zasysania niebezpiecznych, toksycznych lub rakotwórczych materiałów, np. azbestu lub pestycydów.
- Nie zasysaj odkurzaczem płynów wybuchowych (np. benzyny, oleju napędowego, oleju opałowego, rozcieńczonego itp.).
- Nie używaj odkurzacza bez założonego filtra, chyba że jest to inaczej opisane w sekcji Czyszczenie na mokro
- Niektóre materiały drewniane zawierają środki konserwujące, które mogą być trujące. Unikaj wdychania powietrza oraz kontaktu ze skórą w przypadku tego typu materiałów. Przestrzegaj informacji na temat bezpieczeństwa opisanych przez dostawcę tych materiałów.
- Nie wchodzić na odkurzacz.
- Nie stawiaj na odkurzaczu ciężkich przedmiotów.
- Wymiary przedłużacza muszą spełniać normy bezpieczeństwa.
- Jeśli przedłużacz ma być użyty na dworze, musi posiadać odpowiednie oznaczenie.

▲ OSTRZEŻENIE:

Aby zminimalizować ryzyko narażenia się na te środki chemiczne, załóż odpowiednią odzież ochronną, np. maskę przeciwpyłową, która posiada specjalne filtry chroniące przed drobno rozdrobnionym materiałem. Dla większej wygody i bezpieczeństwa na odkurzaczu zamieszczono informacje ostrzegawcze.

▲ OSTRZEŻENIE:

• **ABY ZMINIMALIZOWAĆ RYZYKO OBRAŻEŃ, UŻYTKOWNIK MUSI PRZECZYTAĆ INSTRUKCJĘ OBSŁUGI. NIE ZOSTAWIAJ PRÓŻNIOWEGO, GDY JEST WŁĄCZONY. DOPILNUJ, ABY URZĄDZENIE NIE ZASYSAŁO ŁATWOPALNYCH, WYBUCHOWYCH ANI NAGRZANYCH MATERIAŁÓW. NIE UŻYWAJ W POBLIŻU WYBUCHOWYCH PYŁÓW, PŁYNÓW LUB OPARÓW. URZĄDZENIA ELEKTRYCZNE WYTWARZAJĄ WYŁADOWANIA ŁUKOWE I ISKROWE, KTÓRE MOGĄ WZNIECIĆ OGIEŃ LUB SPOWODOWAĆ WYBUCH. NIE UŻYWAJ NA STACJACH BENZYNOWYCH ANI W POBLIŻU MIEJSC, W KTÓRYCH PRZECHOWYWANA I ROZLEWANA JEST BENZYNA. NIE UŻYWAJ URZĄDZENIA DO ZASYSANIA MATERIAŁÓW TRUJĄCYCH, RAKOTWÓRCZYCH LUB INNYCH BĘDĄCYCH ZAGROŻENIEM DLA ZDROWIA, NP. AZBESTU LUB PESTYCYDÓW. ZAWSZE UŻYWAJ ODPOWIEDNIEJ OCHRONY NA OCZY / DRÓG ODDECHOWYCH. ABY ZMINIMALIZOWAĆ RYZYKO PORĄŻENIA PRĄDEM, NIE WYSTAWIAJ URZĄDZENIA NA DESZCZ. PRZECHOWUJ W SUCHYM POMIESZCZENIU. PODCZAS PRAC SERWISOWYCH KORZYSTAJ TYLKO Z I DENTYCZNYCH CZĘŚCI ZAMIENNYCH. NIE STAWIAJ NA URZĄDZENIU.**

**ZACHOWAJ TE INSTRUKCJE
INSTRUKCJA OBSŁUGI
ROZPAKOWYWANIE I REGULACJA**

1. Pociągnij zaczepy do zewnątrz, wyjmij głowicę ssącą oraz inne akcesoria znajdujące się w pojemniku.
2. Przymocuj cztery wytrzymałe, gumowe kółka zgodnie ze wskazówkami w tej instrukcji.
3. Przed montażem głowicy ssącej sprawdź w instrukcji, czy masz zamocowane odpowiednie filtry do czyszczenia.
4. Zamontuj głowicę ssącą – użyj kciuka, aby użyć siły i dobrze zamocować zaczepy. Dopilnuj, aby zaczepy były odpowiednio przymocowane.
5. Włóż wąż do wlotu zbiornika.
6. Przymocuj rurę teleskopową do węża. Użyj nieco siły, aby porządnie ją przytwierdzić.
7. Przymocuj szcztękę czyszczącą (w zależności od potrzeby) do rury teleskopowej. Delikatnie przekręć, aby docisnąć.
8. Włóż wtyczkę kabla do gniazdka. Odkurzacz jest gotowy do użycia.

▲ OSTRZEŻENIE:

Aby zmniejszyć ryzyko wzniesienia ognia, nie używaj tego odkurzacza, jeśli w powietrzu unoszą się wybuchowe gazy, opary lub pyły. Łatwopalne gazy i opary to m.in.: lżejsza ciecz, środki czyszczące oparte na rozpuszczalniku, farby olejne, benzyna, alkohol, aerozole. Pyły wybuchowe to m.in.: węgiel, magnez, aluminium, ale także zboże i proch strzelniczy. Dopilnuj, aby urządzenie nie zasysało pyłu wybuchowego, łatwopalnych/wybuchowych płynów ani rozgrzanego popiołu. Nie używaj odkurzacza jako rozpylacza w przypadku łatwopalnych i wybuchowych cieczy. Aby zminimalizować zagrożenie dla zdrowia z uwagi na opary i pyły, nie odkurzaj trujących materiałów.

**WAŻNE INFORMACJE NA TEMAT
BEZPIECZEŃSTWA**

Symbol na opakowaniu oznacza, że nie należy wyrzucać tego produktu z innymi domowymi odpadami. Powinien zostać przekazany do punktu zbiórki zużytego sprzętu elektrycznego i elektronicznego. Zapewnienie właściwego traktowania produktu pomoże zapobiec negatywnemu wpływowi na środowisko i zdrowie, które mogą wynikać z wyrzucenia produktu jako odpadów ogólnych. Aby zasięgnąć dalszych informacji na temat recyklingu, należy skontaktować się z władzami lokalnymi, punktem zbioru odpadów lub ubsklepem, w którym zakupiono urządzenie.

Ochrona środowiska



Urządzeń ani baterii oznaczonych tym symbolem nie można wyrzucać razem ze zwykłymi śmieciami.

Urządzenia i baterie zawierają materiały, które mogą zostać odzyskane i poddane recyklingowi, dzięki czemu zmniejsza się zapotrzebowanie na surowce. Urządzenia elektryczne i baterie należy poddać recyklingowi zgodnie z lokalnymi przepisami. Szczegółowe informacje znajdują się na stronie internetowej www.2helpU.com

Opis (rysunek A)

▲ OSTRZEŻENIE: Nigdy nie próbuj dokonywać przeróbek w odkurzaczu ani jego elementach, ponieważ mogłoby to doprowadzić do uszkodzenia mienia lub ciała.

- 1 Górną uchwyt/zaczep do nawijania kabla
- 2 Kabel zasilający
- 3 Przełącznik wł./wyt.
- 4 Głowica odkurzacza
- 5 Zaczep zbiornika
- 6 Zbiornik
- 7 Wąż ssący
- 8 Kółka
- 9 Filtry
- 10 Opaska mocująca wąż
- 11 Uchwyt na wąż
- 12 Worek

MONTAŻ I REGULACJA (rysunki A–C)

▲ OSTRZEŻENIE: Aby zmniejszyć ryzyko doznania urazu, wyłącz urządzenie i odłącz je z gniazdka, a dopiero później zakładaj/zdejmuj akcesoria oraz dopasowuj/zmieniaj ustawienia bądź wykonuj prace naprawcze.

Przypadkowe uruchomienie może doprowadzić do urazu.

▲ OSTRZEŻENIE: Filtry 9 muszą być zawsze zamontowane, jeśli nie opisano inaczej w sekcji Czyszczenie na mokro w punkcie Obsługa. Podczas odkurzania drobnego pyłu możesz również skorzystać z dodatkowego worka papierowego lub syntetycznego, co ułatwi opróżnianie zbiornika.

1. Przy użyciu worka papierowego lub syntetycznego 12, należy je osadzić, jak pokazano na rysunku B.

WSKAZÓWKA: Uważaj, aby nie rozerwać worka. Ostrożnie nałóż go na wlot 10, by szczelnie przylegał i skutecznie zbierał kurz.

2. Załóż głowicę 4 na zbiornik i zamocuj ją zaczepami 5.
3. Włóż końcówkę węża 7 do zacisku w porcie próżniowym węża 10 i dokręć końcówkę węża do zbiornika.

OBŚLUGA

Instrukcje użytkownika (rys. A, D, E)

▲ OSTRZEŻENIE: Zawsze postępuj zgodnie z instrukcjami na temat bezpieczeństwa oraz stosownymi przepisami.

▲ OSTRZEŻENIE: Aby zmniejszyć ryzyko doznania urazu, wyłącz urządzenie i odłącz je z gniazdka, a dopiero później zakładaj/zdejmuj akcesoria, dostosowuj/zmieniaj ustawienia bądź wykonuj prace naprawcze.

1. Uruchomienie może doprowadzić do urazu.

2. Odkurzacze budowlane DEWALT wyposażone są w system połączeń DEWALT. Pozwala on na bezpośrednie połączenie węża ssącego 7 z elektro narzędziem lub poprzez adapter. Adaptery 13 dostępne są u lokalnego dystrybutora produktów DEWALT. Sposób podłączenia adaptera do akcesoriów pokazano na rys. E.

WSKAZÓWKA: W przypadku adaptera sprawdź, czy jest dobrze przymocowany do wylotu narzędzia przed przystąpieniem do poniższych czynności.

INSTRUKCJE OBSŁUGI

Montaż kółek (rys. A, F)

1. Odwróć zbiornik odkurzacza, Zamontować kółka przy pomocy dołączonych śrub.
2. Ustaw pojemnik na pył z powrotem w pozycji pionowej.

Wymywanie/wymienianie zużytych worków filtrujących (rys. A)

▲ OSTRZEŻENIE: Przy kontakcie z zużytymi workami na pył należy założyć stosowną odzież ochronną, np. maskę chroniącą przed pyłem i rękawice.

1. Wyłącz odkurzacza i wyjmij wtyczkę z gniazdka
2. Odepnij zaczepy zbiornika 5 i wyjmij głowicę odkurzacza 4
3. Powoli ściągnij worek filtrujący z wlotu 10
4. Dokładnie zamknij otwór worka na pył po zdjęciu go z urządzenia
5. Wyrzuć worek filtrujący do odpowiedniego pojemnika zgodnie z obowiązującymi przepisami.

Czyszczenie na mokro (rys. A, G)

▲ OSTRZEŻENIE: Jeśli piana lub ciecz zacznie wydostawać się z urządzenia, natychmiast je wyłącz.

▲ UWAGA: Regularnie czyść ogranicznik poziomu wody i sprawdzaj, czy nie uległ uszkodzeniu. Patrz rys. G.

▲ WSKAZÓWKA: NIE wyjmuj pływaka kulowego 14, ponieważ mogłoby to uszkodzić odkurzacza. Dzięki pływakowi kulowemu woda nie przedostaje się do silnika. Przed użyciem odkurzacza do zasysania w trybie na mokro:

- Opróżnij zbiornik, usuwając nadmierne ilości pyłu.
- Zdejmij filtry 9.

▲ OSTRZEŻENIE: Nie używaj urządzenia z tym ustawieniem do pyłów aż do klasy L.

Opróżnianie zbiornika (rys. A, G)

Zawór pływaka kulowego 14 zablokuje dopływ powietrza do silnika, gdy zbiornik się napelni – silnik od razu zacznie inaczej pracować. Gdy wytwarzany przez silnik dźwięk jest wysoki, a powietrze/woda nie dochodzi, opróżnij zbiornik.

1. Wyłącz odkurzacza i wyjmij wtyczkę z gniazdka
2. Odepnij zaczepy zbiornika 5 i wyjmij głowicę odkurzacza 4.
3. Wylej zawartość zbiornika 6 do odpowiedniego pojemnika lub zlewu.

Powrót do trybu czyszczenia na sucho (rys. A)

1. Opróżnij zbiornik, patrz instrukcje na temat Oczyszczania zbiornika.
2. Obróć zbiornik w odwrotną stronę i pozostaw do momentu wyschnięcia. **NIE** używaj mokrego zbiornika do czyszczenia na sucho
3. Połóż głowicę odkurzacza **4** na płaskiej powierzchni do wyschnięcia.
4. Załóż ponownie filtry, gdy głowica wyschnie. Zobacz sekcję Filtry i zdejmij głowicę w części Konserwacja **4**.
5. Po wyschnięciu zbiornika połóż głowicę odkurzacza **4** na zbiorniku i zabezpiecz przy pomocy zaczepów **5** zbiornika.

Wyłączanie/transport (rys. A)

1. Ustaw przełącznik **3** w pozycji OFF wł./wyt.
2. Wyjmij wtyczkę z gniazdka.
3. Owiń przewód zasilający **2** uchwytu/zawijaka **1** zgodnie z obrazkiem.
4. W czasie transportu, urządzenie musi być zabezpieczone.

KONSERWACJA

To urządzenie firmy DEWALT cechuje się dużą trwałością i praktycznie nie wymaga konserwacji – warunkiem bezawaryjnej pracy jest odpowiednie zadbanie o urządzenie i regularne czyszczenie go.

▲ OSTRZEŻENIE: Aby zmniejszyć ryzyko doznania urazu, wyłącz urządzenie i odłącz je z gniazdka, a dopiero później zakładaj zdejmuj akcesoria, dostosowuj/zmieniaj ustawienia bądź wykonuj prace naprawcze. Przypadkowe uruchomienie może doprowadzić do urazu.

▲ OSTRZEŻENIE: Podczas prac serwisowych należy zdemontować urządzenie oraz wyczyścić i zakonserwować je w taki sposób, by nie stwarzać zagrożenia dla osób znajdujących się w jego pobliżu. Zachowanie odpowiednich środków ostrożności polega m.in. na: odkażeniu przed zdemontowaniem, zapewnieniu wentylacji wyciągowej z filtrem w obszarze demontażu, oczyszczeniu obszaru poddanego konserwacji oraz na założeniu odzieży ochronnej.

- Producent lub przeszkolona osoba ma obowiązek przynajmniej raz w roku przeprowadzać kontrolę techniczną, która obejmuje m.in. sprawdzenie filtrów pod kątem uszkodzeń, kontrolę szczelności powietrznej urządzenia oraz ocenę prawidłowości działania mechanizmu sterowania.
- Przy wykonywaniu prac serwisowych lub naprawczych wszystkie przedmioty, których nie da się odpowiednio wyczyścić, należy wyrzucić – w tym celu trzeba je włożyć do szczelnych woreczków i zutylizować zgodnie z lokalnymi przepisami.

Filtr (rys. A, H, I) Dbalność o filtr

Filtry dołączone do tego odkurzacza charakteryzują się trwałością. Aby skutecznie minimalizowały recyrkulację pyłów, **MUSZA** być odpowiednio założone oraz w dobrym stanie.

▲ OSTRZEŻENIE: Przy kontakcie z filtrami należy założyć stosowną odzież ochronną, np. maskę chroniącą przed pyłem i rękawice.

1. Ustaw przełącznik wł./wyt **3** w pozycji OFF i wyjmij wtyczkę kabla z gniazdka.
2. Odepnij zaczepy zbiornika **5** odkurzacza **4** ze zbiornika. Połóż głowicę odkurzacza na płaskiej powierzchni dołem do góry.
3. Każdy filtr obróć **9** w lewo, trzymając za plastikową osłonę (zgodnie z rysunkiem) i powoli zdejmij z głowicy, uważając, by nic nie przedostało się do otworu montażowego.

WSKAZÓWKA: Uważaj, by nie uszkodzić materiału filtracyjnego.

4. Jeśli zajdzie potrzeba umycia **4** głowicy odkurzacza użyj do tego wilgotnej szmatki i mydła, a następnie pozostaw do wyschnięcia. Wyrzuć szmatkę do odpowiedniego pojemnika
5. Sprawdź filtry pod kątem zużycia, postrzępienia lub innych uszkodzeń.

WSKAZÓWKA: W przypadku jakichkolwiek wątpliwości związanych ze stanem filtra TRZEBA go wymienić. **NIE** używaj zniszczonych filtrów.

▲ OSTRZEŻENIE: Nigdy nie używaj skompresowanego powietrza ani szczotki w celu umycia filtra, ponieważ może to uszkodzić jego membranę, co spowoduje przedostawanie się pyłów przez filtr. W razie potrzeby lekko ostukaj o twardą powierzchnię lub przepłukaj letnią wodą, a następnie pozostaw do wyschnięcia. Czyszczenie filtrów z reguły jest niekonieczne, nawet jeśli pokryte są pyłem. System automatycznego czyszczenia zapewnia maksymalną skuteczność i prawidłowe funkcjonowanie. W przypadku uszkodzenia membrany wymień filtr. Filtry mają z reguły trwałość od 6 do 12 miesięcy, w zależności od użytkowania i dbalości.

Montaż filtrów

1. Włóż i zabezpiecz **15** uszczelkę filtra
2. Przyłóż gwint filtra **16** do gwintu głowicy odkurzacza i przekręć filtr w prawo, używając nieco siły.
WSKAZÓWKA: Uważaj, by nie uszkodzić materiału filtracyjnego.
3. Nałóż głowicę odkurzacza **4** na pojemnik i zabezpiecz przy pomocy zaczepów zbiornika **5**

UWAGI: Wyjmij filtr piankowy i zastąp go filtrem wkładowym, gdy wykonujesz czyszczenie na sucho.

Aby zainstalować filtr piankowy

Ten produkt wymaga minimalnej konserwacji przy przejściu z zbierania na sucho na zbieranie na mokro. Do odkurzania niewielkich ilości cieczy można użyć

czystego filtra wkładowego. Aby uzyskać najlepsze rezultaty podczas odkurzania dużych ilości cieczy, należy wyjąć filtr wkładowy i wszelkie filtry przeciwpyłowe jednorazowego lub wielokrotnego użytku. Zainstaluj filtr piankowy 17, jak pokazano na Rys.J. Zainstalowanie filtra piankowego pomoże chronić silnik i zminimalizować możliwość pojawienia się mgły w powietrzu wylotowym lub kapania cieczy wokół pokrywy.

Opróżnianie pojemnika (rys. K)

▲ OSTRZEŻENIE: Aby zminimalizować ryzyko doznania kontuzji na skutek przypadkowego uruchomienia, wyjmij kabel zasilający przed opróżnieniem pojemnika z pyłem.

1. Zdejmij osłonę głowicy ssącej w trybie czyszczenia na mokro/sucho, pociągając za zaczepy znajdujące się po obu stronach odkurzacza. Ściągnij osłonę głowicy ssącej.

2. Wyrzuć zawartość pojemnika do odpowiedniego pojemnika na śmieci.

3. Ciecze mogą być opróżniane przez odpływ ze zbiornika 18. Aby opróżnić, wyłącz urządzenie i wyjmij wtyczkę z gniazdka elektrycznego. Zdejmij korek spustowy i umieść płynne odpady w odpowiednim odpływie. Po opróżnieniu zbiornika przywróć korek spustowy do pierwotnego położenia. Aby kontynuować korzystanie, podłącz przewód do gniazdka elektrycznego i włącz urządzenie.

Podłączanie elektronarzędzia (rys. L, M)

1. Upewnij się, że przełącznik sterujący 3 znajduje się w pozycji „Off” a zasilacz nie jest podłączony.

2. Istnieją 2 opcje dla następnego kroku.

Opcja 1: Podłączenie narzędzia najpierw do odkurzacza, następnie podłącz zasilanie i włącz / wyłącz przełącznik sterujący 3 do pozycji ON (I), w tym czasie odkurzacz zacznie działać.

Opcja 2: Najpierw podłącz narzędzie do odkurzacza, podłącz zasilanie i włącz / wyłącz w tym czasie przełącznik sterujący 3 do pozycji ON (I I) elektronarzędzie zacznie działać.

▲ OSTRZEŻENIE: Użyj gniazdka odkurzacza tylko do podłączenia zewnętrznego narzędzia elektrycznego. Odkurzacz jest automatycznie włączany i wyłączany przez podłączone narzędzie elektryczne.

Podłączone obciążenie elektronarzędzia nie może przekraczać maksymalnej mocy podanej w danych technicznych. Należy również przestrzegać instrukcji obsługi oraz ostrzeżenia dotyczące bezpieczeństwa podłączonego elektronarzędzia gniazdko odkurzacza.

Zalecenie: Zawsze używaj odkurzacza poprzez wyłącznik różnicowoprądowy (RCD) o znamionowej wartości resztkowej prąd 200 mA lub mniej. Upewnij się, że przełącznik elektronarzędzia znajduje się w pozycji „Off” pozycja przed podłączeniem narzędzia do prądu.

Po wyłączeniu elektronarzędzia podłączonego do odkurzacza, odkurzacz będzie pracował jeszcze

około 15 sekund, a następnie wyłączy się automatycznie.

BEZPIECZEŃSTWO ELEKTRYCZNE

1. **Wtyczki elektronarzędzi muszą pasować do gniazdka. Nigdy nie modyfikować wtyczki w żaden sposób. Nie używać żadnych adapterów z uziemionymi elektronarzędziami.** Niezmodyfikowane wtyczki i dopasowane gniazdka zmniejszają ryzyko porażenia prądem.

2. **Unikać kontaktu ciała z uziemionymi powierzchniami, takimi jak rury, grzejniki, piece i lodówki.** Jeśli ciało użytkownika jest uziemione, istnieje zwiększone ryzyko porażenia prądem.

3. **Nie wystawiać elektronarzędzi na działanie deszczu lub wilgoci.** Przedostanie się wody do elektronarzędzia zwiększa ryzyko porażenia prądem.

4. **Nie należy nadużywać przewodu. Nigdy nie używać przewodu do przenoszenia, ciągnięcia lub odłączania elektronarzędzia. Przewód należy trzymać z dala od źródeł ciepła, oleju, ostrych krawędzi lub ruchomych części.** Uszkodzone lub splecione przewody zwiększają ryzyko porażenia prądem.

5. **Podczas korzystania z elektronarzędzia na zewnątrz należy używać przedłużacza odpowiedniego do użytku na zewnątrz.** Użycie przewodu odpowiedniego do użytku na zewnątrz zmniejsza ryzyko porażenia prądem.

6. **Jeśli praca z elektronarzędziem w wilgotnym miejscu jest nieunikniona, należy użyć zasilania zabezpieczonego wyłącznikiem różnicowoprądowym (RCD).** Użycie wyłącznika RCD zmniejsza ryzyko porażenia prądem.

7. Silnik elektryczny został zaprojektowany tylko dla jednego napięcia. Należy zawsze sprawdzać, czy napięcie zasilania odpowiada napięciu podanemu na tabliczce znamionowej. W przypadku uszkodzenia przewodu zasilającego może on zostać wymieniony wyłącznie przez firmę DEWALT lub autoryzowany serwis.

WYMIANA WTYCZKI SIECIOWEJ (WYŁĄCZNIE WIELKA BRYTANIA I IRLANDIA)

Jeśli konieczne jest zamontowanie nowej wtyczki sieciowej:

- Bezpiecznie zutilizować starą wtyczkę.
- Podłączyć brązowy przewód do zacisku pod napięciem we wtyczce.
- Podłączyć niebieski przewód do zacisku neutralnego.
- Podłączyć żółto-zielony przewód do zacisku uziemienia. Postępować zgodnie z instrukcjami montażu dołączonymi do odpowiednich wtyczek. Zalecany bezpiecznik: 13 A.

▲ OSTRZEŻENIE: Nigdy nie używać lekkiego gniazdka przyłącznikowego z oprawką. Nigdy nie podłączać przewodów pod napięciem (L) lub przewodu neutralnego (N) do bolca uziemienia oznaczonego jako Elub $\frac{1}{2}$.

KORZYSTANIE Z PRZEDŁUŻACZA

Jeśli wymagany jest przedłużacz, należy użyć zatwierdzonego 3-żyłowego przedłużacza odpowiedniego dla wejścia zasilania tego narzędzia (patrz **Dane techniczne**). Minimalny rozmiar przewodu to 1,5 mm²; maksymalna długość to 30 m.

Podczas korzystania ze zwiłacza kabla należy zawsze całkowicie rozwinąć kabel.

Funkcja wydmuchu (rys. C)

Odkurzacz wyposażony jest w funkcję wydmuchu. Może posłużyć do wydmuchiwania trocin oraz innych elementów. Można nim wydmuchać pyły i zabrudzenia np. z garażu, tarasu lub podjazdu. Postępuj zgodnie z poniższymi instrukcjami, aby użyć funkcji wydmuchu.

1. Zlokalizuj przyłącze wydmuchu w swoim odkurzaczu.
2. Włóż jedną końcówkę węża o wymiarach przyłącza wydmuchu.
3. Ustaw przełącznik odkurzacza w pozycji "ON"

Przechowywanie (rys. A)

1. Opróżnij zbiornik, patrz instrukcje na temat opróżniania zbiornika w sekcji Obsługa.
2. Wyczyść od wewnątrz i z zewnątrz. Zobacz w sekcji Czyszczenie.
3. Wyczyść lub wymień filtry, zobacz sekcja Filtry.
4. Zwiń wąż ssący oraz kabel zasilający zgodnie z rysunkiem. Umieść urządzenie w suchym pomieszczeniu i zabezpiecz je przed niepowołanym użyciem.

Akcesoria opcjonalne

▲ OSTRZEŻENIE: Akcesoria inne niż DEWALT nie były sprawdzane z tym urządzeniem i dlatego ich użycie może być niebezpieczne. Aby zminimalizować ryzyko doznania urazu, jedynie oryginalne akcesoria DEWALT powinny być zastosowane.

CZYSZCZENIE

Aby utrzymywać odkurzacz z trybem pracy na mokro/sucho w jak najlepszej kondycji, regularnie czyść jego zewnętrzną część ściereczką nasączoną wilgotną wodą i mydłem.

Aby umyć pojemnik:

1. Wyrzuć pyły/zabrudzenia.
2. Dokładnie umyj pojemnik, używając do tego ciepłej wody i mydła.
3. Wytrzyj suchą ściereczką.

PROBLEM	ROZWIĄZANIE
Silnik nie działa	Sprawdź kabel zasilający, wtyczki i gniazdko.
	Ustaw przełącznik wł./wyt. w pozycji ON (1)
Mniejsza wydajność zasysania	Usuń zatony z dyszy ssącej, rurki, węża lub filtrów
	Wymień worek papierowy lub syntetyczny.
	Sprawdź, czy filtry są dobrze zamocowane.
	Wyczyść lub wymień filtry.
Odkurzacz przestaje działać	Opróżnij zbiornik, zobacz punkt Opróżnianie zbiornika w sekcji Obsługa.
	Wyłącznik termiczny został aktywowany: 1. Wyłącz odkurzacz i odłącz go od źródła energii. 2. W razie potrzeby opróżnij zbiornik. 3. Odczekaj, aż odkurzacz przestanie być nagrany. 4. Włóż wtyczkę kabla do gniazdko i ustaw przełącznik wł./wyt. w pozycji ON (1), aby sprawdzić, czy urządzenie działa.
Podczas odkurzania wydostaje się pył	Sprawdź, czy filtry są dobrze zamocowane.
	Dopilnuj, by filtry nie były uszkodzone; w razie potrzeby wymień je.
	Sprawdź, czy uszczelki filtrów są odpowiednio przytwierdzone na swoim miejscu.
	Sprawdź dopasowanie głowicy próżniowej.

▲ OSTRZEŻENIE: Jeśli kabel jest uszkodzony, musi zostać wymieniony przez producenta, uprawnionego serwisanta lub osobę o podobnych kwalifikacjach, aby uniknąć niebezpieczeństwa.

▲ OSTRZEŻENIE:

Ten produkt NIE jest przeznaczony do filtrowania patogenów, na przykład COVID-19. Przestrzegaj wszystkich lokalnych, stanowych i federalnych wytycznych dotyczących ogólnych praktyk czyszczenia.



SPECIFIKACIJE IZDELKA

Model	DXV30SAPTA
Moč	220-240V / 50/60Hz / 1050W
Tlak tesnila	15kPa
Pretok zraka	37,8L/S
Prostornina posode	30L*
Cev	48mm x 2,1m
Napajalni kabel	3Gx1,5mm ² / 3,05m

* Prostornina posode se nanaša na dejansko prostornino posode in ne odraža kapacitete, ki je na voljo med delovanjem.

VSEBINA PAKETA

Paket vsebuje:

- 1 Cev 48 mm x 2,1 m (DXVA19-2558)
- 2 Podaljška (DXVA19-1202)
- 1 Šoba za špranje (DXVA19-1400)
- 1 Šoba za vecnamensko uporabo (DXVA19-1300)
- 1 Talna šoba (DXVA19-1900D)
- 1 Mrežasta torba za dodatno opremo (DXVA19-5158)
- 1 Vrečka za prah za enkratno uporabo (DXVA19-4204)
- 1 Filter Clean Connect™ (DXVC4001)
- 1 Penasti filter (DXVA20-1200A)
- 1 Adapter za orodje (DXVA19-2780)
- 1 Okrogla krtača (DXVA19-2400)
- 1 Komolec (DXVA19-2800)
- 1 Navodila za uporabo
- 1 Paket vijakov
- 4 Kolesca

- Preverite, ali so orodje, deli ali dodatki med transportom morda poškodovani.
- Pred uporabo si vzemite čas, da temeljito preberete in razumete ta priročnik.

DEFINICIJE VARNOSTNE SMERNICE

Spodaj navedene definicije opisujejo stopnjo resnosti za vsako signalno besedo. Prosimo, preberite priročnik in bodite pozorni na te simbole.

▲ NEVARNOST: Opozorilna beseda, ki se uporablja za označevanje neposredno nevarne situacije, ki bo, če se ji ne izognemo, povzročila smrt ali hude poškodbe.

▲ OPOZORILO: Opozorilna beseda, ki se uporablja za označevanje potencialno nevarne situacije, ki lahko, če se ji ne izognemo, povzroči smrt ali hude poškodbe.

▲ POZOR: Opozorilna beseda, ki se uporablja za označevanje potencialno nevarne situacije, ki lahko, če se ji ne izognemo, povzroči manjše ali zmerne poškodbe.

OBVESTILO: Označuje ravnanje, ki ni povezano s telesnimi poškodbami in ki, če ga ne preprečimo, lahko povzroči škodo na premoženju.

POMEMBNA VARNOSTNA NAVODILA

▲ OPOZORILO: Pri uporabi električnih naprav vedno upoštevajte osnovne varnostne ukrepe, da zmanjšate tveganje za požar, električni udar in poškodbe, vključno z naslednjim:

PRED UPORABO NAPRAVE PREBERITE IN UPOŠTEVAJTE VSA NAVODILA.

▲ OPOZORILO: Da bi zmanjšali tveganje električnega udara. Naprave ne izpostavljajte dežju. Shranjujte v zaprtih prostorih.

- Naprave ne puščajte brez nadzora, ko je priključena na vir napajanja. Napravo odklopite iz vira napajanja, ko jo ne uporabljate in pred servisiranjem.
 - Ne dovolite, da se naprava uporablja kot igrača. Bodite zelo pozorni, kadar napravo uporabljajo otroci ali, kadar se naprava uporablja v njihovi bližini.
 - Napravo uporabljajte SAMO tako, kot je opisano v priročniku. Uporabljajte samo pripomočke, ki jih priporoča DEWALT.
 - Naprave ne uporabljajte s poškodovanim kablom ali vtičem. Če naprava ne deluje pravilno ali če je padla na tla, je bila poškodovana, puščena na prostem ali padla v vodo, jo vrnite v servisni center.
 - Naprave ne vlecite ali nosite za kabel, ne uporabljajte kabla kot ročaj, ne zapirajte vrat čez kabel in ne vlecite kabla okoli ostrih robov ali vogalov. Naprave ne peljite čez kabel. Kabel držite stran od vročih površin.
 - Naprave ne izklaplajte iz električnega omrežja tako, da vlečete za kabel. Za izklop primite za vtič, ne za kabel.
 - Ne prijemajte vtiča ali naprave z mokrimi rokami.
 - V odprtine naprave ne vstavljajte nobenih predmetov. Naprave ne uporabljajte, če je katera koli odprtina blokirana; poskrbite, da v njej ne bo prahu, vlaken, las in česar koli drugega, kar bi lahko zmanjšalo pretok zraka.
 - Lase, ohlapna oblačila, prste in vse dele telesa držite stran od odprtine in gibljivih delov.
 - Preden napravo izključite iz električnega omrežja, izklopite vse krmilne elemente.
 - Pri čiščenju na stopnicah bodite še posebej previdni.
 - Naprave ne uporabljajte za sesanje vnetljivih ali gorljivih tekočin, kot je bencin in je ne uporabljajte na območjih, kjer so prisotne vnetljive ali gorljive tekočine.
 - Statični šoki so možni v suhih prostorih ali pri nizki relativni vlažnosti zraka. To je le začasno in ne vpliva na uporabo sesalnika. Za zmanjšanje pogostosti statičnih šokov vlažite zrak s konzolo, nameščenim vlažilnikom zraka ali uporabite cev (standardno pri nekaterih modelih).
 - Da preprečite samovžig, po vsaki uporabi izpraznite posodo za prah.
- ▲ POZOR:** Naprava ni namenjena uporabi s strani oseb (vključno z otroki) z zmanjšanimi fizičnimi, senzoričnimi ali duševnimi sposobnostmi ali s pomanjkanjem izkušenj in znanja, razen če jih oseba, ki je odgovorna za njihovo varnost, nadzoruje ali jim daje navodila glede uporabe naprave. Otroke je treba nadzorovati, da se zagotovi, da se ne igrajo z napravo.

SHRANITE TA NAVODILA DODATNE VARNOSTNE INFORMACIJE

- Ne sesajte ničesar, kar gori ali kadi, kot so cigarete, vžigalice ali vroč pepel.
- Ne uporabljajte za sesanje vnetljivih eksplozivnih snovi, kot so premog, žito ali druge drobno razpršene vnetljive snovi.
- Ne uporabljajte za sesanje nevarnih, strupenih ali rakotvornih materialov, kot so azbest ali pesticidi.
- Nikoli ne sesajte eksplozivnih tekočin (npr. bencina, dizelskega goriva, kurilnega olja, razredčila za barve itd.), kislin ali topil.
- Ne uporabljajte sesalnika brez nameščenih filtrov, razen kot je opisano v poglavju **UPORABA ZA MOKRO SESANJE**.
- Nekatero vrsto lesa vsebujejo konzervanse, ki so lahko strupeni. Pri delu s temi materiali bodite še posebej previdni, da preprečite vdihavanje in stik s kožo. Zahtevajte in upoštevajte vse varnostne informacije, ki so na voljo pri dobavitelju materiala.
- Sesalnika ne uporabljajte kot lestve.
- Na sesalnik ne postavljajte težkih predmetov.
- Podaljšek mora imeti ustrezno velikost žice zaradi varnosti.
- Če se podaljšek uporablja na prostem, mora biti označen.

▲ OPOZORILO:

Da zmanjšate izpostavljenost tem kemikalijam, nosite odobreno zaščitno opremo, kot so zaščitne maske, ki so posebej zasnovane za filtriranje mikroskopskih delcev.

▲ WARNING:

- ZA ZMANJŠANJE TVEGANJA POŠKODB MORA UPORABNIK PREBERITI NAVODILA ZA UPORABO. SESALNIKA NE PUŠČAJTE BREZ NADZORA, KO JE VKLOPLJEN. NE SESAJTE VNETLJIVIH, GNETLJIVIH ALI VROČIH MATERIALOV. NE UPORABLJAJTE V BLIŽINI EKSPLOZIVNEGA PRAHU, TEKOČIN ALI HLAPOV. ELEKTRIČNE NAPRAVE PROIZVAJAJO LOKE ALI ISKRE, KI LAHKO POVZROČIJO POŽAR ALI EKSPLOZIJO. NE UPORABLJAJTE NA BENZINSKIH ČRPALKAH ALI KJERKOLI, KJER SE SKLADIŠČI ALI TOČI BENZIN. NE SESAJTE STRUPENIH ALI RAKOTVORNIH MATERIALOV ALI DRUGIH ZDRAVJU NEVARNIH MATERIALOV, KOT SO AZBEST ALI PESTICIDI. VEDNO UPORABLJAJTE USTREZNO ZAŠČITO ZA OČI IN DIHALA. DA ZMANJŠATE NEVARNOST ELEKTRIČNEGA UDARA, NE IZPOSTAVLJAJTE DEŽJU. SHRANJUJTE V NOTRANJIH PROSTORIH. PRI SERVISIRANJU UPORABLJAJTE SAMO IDENTIČNE NADOMESTNE DELE. NE UPORABLJAJTE KOT PRUČKO.

SHRANITE TA NAVODILA NAVODILA ZA UPORABO

POVZETEK GLEDE RAZPAKIRANJA IN NASTAVITVE

1. Povlecite zapahe pokrova navzven, odstranite napajalno glavo in dodatke, ki so morda bili poslani v posodi.
2. Namestite gumirana kolesa v skladu z navodili v tem priročniku.
3. Pred zamenjavo napajalne glave si oglejte ta priročnik, da se prepričate, da imate nameščene ustrezne filtre za čiščenje.
4. Namestite napajalno glavo nazaj in s palcem pritisnite na vsako zaporo, dokler se ne zaskoči. Prepričajte se, da so vsi zapahi pokrova varno pritrjeni.
5. Konec cevi vstavite v dovod posode.
6. Na konec cevi pritrдите podaljške. Rahlo pritiskajte, dokler ni tesno pritrjeno.
7. Na podaljške pritrдите enega od čistilnih pripomočkov (odvisno od zahtev čiščenja). Rahlo zavrtite, da zategnete povezavo.
8. Priključite kabel v stensko vtičnico. Sesalnik je pripravljen za uporabo.

▲ OPOZORILO:

Da bi zmanjšali tveganje požara ali eksplozije, sesalnika ne uporabljajte v območjih z vnetljivimi plini, hlapi ali eksplozivnim prahom v zraku. Vnetljivi plini ali hlapi vključujejo, vendar niso omejeni na: tekočino za vžigalnike, čistila na osnovi topil, barve na oljni osnovi, bencin, alkohol ali aerosolna razpršila. Eksplozivni prah vključuje, vendar ni omejen na: premog, magnezij, aluminij in žito ali smodnik. Ne sesajte eksplozivnega prahu, vnetljivih ali gorljivih tekočin ali vročega pepela. Tega sesalnika ne uporabljajte kot razpršilnika za vnetljive ali gorljive tekočine. Da bi zmanjšali tveganje za zdravje zaradi hlapov ali prahu, ne sesajte strupenih materialov.

POMEMBNI VARNOSTNI UKREPI

Simbol na izdelku ali embalaži označuje, da izdelek ne sme biti obravnavan kot gospodinjiski odpadke. Namesto tega ga je treba oddati na zbirnem mestu za recikliranje električnih in elektronskih komponent. Z zagotavljanjem pravilnega ravnanja z izdelkom boste preprečili negativni vpliv na okolje in zdravje, ki bi lahko nastal zaradi odlaganja izdelka med običajne gospodinjiske odpadke. Za dodatne informacije o recikliranju se obrnite na lokalne oblasti, službo za odvoz odpadkov ali prodajalno, kjer ste blago kupili.

VAROVANJE OKOLJA



Ločeno zbiranje. Izdelkov in baterij, označenih s tem simbolom, ne smete odvreči med običajne gospodinjiske odpadke.

Izdelki in baterije vsebujejo materiale, ki jih je mogoče predelati ali reciklirati, kar zmanjšuje povpraševanje po surovinah. Prosimo, reciklirajte električne izdelke in baterije v skladu z lokalnimi predpisi. Več informacij je na voljo na spletni strani www.2helpU.com

OPIS (slika A)

▲ OPOZORILO: Nikoli ne spreminjajte električne naprave ali katerega koli njenega dela. Lahko pride do škode ali telesnih poškodb.

- 1 Trden ročaj/navijanje kabla
- 2 Napajalni kabel
- 3 Stikalo za vklop/izklop
- 4 Sesalna glava
- 5 Zapahi pokrova
- 6 Posoda za prah
- 7 Cev
- 8 Kolesca
- 9 Filter Clean Connect™
- 10 Sesalna odprtina
- 11 Trak za cev
- 12 Vrečka za prah za enkratno uporabo

SESTAVLJANJE IN NASTAVITVE (slika A-C)

▲ OPOZORILO: Da zmanjšate tveganje poškodb, pred nameščanjem in odstranjevanjem dodatne opreme, pred nastavljanjem ali spreminjanjem nastavitev ali pred popravlilom izklopite napravo in jo odklopite iz električnega omrežja. Nenamerno zagon lahko povzroči poškodbe.

▲ OPOZORILO: Filter 9 mora biti med sesanjem vedno nameščen, razen kot je opisano v poglavju UPORABA MOKROGA SESANJA v razdelku DELOVANJE. Pri sesanju finega prahu boste morda morali uporabiti tudi vrečko za prah za enkratno uporabo, da boste lažje izpraznili posodo za prah.

1. Namestite vrečko za prah za enkratno uporabo 12, kot je prikazano na **sliki B**.

OPOMBA: Pazite, da vrečke ne strgate. Vrečko trdno namestite na odprtino sesalnika 10, da zagotovite tesno prileganje za maksimalno učinkovitost zbiranja prahu.

2. Namestite glavo sesalnika 4 na posodo za prah in jo pritrdite tako, da zaprete zapahe pokrova 5.
3. Konec cevi 7 vstavite v vakuumski priključek cevi 10 in konec cevi privijte na posodo.

DELOVANJE

NAVODILA ZA UPORABO (slika A, D, E)

▲ OPOZORILO: Vedno upoštevajte varnostna navodila in veljavne predpise.

1. Plug the power cord into an appropriate outlet.
2. Obrnite stikalo za vklop/izklop 3 v položaj VKLOP (I).
3. DEWALT sesalnik za gradbeni prah je opremljen s priključnim sistemom DEWALT. Omogoča hitro in varno povezavo med cevjo 7 in električnim orodjem. Priključek 13 se neposredno povezuje z orodji, ki so združljiva z DEWALT, ali z uporabo adapterja (na voljo pri lokalnem dobavitelju DEWALT). Če morate namestiti adapterje, glejte **sliko E**.

OPOMBA: Če uporabljate adapter, se pred naslednjim postopkom prepričajte, da je trdno pritrjen na izhod orodja.

NAVODILA ZA UPORABO

NAMESTITEV KOLESC (slika A, F)

1. Obrnite posodo za prah in namestite kolesca na dno posode ter jih pritrdite z vijaki.
2. Sklop posode za prah postavite v pokončen položaj.

ODSTRANITE/ZAMENJAJTE RABLJENO VREČKO ZA PRAH ZA ENKRATNO UPORABO (slika A)

▲ OPOZORILO: Pri ravnanju z rabljenimi vrečkami za prah je treba uporabljati ustrezno osebno zaščitno opremo, kot sta maska za prah in rokavice.

1. Izklopite sesalnik in izvlecite kabel iz vtičnice.
2. Odprite zapahe pokrova 5 in odstranite glavo sesalnika 4.
3. Previdno izvlecite vrečko za prah za enkratno uporabo 12 iz sesalnega priključka 10.
4. Odprtino vrečke za prah za enkratno uporabo 12 tesno zaprite, ko jo odstranjujete iz naprave.
5. Vrečko za prah za enkratno uporabo 12 odvrzite v ustrezno posodo v skladu z zakonskimi določili.

UPORABA MOKREGA SESANJA (slika A, G)

▲ OPOZORILO: Če iz naprave uhaja pena ali tekočina, jo takoj izklopite.

▲ OPOZORILO: Naprave s to nastavitvijo ne uporabljajte za prah razreda L. Kroglični plovec 14 bo blokiral dovod zraka do motorja, ko bo posoda za prah polna, zvok motorja pa se bo takoj spremenil.

Ko motor oddaja visok ton in pretok zraka/vode preneha, izpraznite posodo za prah.

1. Izklopite sesalnik in izvlecite kabel iz vtičnice.
2. Odprite zapahe pokrova 5 in odstranite glavo sesalnika 4.
3. Izpraznite vsebino posode za prah 6 v primerno posodo ali odtok.

▲ OPOR: Napravo za omejevanje nivoja vode redno čistite in preglejte, ali je poškodovana. Glejte **sliko G**.

OBVESTILO: NE odstranjujte krogličnega plovca 14, saj boste s tem poškodovali sesalnik. Kroglični plovec preprečuje vdor vode v motor.

Pred uporabo sesalnika za mokro sesanje:

- EPrepričajte se, da je posoda za prah prazna in brez prekomernega prahu.
- Odstranite filter 9.

ZA VRNITEV NA DELOVANJE S SUHIM SESALNEM (slika A)

1. Izpraznite posodo za prah, glejte navodila za **PRAZENJE POSODE ZA PRAH**.
2. Posodo za prah obrnite navzdol, dokler se ne posuši. **NE** uporabljajte mokre posode za prah za suho sesanje.
3. Sesalno glavo 4 postavite na ravno površino, da se aparat posuši.
4. Ko je glava sesalnika suha, ponovno namestite filtre. Glejte Filtri v poglavju Vzdrževanje.
5. Ko se posoda za prah posuši, namestite glavo sesalnika 4 na posodo za prah in jo pritrдите tako, da zaprete zapahe pokrova 5.

IZKLOP/PREVOZ (slika A)

1. Obrnite stikalo za vklop/izklop 3 v položaj IZKLOP.
2. Izključite enoto iz električnega omrežja.
3. Napajalni kabel 2 shranite tako, da ga ovijete okoli trdnega ročaja/navjalca kabla 1, kot je prikazano.
4. Pri prevozu v vozilih stroj zavarujte.

VZDRŽEVANJE

Naprava DEWALT je zasnovana za dolgotrajno delovanje z minimalnim vzdrževanjem. Nепrekinjeno zadovoljivo delovanje je odvisno od pravilne nege naprave in rednega čiščenja.

⚠OPOZORILO: Da zmanjšate tveganje poškodb, pred nameščanjem in odstranjevanjem dodatne opreme, pred nastavljanjem ali spreminjanjem nastavitvev ali pred popravilom izklopite napravo in jo odklopite iz električnega omrežja. Nenameren zagon lahko povzroči poškodbe.

⚠OPOZORILO: Pri uporabniškem vzdrževanju je treba stroj razstaviti, očistiti in servisirati, kolikor je to razumno izvedljivo, ne da bi pri tem ogrozili vzdrževalno oseboje in druge. Ustrezni previdnostni ukrepi vključujejo dekontaminacijo pred razstavljanjem, zagotovitev lokalnega filtriranega izpušnega prezračevanja na mestu razstavljanja stroja, čiščenje vzdrževalnega območja in ustrezno osebno zaščito.

- Proizvajalec ali pooblaščen oseba mora vsaj enkrat letno opraviti tehnični pregled, ki vključuje na primer pregled filtra glede poškodb, zrakotesnosti stroja in pravilnega delovanja krmilnega mehanizma.
- Pri izvajanju servisnih ali popravilnih del je treba vse onesnažene predmete, ki jih ni mogoče zadovoljivo očistiti, zavreči; takšne predmete je treba odvreči v neprepustnih vrečah v skladu z veljavnimi predpisi za odstranjevanje takšnih odpadkov.

FILTER (slika A, H, I)

NEGA FILTRA

TFiltri, ki so priloženi temu sesalniku, so filtri z dolgo življenjsko dobo. Da bi filtri učinkovito zmanjšali recirkulacijo prahu, **MORAJO** biti pravilno nameščeni in v dobrem stanju.

⚠OPOZORILO: Pri delu s filtri je treba uporabljati ustrezno osebno zaščitno opremo, kot sta maska za prah in rokavice.

Odstranitev filtra Clean Connect

1. Obrnite stikalo za vklop/izklop 3 v položaj IZKLOP (O) in izvlecite kabel iz vtičnice.
2. Sprostite zapahe pokrova 5 in odstranite glavo sesalnika 4 iz posode. Sesalno glavo postavite na ravno površino obrnjeno navzdol.
3. Vsak filter 9 obrnite v nasprotni smeri urinega kazalca tako, da ga primete za plastični pokrov, kot je prikazano, in ga previdno odstranite z glave, pri čemer pazite, da delci ne padejo v montažno odprtino.

OPOMBA: Pazite, da ne poškodujete materiala filtra.

4. Če je treba očistiti spodnjo stran sesalne glave 4, uporabite krpo, navlaženo z vodo in blagim milom, in pustite, da se posuši. Krpo odvrzite v ustrezno posodo.
5. Preverite filtre glede obrabe, raztrganin ali drugih poškodb.

OPOMBA: Če obstaja kakršen koli dvom o stanju filtrov, jih je treba zamenjati. Če so filtri poškodovani, **NE** nadaljujte z uporabo.

⚠OPOZORILO: Za čiščenje filtrov nikoli ne uporabljajte stisnjene zraka ali krtače, saj lahko pride do poškodbe membrane filtra, kar bo omogočilo prehod prahu skozi filter. Po potrebi nežno potrkajte ob trdo površino ali sperite z vodo sobne temperature in pustite, da se posuši na zraku. Čiščenje filtrov običajno ni potrebno, tudi če so prekriti s prahom. Samodejni sistem čiščenja filtra bo ohranil maksimalno zmogljivost in še naprej deloval. Če so vidne poškodbe filtrirne membrane, filtre zamenjajte. Filtri običajno zdržijo od šest do dvanaest mesecev, odvisno od uporabe in nege.

Namestitev filtra Clean Connect

1. Prepričajte se, da so tesnila filtra 15 nameščena in varno pritrjena.
2. Poravnajte navoje filtra 16 z navoji sesalne glave in z zmerno silo zavrtite filter v smeri urinega kazalca, dokler ni tesno prilepljen.

OPOMBA: Uporabljajte previdno, da ne poškodujete materiala filtra.

3. Namestite glavo sesalnika 4 na posodo za prah in jo pritrдите tako, da zaprete zapahe pokrova 5.

OPOMBA: Odstranite penasti filter in ga zamenjajte s kartušnim filtrom, ko izvajate suho sesanje.

Namestitev penastega filtra

Ta sesalnik zahteva minimalno predelavo pri prehodu s suhega na mokro sesanje. Za sesanje majhnih količin tekočine lahko uporabite čisti kartušni filter. Za najboljše rezultate pri sesanju velikih količin tekočine odstranite kartušni filter in morebitne filtre za prah za enkratno ali večkratno uporabo. Namestite penasti filter **17**, kot je prikazano na **sliki J**. Namestitev penastega filtra bo pomagala zaščititi motor in zmanjšala možnost rosenja, ki se lahko pojavi v izpušnem zraku ali kapljanju tekočine okoli pokrova.

PRAZNENJE POSODE ZA PRAH (slika K)

▲ OPOZORILO: Da zmanjšate tveganje za poškodbe zaradi nenamernega zagona, izklopite napajalni kabel pred praznjenjem posode za prah **6**.

1. Odstranite sklop napajalne glave sesalnika za mokro/suho sesanje tako, da potegnete navzven sponke pokrova, ki se nahajajo na obeh straneh sesalnika. Dvignite sklop napajalne glave.
2. Prah iz rezervoarja odložite v ustrezno posodo za odpadke.
3. Tekočine se lahko izprazni skozi odtok rezervoarja **18**. Za praznjenje izklopite napravo in izvlecite vtič iz stenske vtičnice. Odstranite pokrovček za izpust in vsebino tekočih odpadkov odložite v primeren odtok. Ko je rezervoar prazen, vrnite pokrovček za izpust v prvotni položaj. Za nadaljnjo uporabo priključite kabel v stensko vtičnico in vklopite napravo.

PRIKLOP ELEKTRIČNEGA ORODJA (slika L, M)

1. Prepričajte se, da je krmilno stikalo **3** v položaju »Izklopljeno« in da napajanje ni priključeno.
2. Za naslednji korak sta na voljo 2 možnosti.
Možnost 1: Najprej priključite orodje na sesalnik, nato priključite napajanje in postavite krmilno stikalo za vklop/izklop **3** v položaj VKLOP (I), sesalnik bo takrat začel delovati.
Možnost 2: Najprej priključite orodje na sesalnik, nato priključite napajanje in postavite krmilno stikalo za vklop/izklop **3** v položaj VKLOP (I I), v tem trenutku lahko električno orodje začnete uporabljati.

▲ OPOZORILO: Vtičnico sesalnika uporabljajte samo za priklop zunanjega električnega orodja. Sesalnik se samodejno vklopi in izklopi prek priključenega električnega orodja.

Priključna moč električnega orodja ne sme presežati največje priključne moči PA vtičnice sesalnika.

Upošteвайте tudi navodila za uporabo in varnostna opozorila za električno orodje, ki ga priključujete na vtičnico sesalnika.

PRIPOROČILO: Sesalnik vedno uporabljajte prek zaščitnega stikala za preostali tok (RCD) z nazivnim preostalim tokom 200 mA ali manj.

Preden orodje priključite na sesalnik, se prepričajte, da je stikalo električnega orodja v položaju „Izklopljeno“

Po izklopu električnega orodja, priključenega na vtičnico sesalnika, bo sesalnik deloval približno 15 sekund in se nato samodejno izklopil.

ELEKTRIČNA VARNOST

1. **Vtiči električnega orodja morajo ustrezati vtičnici. Vtiča nikoli ne spreminjajte na noben način. Ne uporabljajte adapterjev z vzemljenim (ozemljenim) električnim orodjem.** Nespremenjeni vtiči in ustrezne vtičnice bodo zmanjšali tveganje za električni udar.
2. **Izogibajte se telesnemu stiku z ozemljenimi površinami, kot so cevi, radiatorji, štedilniki in hladilniki.** Če je vaše telo ozemljeno, obstaja povečano tveganje električnega udara.
3. **Električna orodja ne izpostavljajte de ju ali mokrim razmeram.** Vdor vode v tlačko poveča tveganje električnega udara.
4. **Ne poškodujte kabla. Nikoli ne uporabljajte kabla za prenašanje, vlečenje ali izklapljanje električnega orodja.** Kabel hranite stran od toplote, olja, ostrih robov ali gibljivih delov. Poškodovani ali zapleteni kabli povečajo tveganje električnega udara.
5. **Pri uporabi električnega orodja na prostem uporabljajte podaljšek, primeren za uporabo na prostem.** Uporaba kabla, primernega za zunanjo uporabo, zmanjšuje tveganje za električni udar.
6. **Če se uporabi električnega orodja v vla nem prostoru ni mogoče izogniti, uporabite zaščitno stikalo za preostali tok (RCD).** Uporaba RCD zmanjša tveganje električnega udara.
7. Elektromotor je zasnovan samo za eno napetost. Vedno preverite, ali napajanje ustreza napetosti na nazivni ploščici. Če je napajalni kabel poškodovan, ga sme zamenjati samo DEWALT ali pooblaščen servisna organizacija.

ZAMENJAVA GLAVNEGA VTIČA (SAMO ZA ZDRUŽENO KRALJSTVO IN IRSKO)

Če je treba namestiti nov glavni vtič:

- Stari vtič varno zavržite.
- Rjavi vodnik priključite na fazni priključek v vtiču.
- Modri vodnik priključite na nevtralni priključek.
- Rumeno/zeleni vodnik priključite na ozemljitveno sponko.

Sledite navodilom za montažo, ki so priložena kakovostnim vtičem. Priporočena varovalka: 13A.

▲ OPOZORILO: Nikoli ne uporabljajte vtičnice za svetilko. Nikoli ne priključujte fazne (L) ali nevtralne (N) žice na ozemljitveni priključek, označen z E ali \perp .

UPORABA PODALJŠKA

Če potrebujete podaljšek, uporabite odobren 3-žilni podaljšek, primeren za vhodno moč tega orodja (glejte **Tehnični podatki**). Najmanjši premer prevodnika je 1,5 mm²; največja dolžina je 30 m.

Pri uporabi kablanskega koluta kabel vedno popolnoma odvijte.

PIHALNA FUNKCIJA (slika C)

▲ OPOZORILO: Da bi se izognili poškodbam mimooidočih, jih držite stran od izpihskih odpadkov. Sesalnik ima funkcijo pihanja. Ima zmožnost, da odpadne žaganje in druge odpadke. Uporablja se lahko za pihanje prahu in umazanije iz garaž ali s teras in dovozov. Za uporabo sesalnika kot pihalnika sledite spodnjim korakom.

1. Poiščite pihalno odprtino na sesalniku.
2. Vstavite en konec cevi v pihalno odprtino.
3. Vključite sesalnik.

SKLADIŠČENJE (slika A)

1. Izpraznite posodo za prah, glejte navodila za **PRAZENJE POSODE ZA PRAH**.
2. Očistite sesalnik znotraj in zunaj. **Glejte ČIŠČENJE.**
3. Očistite ali zamenjajte filtre, glejte **FILTER**.
4. Cev in napajalni kabel shranite, kot je prikazano na **sliki A**. Napravo postavite v suh prostor in jo zavaruje pred nepooblaščenno uporabo.

IZBIRNA DODATNA OPREMA

▲ OPOZORILO: Ker dodatki, razen tistih, ki jih ponuja DEWALT, niso bili preizkušeni s tem izdelkom, je uporaba takih dodatkov s tem aparatom lahko nevarna.

Za zmanjšanje tveganja za poškodbe s tem izdelkom uporabljajte samo dodatki, ki jih priporoča DEWALT.

ČIŠČENJE

Da bo enota ostala v najboljšem stanju, zunanost očistite s krpo, navlaženo s toplo vodo in blagim milom. Za čiščenje posode

1. Odvrzite odpadke.
2. Posodo temeljito operite s toplo vodo in blagim milom.
3. Obrišite s suho krpo.

ODPRAVLJANJE TEŽAV

▲ OPOZORILO:

Manjše težave je pogosto mogoče odpraviti brez klicanja službe za pomoč strankam.

TEŽAVA	REŠITEV
Motor ne deluje.	Preverite napajalni kabel, vtiče in vtičnico. Prepričajte se, da je stikalo za vklop/izklop v položaju VKLOP (!)
Sesalna zmogljivost se zmanjša.	Odstranite ovire v šobi za tla, podaljških, cevi ali filtru. Zamenjajte vrečko za prah za enkratno uporabo. Preverite pravilno namestitev filtra. Očistite ali zamenjajte filter. Izpraznite posodo za prah, glejte PRAZENJE POSODE v NAVODILIH ZA UPORABO.
Sesalnik preneha delovati.	Sprožila se je termična preobremenitev: 1. Izklopite enoto in jo odklopite iz vira napajanja. 2. Po potrebi izpraznite posodo za prah. 3. Pustite, da se enota ohladi. 4. Prikjučite napajalni kabel v ustrezno vtičnico in stikalo za vklop/izklop preklopite v položaj VKLOP (!), da preizkusite.
Med sesanjem ven prihaja prah.	Preverite pravilno namestitev filtrov. Prepričajte se, da filtri niso poškodovani; po potrebi jih zamenjajte. Prepričajte se, da so tesnila filtra nameščena in varno pritrjena. Preverite prileganje glave sesalnika.

▲ OPOZORILO: Če je napajalni kabel poškodovan, ga mora zamenjati proizvajalec, njegov serviser ali podobno usposobljena oseba, da se izognete nevarnosti.

▲ OPOZORILO: Ta izdelek se NE sme uporabljati za filtriranje patogenov, na primer COVID-19. Upoštevajte vsa lokalna, državna in zvezna navodila glede splošnih praks čiščenja.



SPECIFIKACIJE PROIZVODA

Model	DXV30SAPTA
Moć	220-240V / 50/60Hz / 1050W
Pritisak zaptivke	15kPa
Protok zraka	37,8L/S
Kapacitet rezervoara	30L*
Crijevo	48mm x 2,1m
Kabel za napajanje	3Gx1,5mm ² / 3,05m

* Kapacitet rezervoara se odnosi na stvarnu zapreminu rezervoara i ne odražava kapacitet dostupan tokom rada.

SADRŽAJ PAKETA

Paket sadrži:

- 1 crijevo 48mm x 2.1m (DXVA19-2558)
 - 2 produžene cijevi (DXVA19-1202)
 - 1 nastavak za uske prostore (DXVA19-1400)
 - 1 Višenamjenska mlaznica (DXVA19-1300)
 - 1 nastavak za pod (DXVA19-1900D)
 - 1 Mrežasta torba za dodatnu opremu (DXVA19-5158)
 - 1 vrećica za prašinu za jednokratnu upotrebu (DXVA19-4204)
 - 1 Clean Connect™ filter (DXVC4001)
 - 1 pjenasti filter (DXVA20-1200A)
 - 1 Adapter za alat (DXVA19-2780)
 - 1 Okrugla četka (DXVA19-2400)
 - 1 Lakat (DXVA19-2800)
 - 1 Uputstvo za upotrebu
 - 1 Paket sa zavrtnjima
 - 4 kotačića
- Provjerite ima li oštećenja na alatu, dijelovima ili priboru koja su mogla nastati tokom transporta.
 - Prije upotrebe, odvojite vrijeme da pažljivo pročitate i razumijete ovaj priručnik.

DEFINICIJE: SIGURNOSNE SMJERNICE

Definicije u nastavku opisuju nivo ozbiljnosti za svaku signalnu riječ. Molimo pročitate uputstvo i obratite pažnju na ove simbole.

▲ OPASNOST: Signalna riječ koja se koristi za označavanje neposredne opasne situacije koja će, ako se ne izbjegne, rezultirati smrću ili teškim povredama.

▲ UPOZORENJE: Signalna riječ koja se koristi za označavanje potencijalno opasne situacije koja, ako se ne izbjegne, može rezultirati smrću ili teškim povredama.

▲ OPREZ: Signalna riječ koja se koristi za označavanje potencijalno opasne situacije koja, ako se ne izbjegne, može rezultirati lakšim ili umjerenim povredama.

OBAVJEŠTENJE! Označava praksu koja nije povezana s tjelesnim ozljedama, a koja, ako se ne izbjegne, može rezultirati materijalnom štetom.

VAŽNE SIGURNOSNE UPUTE

▲ UPOZORENJE: Pročitajte sva sigurnosna upozorenja i sve upute. Nepoštivanje upozorenja i uputa može dovesti do strujnog udara, požara i/ili ozbiljnih ozljeda.

PRIJE UPOTREBE URE AJA, PROČITAJTE I PRIDR AVAJTE SE SVIH UPUTA.

▲ UPOZORENJE: Da biste smanjili rizik od strujnog udara. Ne izlažite uređaj kiši. Čuvati u zatvorenom prostoru.

- Ne ostavljajte uređaj bez nadzora kada je priključen na izvor napajanja. Isključite iz izvora napajanja kada se ne koristi i prije servisiranja.
- Ne dozvolite da se uređaj koristi kao igračka. Budite posebno oprezni kada uređaj koristite djeca ili kada se koristi u njihovoj blizini.
- Koristite uređaj SAMO onako kako je opisano u priručniku. Koristite samo dodatke koje preporučuje DEWALT.
- Ne koristite uređaj s oštećenim kablom ili utikačem. Ako uređaj ne radi ispravno, ili ako je pao, oštećen, ostavljen na otvorenom ili upao u vodu, vratite ga u servisni centar.
- Ne vucite niti nosite uređaj za kabel, ne koristite kabel kao ručku, ne zatvarajte vrata preko kabela niti ga povlačite oko oštih rubova ili uglova. Nemojte prevlačiti uređaj preko kabl. Držite kabel dalje od zagrijanih površina.
- Ne isključujte uređaj iz struje povlačenjem kabl. Da biste isključili utikač, uhvatite ga za utikač, a ne za kabel.
- Ne rukujte utikačem ili uređajem mokrim rukama.
- Ne stavljajte nikakve predmete u otvore uređaja. Ne koristite uređaj ako je bilo koji otvor blokiran; držite ga čistim od prašine, vlakana, kose i svega ostalog što može smanjiti protok zraka.
- Kosu, labavu odjeću, prste i sve dijelove tijela držite dalje od otvora i pokretnih dijelova.
- Isključite sve kontrole prije isključivanja uređaja.
- Budite posebno oprezni prilikom čišćenja stepenica.
- Ne koristite uređaj za usisavanje zapaljivih ili eksplozivnih tekućina, poput benzina, niti ga koristite u područjima gdje su prisutne zapaljive ili eksplozivne tekućine.
- Statički udari su moguću u suhim prostorima ili kada je relativna vlažnost zraka niska. Ovo je samo privremeno i ne utiče na upotrebu usisivača. Da biste smanjili učestalost statičkih udara, ovlažite zrak pomoću konzole, instaliranog ovlaživača zraka ili koristite crijevo (standardno na nekim modelima).
- Da biste izbjegli spontano sagorijevanje, ispraznite spremnik za prašinu nakon svake upotrebe.

▲ OPREZ: Uređaj nije namijenjen za upotrebu od strane osoba (uključujući djecu) sa smanjenim fizičkim, senzornim ili mentalnim sposobnostima ili bez iskustva i znanja, osim ako nisu pod nadzorom ili im nisu data uputstva o korištenju uređaja od strane osobe odgovorne za njihovu sigurnost.

Djecu treba nadzirati kako bi se osiguralo da se ne igraju s uređajem.

SAČUVAJTE OVE UPUTE ADODATNA SIGURNOSNA PRAVILA

- Ne usisavajte ništa što gori ili dimi, poput cigareta, šibica ili vrućeg pepela.
- Ne koristite za usisavanje zapaljivih eksplozivnih materijala, kao što su ugali, žitarice ili drugi fino usitnjeni zapaljivi materijali.
- Ne koristite za usisavanje opasnih, toksičnih ili kancerogenih materijala, kao što su azbest ili pesticidi.
- Nikada ne usisavajte eksplozivne tekućine (npr. benzin, dizel gorivo, ulje za loženje, razrjeđivač boje itd.), kiseline ili rastvarače.
- Ne koristite usisivač bez filtera, osim kako je opisano u odjeljku **PRIMJENA ZA MOKRO USISAVANJE**.
- Neke vrste drveta sadrže konzervanse koji mogu biti otrovni. Prilikom rada s ovim materijalima, obratite posebnu pažnju kako biste spriječili udisanje i kontakt s kožom. Zatražite i slijedite sve sigurnosne informacije dostupne od dobavljača materijala.
- Ne koristite usisivač kao ljestve.
- Ne stavljajte teške predmete na usisivač.
- Produžni kabel mora imati odgovarajuću veličinu žice radi sigurnosti.
- Ako se produžni kabel koristi na otvorenom, mora biti označen.

▲ UPOZORENJE:

Da biste smanjili izloženost ovim hemikalijama, nosite odobrenu zaštitnu opremu kao što su maske za prašinu koje su posebno dizajnirane za filtriranje mikroskopskih čestica.

▲ WARNING:

• **DA BI SE SMANJIO RIZIK OD POVREDA, KORISNIK MORA PROČITATI UPUTSTVO ZA UPOTREBU. NE OSTAVLJAJTE USISIVAČ BEZ NADZORA KADA JE UKLJUČEN. NE USISAVAJTE ZAPALJIVE, GORIVE ILI VRUĆE MATERIJALE. NE KORISTITE U BLIZINI EKSPLOZIVNE PRAŠINE, TEKUĆINA ILI PARE. ELEKTRIČNI UREĐAJI PROIZVODE VARNICE ILI ISKRE KOJE MOGU IZAZVATI POŽAR ILI EKSPLOZIJU. NE KORISTITE NA BENZINSKIM PUMPAMA ODNOSNO NIGDJE GDJE SE BENZIN SKLADIŠTI ILI TOČI. NE USISAVAJTE TOKSIČNE ILI KANCEROGENE MATERIJALE ILI DRUGE MATERIJALE OPASNE PO ZDRAVLJE KAO ŠTO SU AZBEST ILI PESTICIDI. UVIJEK KORISTITE ODGOVARAJUĆU ZAŠTITU ZA OČI I RESPIRATORNE ORGANE. DA**

BISTE SMANJILI RIZIK OD STRUJNOG UDARA, NE IZLAŽITE KIŠI. ČUVATI U ZATVORENOM PROSTORU. PRI SERVISIRANJU KORISTITE SAMO IDENTIČNE REZERVNE DIJELOVE. NE KORISTITE KAO HOKLICU.

SAČUVAJTE OVE UPUTE UPUTE ZA RAD

SAŽETAK RASPAKIVANJA I POSTAVLJANJA

1. Povucite zasune poklopca prema van, uklonite glavu za napajanje i neke dodatke koji su možda bili isporučeni u rezervoaru.
2. Pričvrstite teške gumene kotačiće prema uputama u ovom priručniku.
3. Prije zamjene glave za napajanje, pogledajte ovaj priručnik kako biste bili sigurni da imate instalirane odgovarajuće filtere za čišćenje.
4. Vratite glavu za napajanje i pritisnite svaki zasun palcem dok se čvrsto ne zatvori. Provjerite jesu li svi zasuni poklopca dobro pričvršćeni.
5. Umetnite kraj crijeva u ulaz rezervoara.
6. Pričvrstite produžne cijevi na kraj crijeva. Lagano pritisnite dok se ne zategne.
7. Pričvrstite jedan od dodataka za čišćenje (u zavisnosti od zahtjeva čišćenja) na produžne cijevi. Lagano okrenite da biste zategnuli vezu.
8. Uključite kabel u zidnu utičnicu. Usisivač je spreman za upotrebu.

▲ UPOZORENJE:

Da biste smanjili rizik od požara ili eksplozije, nemojte koristiti ovaj usisivač u područjima sa zapaljivim plinovima, parama ili eksplozivnom prašinom u zraku. Zapaljivi plinovi ili pare uključuju, ali nisu ograničeni na: tekućinu za upaljače, sredstva za čišćenje na bazi otapala, boje na bazi ulja, benzin, alkohol ili aerosolne sprejeve. Eksplozivne prašine uključuju, ali nisu ograničene na: ugali, magnezij, aluminij i žitarice ili barut. Ne usisavajte eksplozivnu prašinu, zapaljive ili lako zapaljive tekućine ili vrući pepeo. Ne koristite ovaj usisivač kao prskalicu za bilo koju zapaljivu ili eksplozivnu tečnost. Da biste smanjili rizik od zdravstvenih problema od isparenja ili prašine, nemojte usisavati otrovne materijale.

VA NE MJERE ZAŠTITE

Simbol na proizvodu ili ambalaži označava da se proizvod ne smije tretirati kao kućni otpad. Umjesto toga, treba ga predati na sabirno mjesto za recikliranje električnih i elektroničkih komponenti. Osiguravanjem da se proizvod pravilno tretira, pomoći ćete u sprječavanju negativnog utjecaja na okoliš i zdravlje koji može nastati uslijed bacanja proizvoda kao općeg otpada. Za dodatne informacije o recikliranju, obratite se lokalnim vlastima, službi za odvoz otpada ili prodajnom mjestu gdje ste kupili robu.

ZAŠTITA OKOLIŠA

Odvojeno sakupljanje. Proizvodi i baterije označeni ovim simbolom ne smiju se odlagati s uobičajenim kućnim otpadom.

Proizvodi i baterije sadrže materijale koji se mogu obnoviti ili reciklirati, smanjujući potražnju za sirovinama. Molimo vas da reciklirate električne proizvode i baterije u skladu s lokalnim propisima. Dodatne informacije dostupne su na www.2helpU.com

OPIS (SI. A)

▲ UPOZORENJE: Nikada nemojte mijenjati električni uređaj ili bilo koji njegov dio. Može doći do oštećenja ili tjelesnih povreda.

- 1 Čvrsta ručka/namotavanje kabela
- 2 Kabel za napajanje
- 3 Prekidač za uključivanje/isključivanje
- 4 Glava usisivača
- 5 Zasuni poklopca
- 6 Spremnik za prašinu
- 7 Crijevo
- 8 Kotači
- 9 Clean Connect™ filter
- 10 Priključak usisivača
- 11 Remen za crijevo
- 12 Vrećica za prašinu za jednokratnu upotrebu

SASTAVLJANJE I PODEŠAVANJA (SI. A-C)

▲ UPOZORENJE: Da biste smanjili rizik od povreda, isključite uređaj i iskopčajte ga iz izvora napajanja prije postavljanja i skidanja dodatne opreme, prije podešavanja ili promjene postavki ili prilikom popravki. Slučajno pokretanje može uzrokovati povrede.

▲ UPOZORENJE: Filter **9** mora biti uvijek na svom mjestu prilikom usisavanja, osim kako je opisano u odjeljku **PRIMJENA ZA MOKRO USISAVANJE u odjeljku RAD**. Prilikom usisavanja fine prašine, možda ćete morati koristiti i jednokratnu vrećicu za prašinu kako biste lakše praznili spremnik za prašinu.

1. Postavite jednokratnu vrećicu za prašinu **12**, kao što je prikazano na **slici B**.

NAPOMENA: Pazite da ne pocijepate vrećicu.

- Čvrsto postavite vrećicu na otvor za usisavanje **10** kako biste osigurali čvrsto zatvaranje za maksimalne performanse usisavanja prašine.
2. Postavite glavu usisivača **4** na spremnik za prašinu i pričvrstite je zatvaranjem zasuna poklopca **5**.
3. Umetnite kraj crijeva **7** u priključak za vakuum crijeva **10** i pričvrstite kraj crijeva na spremnik.

RAD**UPUTSTVO ZA UPOTREBU (SI. A, D, E)**

▲ UPOZORENJE: Uvijek se pridržavajte sigurnosnih uputa i važećih propisa.

1. Uključite kabel za napajanje u odgovarajuću utičnicu.
 2. Okrenite prekidač za uključivanje/isključivanje **3** u položaj UKLJUČENO (I).
 3. DEWALT usisivač građevinske prašine opremljen je DEWALT sistemom za spajanje. Omogućava brzo i sigurno spajanje između crijeva **7** i električnog alata. Konektor **13** se direktno povezuje sa DEWALT kompatibilnim alatima ili putem adaptera (dostupan kod lokalnog DEWALT dobavljača). Ako trebate instalirati adaptere, pogledajte **sliku E**.
- NAPOMENA:** Ako koristite adapter, prije nego što slijedite korake u nastavku, provjerite je li čvrsto pričvršćen na utičnicu alata.

UPUTE ZA RAD**UGRADNJA KOTAČA (SI. A, F)**

1. Okrenite spremnik za prašinu naopako i postavite kotače na dno spremnika za prašinu te ih pričvrstite vijcima.
2. Vratite sklop spremnika za prašinu u uspravan položaj.

UKLONITE/ZAMIJENITE KORIŠTENU VREĆICU ZA PRAŠINU ZA JEDNOKRATNU UPOTREBU (SI. A)

▲ UPOZORENJE: Prilikom rukovanja korištenim vrećicama za prašinu treba koristiti odgovarajuću ličnu zaštitnu opremu poput maske za prašinu i rukavica.

1. Isključite usisivač i izvucite kabel iz utičnice.
2. Otključajte zasune poklopca **5** i uklonite glavu usisivača **4**.
3. Pažljivo izvucite vrećicu za prašinu za jednokratnu upotrebu **12** iz usisnog priključka **10**.
4. Čvrsto zatvorite otvor jednokratne vrećice za prašinu **12** prilikom vađenja iz uređaja.
5. Odložite vrećicu za prašinu za jednokratnu upotrebu **12** u odgovarajući kontejner u skladu sa zakonskim odredbama.

PRIMJENA ZA MOKRO USISAVANJE (SI. A, G)

▲ UPOZORENJE: Ako iz uređaja izlazi pjena ili tekućina, odmah ga isključite.

▲ UPOZORENJE: Ne koristite uređaj s ovom postavkom za prašinu klase L.

Kuglični plovak **14** će blokirati dovod zraka do motora kada je spremnik za prašinu pun i zvuk motora će se odmah promijeniti.

Kada motor ima visok ton i protok zraka/vode prestane, ispraznite spremnik za prašinu.

1. Isključite usisivač i izvucite kabel iz utičnice.
2. Otključajte zasune poklopca **5** i uklonite glavu usisivača **4**.
3. Ispraznite sadržaj spremnika za prašinu **6** u odgovarajuću posudu ili odvod.

▲OPREZ: Redovno čistite uređaj za ograničavanje nivoa vode i provjeravajte da li ima znakova oštećenja. Pogledajte **sliku G**.

OBAVJEŠTENJE: NE uklanjajte kuglični plovak **14**, jer ćete time oštetiti usisivač. Kuglični plovak sprečava ulazak vode u motor.

Prrije upotrebe usisivača za mokro usisavanje:

- Provjerite je li spremnik za prašinu prazan i bez prekomjerne prašine.
- Uklonite filter **9**.

ZA POVRATAK NA RAD SA SUHIM USISAVANJEM (SI. A)

1. Ispraznite spremnik za prašinu, pogledajte upute za **PRA NJENJE SPREMNIKA ZA PRAŠINU**.
2. Postavite spremnik za prašinu naopako dok se ne osuši. NE koristite rezervoar za mokru prašinu za suho usisavanje.
3. Postavite glavu usisivača **4** na ravnu površinu da se uređaj osuši.
4. Vratite filtere kada se glava usisivača osuši. Pogledajte **Filteri pod Održavanje**.
5. Kada se spremnik za prašinu osuši, postavite glavu usisivača **4** na spremnik za prašinu i pričvrstite je zatvaranjem zasuna poklopcu **5**.

ISKLUČIVANJE/TRANSPORT (SI. A)

1. Prebacite prekidač za uključivanje/isključivanje **3** u položaj ISKLJUČENO.
2. Isključite uređaj iz struje.
3. Spremite kabel za napajanje **2** omotajući ga oko čvrste ručke/omotača kabela **1** kao što je prikazano.
4. Prilikom transporta u vozilima, osigurajte mašinu.

ODRŽAVANJE

DEWALT uređaj je dizajniran za dugi rad uz minimalno održavanje. Kontinuirani zadovoljavajući rad zavisi od pravilne njege uređaja i redovnog čišćenja.

▲UPOZORENJE: Da biste smanjili rizik od povreda, isključite uređaj i iskopčajte ga iz izvora napajanja prije postavljanja i skidanja dodatne opreme, prije podešavanja ili promjene postavki ili prilikom popravki. Slučajno pokretanje može uzrokovati povredu.

▲UPOZORENJE: Za servisiranje od strane korisnika, mašina se mora demontirati, očistiti i servisirati, koliko je to razumno izvodljivo, bez izazivanja rizika za osoblje koje održava uređaj i druge. Odgovarajuće mjere opreza uključuju dekontaminaciju prije rastavljanja, obezbjeđivanje lokalne filtrirane ispušne ventilacije tamo gdje se mašina rastavlja, čišćenje prostora za održavanje i odgovarajuću ličnu zaštitu.

- Proizvođač ili ovlaštena osoba dužni su najmanje jednom godišnje obaviti tehnički pregled, koji se sastoji, na primjer, od pregleda filtera na oštećenja, nepropus nosti stroja i ispravnog funkcioniranja upravljačkog mehanizma.
- Prilikom izvođenja servisnih ili popravnih radova, sve kontaminirane predmete koji se ne mogu zadovoljavaju juče očistiti, treba odložiti; takvi predmeti se odlažu u nepropusne vreće u skladu sa svim važećim propisima za odlaganje takvog otpada.

FFILTER (SI. A, H, I) ODRŽAVANJE FILTERA

Filteri koji dolaze s ovim usisivačem su filteri dugog vijeka trajanja. Da bi bili efikasni u smanjenju recirkulacije prašine, filteri MORAJU biti ispravno instalirani i u dobrom stanju.

▲UPOZORENJE: Prilikom rukovanja filterima treba koristiti odgovarajuću ličnu zaštitnu opremu poput maske za prašinu i rukavica.

Za uklanjanje filtera Clean Connect

1. Prekidač za uključivanje/isključivanje postavite **3** u položaj ISKLJUČENO (O) i izvucite kabel iz utičnice.
2. Otpustite zasune poklopcu **5** i uklonite glavu usisivača **4** iz kanistera. Postavite glavu usisivača naopako na ravnu površinu.
3. Okrenite svaki filter **9** suprotno od smjera kazaljke na satu tako što ćete ga uhvatiti za plastični poklopac kao što je prikazano i pažljivo ga uklonite s glave, pazeći da nečistoće ne upadnu u otvor za montažu.

NAPOMENA: Budite oprezni da ne oštetite materijal filtera.

4. Ako je potrebno očistiti donju stranu glave usisivača **4**, koristite krpu navlaženu vodom i blagim sapunom i ostavite da se osuši. Odložite krp u odgovarajuću posudu.
5. Provjerite da li su filteri oštećeni, rastrgani ili na neki drugi način oštećeni.

NAPOMENA: U slučaju bilo kakve sumnje u stanje filtera, oni se MORAJU zamijeniti. NE nastavljajte s upotrebom ako su filteri oštećeni.

▲UPOZORENJE: Nikada ne koristite komprimirani zrak ili četku za čišćenje filtera, jer će u suprotnom doći do oštećenja membrane filtera, što će omogućiti prolazak prašine kroz filter. Ako je potrebno, lagano kucnite po tvrdj površini ili isperite vodom sobne temperature i ostavite da se osuši na zraku. Čišćenje filtera obično nije potrebno, čak i ako je filter prekriven prašinom. Automatski sistem za čišćenje filtera će održavati maksimalne performanse i nastaviti funkcionisati. Ako postoje vidna oštećenja membrane filtera, zamijenite filtere. Filteri obično traju između šest i dvanaest mjeseci, ovisno o upotrebi i održavanju.

Za ugradnju Clean Connect filtera

1. Provjerite da li su zaptivke filtera **15** na svom mjestu i da li su sigurno pričvršćene.
2. Poravnajte navoje filtera **16** s navojima glave usisavača i, koristeći umjerenu silu, okrenite filter u smjeru kazaljke na satu dok se ne zategne.

NAPOMENA: Koristite pažljivo da ne oštetite materijal filtera.

3. Postavite glavu usisavača **4** na spremnik za prašinu i pričvrstite je zatvaranjem zasuna poklopca **5**.

NAPOMENA: Uklonite pjenasti filter i zamijenite ga s patronskim filtrom kada radite suho usisavanje.

Za ugradnju pjenastog filtera

Ovaj usisivač zahtijeva minimalnu konverziju pri prelasku sa suhog na mokro usisavanje. Čisti filter ulošci mogu se koristiti za usisavanje malih količina tekućine. Za najbolje rezultate pri usisavanju velikih količina tekućine, uklonite patronski filter i sve filtere za prašinu za jednokratnu ili višekratnu upotrebu. Ugradite pjenasti filter **17**, kao što je prikazano na **sllici J**. Ugradnja pjenastog filtera pomoći će u zaštiti motora i smanjiti mogućnost isparavanja koje se može pojaviti u ispušnom zraku ili kapanja tekućine oko poklopca.

PRAZNJENJE SPREMNIKA ZA PRAŠINU (Sl. K)

▲UPOZORENJE: Da biste smanjili rizik od povrede usljed slučajnog pokretanja, isključite kabl za napajanje prije praznjenja spremnika za prašinu **6**.

1. Uklonite sklop glave usisavača za mokro/suho usisavanje povlačenjem kopči poklopca koje se nalaze sa svake strane usisavača prema van. Podignite sklop glave za napajanje.
2. Ispraznite spremnik za prašinu u odgovarajući spremnik za odlaganje otpada.
3. Tečnosti se mogu isprazniti kroz odvod rezervoara **18**. Za praznjenje, isključite uređaj i izvucite utikač iz zidne utičnice. Skinite čep za odvod i ispraznite tečni otpad u odgovarajući odvod. Nakon što se rezervoar isprazni, vratite čep za odvod u prvobitni položaj. Da biste nastavili s upotrebom, uključite kabl u zidnu utičnicu i uključite uređaj.

PRIKLJUČIVANJE ELEKTRIČNOG ALATA (Sl. L, M)

1. Provjerite je li prekidač **3** u položaju 'Isključeno' i je li napajanje isključeno.
2. Za sljedeći korak postoje 2 opcije.
Opcija 1: Prvo priključite alat na usisivač, zatim priključite napajanje i prekidač za uključeno/isključeno **3** postavite u položaj UKLJUČENO (I), nakon čega će usisivač početi raditi.
Opcija 2: Prvo priključite alat na usisivač, zatim priključite napajanje i prekidač za uključeno/isključeno **3** postavite u položaj UKLJUČENO (I I), nakon čega električni alat možete početi koristiti.

▲UPOZORENJE: Koristite utičnicu usisavača samo za priključivanje vanjskog električnog alata. Usisivač se automatski uključuje i isključuje putem priključenog električnog alata.

Priključena snaga električnog alata ne smije prelaziti maksimalnu priključnu snagu PA utičnice usisavača. Također se pridržavajte upute za uporabu u sigurnosnih upozorenja električnog alata koji se priključuje na utičnicu usisavača.

▲ PREPORUKA: Usisivač uvijek koristite preko diferencijalne strujne sklopke (RCD) s nazivnom diferencijalnom strujom od 200 mA ili manje. Molimo Vas da se uvjerite da je prekidač električnog alata u položaju „Isključeno“ prije nego što alat priključite na usisivač. Nakon isključivanja električnog alata priključenog na utičnicu usisavača, usisivač će raditi još otprilike 15 sekundi, a zatim će se automatski isključiti.

ELEKTRIČNA SIGURNOST

1. **Utikači električnih alata moraju odgovarati utičnici. Nikada nemojte mijenjati utikač na bilo koji način. Ne koristite adaptere s uzemljenim (zemljenim) električnim alatima.** Nemodificirani utikači i odgovarajuće utičnice smanjit će rizik od električnog udara.
2. **Izbjegavajte kontakt tijela sa uzemljenim površinama kao što su cijevi, radijatori, šporeti i tri ideri.** Postoji povećan rizik od električnog udara ako je vaše tijelo uzemljeno.
3. **Ne izlađite električne alate kiši ili vlažnim uslovima.** Ulazak vode u električni alat povećava rizik od električnog udara.
4. **Ne zloupotrebļjavajte kabl. Nikada ne koristite kabl za nošenje, povlaćenje ili isključivanje električnog alata. Dr ite kabl dalje od topline, ulja, oštarih rubova ili pokretnih dijelova.** Oštećeni ili zapetļljani kablovi povećavaju rizik od električnog udara.
5. **Prilikom rada s električnim alatom na otvorenom, koristite prođu ni kabl pogodan za vanjsku upotrebu.** Upotreba kabla pogodnog za vanjsku upotrebu smanjuje rizik od električnog udara.
6. **Ako je neizbjge no koristiti električni alat na vla nom mjestu, koristite napajanje zaštićeno uređajem za ostatnu struju (RCD).** Korištenje RCD-a smanjuje rizik od električnog udara.
7. Elektromotor je dizajniran samo za jedan napon. Uvijek provjerite da li napon napajanja odgovara naponu navedenom na natpisnoj pločici. Ako je kabl za napajanje oštećen, mora ga zamijeniti samo DEWALT ili ovlaštena servisna organizacija.

ZAMJENA UTIKAČA ZA MREŽU (SAMO ZA VELIKU BRITANIJU I IRSKU)

Ako je potrebno ugraditi novi utikač:

- Bezbedno odložite stari utikač.
- Spojite smeđi vod na fazni priključak u utikaču.
- Spojite plavi vod na neutralni terminal.

Bosanski

• Spojite žuto/zeleni vod na uzemljenje.
Slijedite upute za ugradnju koje dolaze s kvalitetnim utikačima. Preporučeni osigurač: 13A."

▲ UPOZORENJE: Nikada ne koristite utičnicu za svjetlo. Nikada ne spajajte fazne (L) ili neutralne (N) žice na uzemljenje označeno sa E ili \perp .

KORIŠTENJE PRODUŽNOG KABLA

Ako je potreban produžni kabel, koristite odobreni produžni kabel s 3 žice koji odgovara ulaznoj snazi ovog alata (pogledajte Tehničke podatke). Minimalna veličina provodnika je 1,5 mm²; maksimalna dužina je 30 m. Prilikom korištenja koluta za kabel, uvijek ga potpuno odmotajte.

FUNKCIJA DUVANJA (SI. C)

▲ UPOZORENJE: Da biste izbjegli povrede prolaznika, držite ih podalje od otpada koji se odpuhuje. Usisivač ima funkciju puhanja. Ima mogućnost izduvavanja piljevine i drugih otpadaka. Može se koristiti za ispuhavanje prašine i otpada iz garaža ili s terasa i prilaza. Slijedite korake u nastavku da biste usisivač koristili kao puhač.

1. Pronađite otvor za puhanje na usisivaču.
2. Umetnite jedan kraj crijeva u otvor za puhanje.
3. Uključite usisivač.

SKLADIŠTENJE (SI. A)

1. Ispraznite spremnik za prašinu, pogledajte upute za **PRA NJENJE SPREMNIKA ZA PRAŠINU**.
2. Očistite usisivač iznutra i izvana. Pogledajte **ČIŠĆENJE**.
3. Očistite ili zamijenite filtere, pogledajte **FILTER**.
4. Crijevo i kabel za napajanje spremite kao što je prikazano na **slici A**. Uređaj postavite u suhu prostoriju i osigurajte ga od neovlaštene upotrebe.

OPCIONALNI DODACI

▲ UPOZORENJE: Budući da dodatna oprema koja nije ponuđena od strane DEWALT-a nije testirana s ovim proizvodom, upotreba takvih dodataka s ovim uređajem može biti opasna.

Kako biste smanjili rizik od ozljeda, koristite samo dodatke preporučene od strane DEWALT-a s ovim uređajem.

ČIŠĆENJE

Da bi uređaj izgledao najbolje moguće, vanjštinu čistite krpom navlaženom toplom vodom i blagim sapunom. Za čišćenje rezervoara:

1. Izbacite otpad.
2. Temeljno operite rezervoar toplom vodom i blagim sapunom.
3. Obrišite suhom krpom.

RJEŠAVANJE PROBLEMA

▲ UPOZORENJE:

Manji problemi se često mogu riješiti bez pozivanja korisničke službe.

PROBLEM	RJEŠENJE
Motor ne radi.	Provjerite kabel za napajanje, utikače i utičnicu. Provjerite da li je prekidač za uključivanje/isključivanje u položaju UKLJUČENO (I)
Usisni kapacitet se smanjuje.	Uklonite začepljenja u nastavku za pod, produžnim cijevima, crijevu ili filteru. Zamijenite jednokratnu vrećicu za prašinu. Provjerite pravilnu ugradnju filtera. Očistite ili zamijenite filter. Ispraznite spremnik za prašinu, pogledajte PRAŽNENJE SPREMNIKA u UPUTSTVIMA ZA RAD .
Usisivač prestaje s radom.	Termičko preopterećenje je aktivirano: 1. Isključite uređaj i odspojite ga iz izvora napajanja. 2. Ispraznite spremnik za prašinu, ako je potrebno. 3. Ostavite uređaj da se ohladi. 4. Uključite kabel za napajanje u odgovarajuću utičnicu i postavite prekidač za uključivanje/isključivanje u položaj UKLJUČENO (I) da biste testirali.
Prašina izlazi tokom usisavanja.	Provjerite pravilnu ugradnju filtera. Provjerite da filteri nisu oštećeni; zamijenite ih ako je potrebno. Provjerite da li su zaptivke filtera na svom mjestu i da li su sigurno pričvršćene. Provjerite prijanjanje glave usisavača.

▲ UPOZORENJE: Ako je kabel za napajanje oštećen, mora ga zamijeniti proizvođač, njegov servisni agent ili slično kvalificirana osoba kako bi se izbjegla opasnost.

▲ UPOZORENJE: Ovaj proizvod se NE smije koristiti za filtriranje patogena, na primjer COVID-19. Pridržavajte se svih lokalnih, državnih i saveznih smjernica o općim praksama čišćenja.



SPECIFIKACIJE PROIZVODA

Model	DXV30SAPTA
Moć	220-240V / 50/60Hz / 1050W
Pritisak zatvarača	15kPa
Protok zraka	37,8L/S
Kapacitet spremnika	30L*
Crijevo	48mm x 2,1m
Kabel za napajanje	3Gx1,5mm ² / 3,05m

* Kapacitet spremnika odnosi se na stvarni volumen spremnika i ne odražava kapacitet dostupan tijekom rada.

SADRŽAJ PAKIRANJA

Paket sadrži:

- 1 crijevo 48 mm x 2,1 m (DXVA19-2558)
- 2 produžne cijevi (DXVA19-1202)
- 1 nastavak za uske prostore (DXVA19-1400)
- 1 Pomoćna (DXVA19-1300)
- 1 nastavak za pod (DXVA19-1900D)
- 1 Mrežasta torba za dodatnu opremu (DXVA19-5158)
- 1 vrećica za prašinu za jednokratnu upotrebu (DXVA19-4204)
- 1 Clean Connect™ filter (DXVC4001)
- 1 pjenasti filter (DXVA20-1200A)
- 1 Adapter za alat (DXVA19-2780)
- 1 Okrugla četka (DXVA19-2400)
- 1 Lakat (DXVA19-2800)
- 1 Upute za uporabu
- 1 paket vijaka
- 4 kotačića
- Provjerite ima li oštećenja na alatu, dijelovima ili priboru koja su se mogla dogoditi tijekom transporta.
- Prije upotrebe odvojite vrijeme za temeljito čitanje i razumijevanje ovog priručnika..

DEFINICIJE SIGURNOSNE SMJERNICE

Definicije u nastavku opisuju razinu ozbiljnosti za svaku signalnu riječ. Molimo pročitajte upute i obratite pozornost na ove simbole.

▲ OPASNOST! Signalna riječ koja se koristi za označavanje neposredno opasne situacije koja će, ako se ne izbjegne, rezultirati smrću ili teškim ozljedama.

▲ UPOZORENJE: Signalna riječ koja se koristi za označavanje potencijalno opasne situacije koja, ako se ne izbjegne, može rezultirati smrću ili teškim ozljedama.

▲ OPREZ: Signalna riječ koja se koristi za označavanje potencijalno opasne situacije koja, ako se ne izbjegne, može rezultirati lakšim ili umjerenim ozljedama.

OBAVIJEST! Označava postupak koji nije povezan s tjelesnim ozljedama, a koji, ako se ne izbjegne, može rezultirati materijalnom štetom.

VAŽNE SIGURNOSNE UPUTE

▲ UPOZORENJE: Prilikom korištenja električnih uređaja uvijek treba slijediti osnovne mjere opreza kako bi se smanjio rizik od požara, električnog udara i ozljeda osoba, uključujući sljedeće:

PRIJE UPORABE UREĐAJA PROČITAJTE I SLIJEDITE SVE UPUTE.

▲ UPOZORENJE: To će smanjiti rizik od strujnog udara. Ne izlagati uređaj kiši. Čuvati u zatvorenom prostoru.

- Ne ostavljajte uređaj bez nadzora kada je spojen na izvor napajanja. Isključite iz izvora napajanja kada se ne koristi i prije servisiranja.
- Ne dopustite da se uređaj koristi kao igračka. Budite posebno oprezni kada uređaj koriste djeca ili kada je u njihovoj blizini.
- Koristite uređaj SAMO kako je opisano u priručniku. Koristite samo dodatke koje preporučuje DEWALT.
- Ne koristite uređaj s oštećenim kabelom ili utikačem. Ako uređaj ne radi ispravno ili ako je pao, oštećen, ostavljen vani ili upao u vodu, vratite ga u servisni centar.
- Nemojte vući ili nositi uređaj za kabel, koristiti kabel kao ručku, zatvarati vrata preko kabela ili povlačiti kabel oko oštih rubova ili kutova. Ne pomičite uređaj preko kabela. Držite kabel dalje od zagrijanih površina.
- Ne isključujte uređaj iz struje povlačenjem kabela. Za isključivanje, uhvatite utikač, a ne kabel.
- Ne dirajte utikač ili uređaj mokrim rukama.
- Ne stavljajte nikakve predmete u otvore uređaja. Ne koristite uređaj ako je bilo koji otvor blokiran; držite ga čistim od prašine, dlačica, kose i svega ostalog što može smanjiti protok zraka.
- Kosu, labavu odjeću, prste i sve dijelove tijela držite podalje od otvora i pokretnih dijelova.
- Isključite sve kontrolere prije isključivanja uređaja.
- Budite posebno oprezni prilikom čišćenja na stepenicama.
- Ne koristite uređaj za usisavanje zapaljivih tekućina, poput benzina, niti ga koristite u područjima gdje se nalaze zapaljive tekućine.
- Statički udari mogući su u suhim područjima ili kada je relativna vlažnost zraka niska. Ovo je samo privremeno i ne utječe na korištenje usisavača. Za smanjenje učestalosti statičkih udara, dodajte vlažnost zraku s pomoću konzole, ugrađenog ovlaživača zraka ili upotrijebite crijevo (standardno na nekim modelima).
- Kako biste izbjegli spontano izgaranje, ispraznite spremnik za prašinu nakon svake upotrebe.
- **▲ OPREZ:** Uređaj nije namijenjen za uporabu od strane osoba (uključujući djecu) sa smanjenim fizičkim, senzornim ili mentalnim sposobnostima ili nedostatkom iskustva i znanja, osim ako nisu pod nadzorom ili im je osoba odgovorna za njihovu sigurnost dala upute o korištenju uređaja. Djecu treba nadzirati kako bi se osiguralo da se ne igraju s uređajem.

**SAČUVAJTE OVE UPUTE
DODATNA SIGURNOSNA PRAVILA**

- Ne usisavajte ništa što gori ili dimi, poput cigareta, šibica ili vrućeg pepela.
- Ne koristite za usisavanje zapaljivih eksplozivnih materijala, poput ugljena, žitarica ili drugih fino usitnjenih zapaljivih materijala.
- Ne koristite za usisavanje opasnih, otrovnih ili kancerogenih materijala, poput azbesta ili pesticida.
- Nikada ne usisavajte eksplozivne tekućine (npr. benzin, dizelsko gorivo, loživo ulje, razrjeđivač boje itd.), kiseline ili otapala.
- Ne koristite usisavač bez postavljenih filtara, osim kako je opisano u odjeljku **PRIMJENE ZA MOKRO USISAVANJE**.
- Neke vrste drveta sadrže konzervanse koji mogu biti otrovni. Prilikom rada s ovim materijalima budite posebno oprezni kako biste spriječili udisanje i kontakt s kožom. Zatražite i slijedite sve sigurnosne informacije dostupne od dobavljača materijala.
- Ne koristite usisavač kao ljestve.
- Ne stavljajte teške predmete na usisavač.
- Produžni kabel mora imati odgovarajuću debljinu žice radi sigurnosti.
- Ako se produžni kabel koristi na otvorenom, mora biti označen.

▲ UPOZORENJE:

Kako biste smanjili izloženost tim kemikalijama, nosite odobrenu zaštitnu opremu poput maski za prašinu koje su posebno dizajnirane za filtriranje mikroskopskih čestica.

▲ UPOZORENJE:

- **KAKO BI SE SMANJIO RIZIK OD OZLJEDA, KORISNIK MORA PROČITATI UPUTE ZA UPORABU. NE OSTAVLJAJTE USISAVAČ BEZ NADZORA KADA JE UKLJUČEN. NE USISAVAJTE ZAPALJIVE, GORIVE ILI VRUĆE MATERIJALE. NE KORISTITE U BLIZINI EKSPLOZIVNE PRAŠINE, TEKUĆINA ILI ISPARAVANJA. ELEKTRIČNI UREĐAJI PROIZVODE VARNICE ILI ISKRE KOJE MOGU UZROKOVATI POŽAR ILI EKSPLOZIJU. NE KORISTITE NA BENZINSKIM POSTAJAMA ILI BILO GDJE GDE SE BENZIN SKLADIŠTI ILI TOČI. NE USISAVAJTE TOKSIČNE ILI KANCEROGENE MATERIJALE ILI DRUGE MATERIJALE OPASNE PO ZDRAVLJE KAO ŠTO SU AZBEST ILI PESTICIDI. UVIJEK KORISTITE ODGOVARAJUĆU ZAŠTITU ZA OČI I RESPIRATORNE PUTEVE. KAKO BISTE SMANJILI RIZIK OD STRUJNOG UDARA, NE IZLAŽITE KIŠI. ČUVATI U ZATVORENOM PROSTORU. PRI SERVISIRANJU KORISTITE SAMO IDENTIČNE REZERVNE DIJELOVE. NE SMIJE SE KORISTITI KAO ŠAMLICA.**

**SAČUVAJTE OVE UPUTE
UPUTE ZA RAD**

SAŽETAK O RASPAKIRANJU I POSTAVLJANJU

1. Povucite zasune poklopca prema van, uklonite glavu za napajanje i neke dodatke koji su možda bili isporučeni u spremniku.
2. Pričvrstite teške gumene kotačiće prema uputama u ovom priručniku.
3. Prije zamjene glave za napajanje, pogledajte ovaj priručnik kako biste bili sigurni da imate instalirane odgovarajuće filtre za čišćenje.
4. Vratite glavu za napajanje i palcem pritisnite svaki zasun dok čvrsto ne sjedne na mjesto. Provjerite jesu li svi zatvarači poklopca sigurno pričvršćeni.
5. Umetnite kraj crijeva u ulaz spremnika.
6. Pričvrstite produžne cijevi na kraj crijeva. Lagano pritišćite dok se ne zategne.
7. Pričvrstite jedan od dodataka za čišćenje (ovisno o zahtjevima čišćenja) na produžne cijevi. Lagano okrenite kako biste zategnuli spoj.
8. Uključite kabel u zidnu utičnicu. Usisavač je spreman za upotrebu.

▲ UPOZORENJE:

Kako biste smanjili rizik od požara ili eksplozije, nemojte koristiti ovaj usisavač u područjima sa zapaljivim plinovima, isparenjima ili eksplozivnom prašinom u zraku. Zapaljivi plinovi ili isparenja uključuju, ali nisu ograničeni na: tekućinu za upaljače, sredstva za čišćenje na bazi otapala, boje na bazi ulja, benzin, alkohol ili aerosolne sprejeve. Eksplozivne prašine uključuju, ali nisu ograničene na: ugljen, magnezij, aluminij i žito ili barut. Ne usisavajte eksplozivnu prašinu, zapaljive ili lako zapaljive tekućine ili vrući pepeo. Ne koristite ovaj usisavač kao raspršivač za bilo koju zapaljivu ili eksplozivnu tekućinu. Kako biste smanjili rizik od zdravstvenih opasnosti od isparenja ili prašine, nemojte usisavati otrovne materijale.

VA NE MJERE ZAŠTITE

Simbol na proizvodu ili ambalaži označava da se proizvod ne smije tretirati kao kućni otpad. Umjesto toga, treba ga predati na sabirno mjesto za recikliranje električnih i elektroničkih komponenti. Osiguravajući da se proizvod obrađuje na pravilan način, pomoći ćete u sprječavanju negativnog utjecaja na okoliš i zdravlje koji može nastati zbog bacanja proizvoda kao općeg otpada. Za daljnje informacije o recikliranju obratite se lokalnim vlastima, službi za odvoz otpada ili prodajnom mjestu gdje ste kupili robu.

ZAŠTITA OKOLIŠA



Odvojeno prikupljanje. Proizvodi i baterije označeni ovim simbolom ne smiju se odlagati s uobičajenim kućnim otpadom.

Proizvodi i baterije sadrže materijale koji se mogu oporabiti ili reciklirati čime se smanjuje potražnja za sirovinama. Molimo vas da reciklirate električne proizvode i baterije u skladu s lokalnim propisima. Dodatne informacije dostupne su na www.2helpU.com

DOPIS (SI. A)

▲ UPOZORENJE: Nikada ne modificirajte električni uređaj ili bilo koji njegov dio. Može doći do štete ili tjelesnih ozljeda.

- 1 Čvrsta ručka/namatanje kabela
- 2 Kabel za napajanje
- 3 Prekidač za uključivanje/isključivanje
- 4 Vakuumska glava
- 5 Zasuni poklopca
- 6 Spremnik za prašinu
- 7 Crijevo
- 8 Kotačići
- 9 Clean Connect™ filter
- 10 Vakuumski priključak
- 11 Remen za crijevo
- 12 Vrećica za prašinu za jednokratnu upotrebu

SASTAVLJANJE I PODEŠAVANJE (SI. A-C)

▲ UPOZORENJE: Kako biste smanjili rizik od ozljede, isključite aparat i odvojite ga od izvora napajanja prije nego što instalirate i uklonite dodatke, prije podešavanja ili promjene postavki ili kada vršite popravke. Slučajno pokretanje može uzrokovati ozljede.

▲ UPOZORENJE: Filter **9** mora uvijek biti na mjestu tijekom usisavanja, osim kako je opisano u odjeljku **PRIMJENE ZA MOKRO USISAVANJE** u odjeljku **RAD**. Prilikom usisavanja fine prašine, možda ćete trebati koristiti i jednokratnu vrećicu za prašinu kako biste lakše praznili spremnik za prašinu.

1. Postavite jednokratnu vrećicu za prašinu **12**, kao što je prikazano na **slici B**.

BILJEŠKA: Pazite da ne pocijepate vrećicu. Vrećicu čvrsto postavite na usisni priključak **10** kako biste osigurali hermetičko zatvaranje za maksimalnu učinkovitost usisavanja prašine.

2. Postavite glavu usisavača **4** na spremnik za prašinu i pričvrstite je zatvaranjem zasuna poklopca **5**.
3. Umetnite kraj crijeva **7** u vakuumski priključak crijeva **10** i pričvrstite kraj crijeva na spremnik.

RAD

UPUTE ZA UPORABU (SI. A, D, E)

▲ UPOZORENJE: Uvijek se pridržavajte sigurnosnih uputa i važećih propisa.

1. Uključite kabel za napajanje u odgovarajuću utičnicu.
2. Okrenite prekidač za uključivanje/isključivanje **3** u položaj UKLJUČENO (I).
3. DEWALT usisavač građevinske prašine opremljen je DEWALT sustavom spajanja. Omogućuje brzo i sigurno spajanje crijeva **7** i električnog alata. Priključak **13** se spaja izravno na DEWALT kompatibilne alate ili putem adaptera (dostupan kod lokalnog DEWALT dobavljača). Ako trebate instalirati adaptere, pogledajte **sliku E**.

BILJEŠKA: Ako koristite adapter, provjerite je li čvrsto pričvršćen na priključak za alat prije nego što slijedite dolje navedene korake.

UPUTE ZA RAD

UGRADNJA KOTAČA (SI. A, F)

1. Okrenite spremnik za prašinu naopako i postavite kotačiće na dno spremnika za prašinu te ih pričvrstite vijcima.
2. Vratite sklop spremnika za prašinu u uspravan položaj.

UKLONITE/ZAMIJENITE KORIŠTENU VREĆICU ZA PRAŠINU ZA JEDNOKRATNU UPOTREBU (SI. A)

▲ UPOZORENJE: Prilikom rukovanja korištenim vrećicama za prašinu treba koristiti odgovarajuću osobnu zaštitnu opremu poput maske za prašinu i rukavica.

1. Isključite usisavač i izvucite kabel iz utičnice.
2. Otpustite zasune poklopca **5** i uklonite glavu usisavača **4**.
3. Pažljivo izvucite vrećicu za prašinu za jednokratnu upotrebu **12** iz usisnog priključka **10**.
4. Čvrsto zatvorite otvor jednokratne vrećice za prašinu **12** prilikom vađenja iz uređaja.
5. Odložite vrećicu za prašinu za jednokratnu upotrebu **12** u odgovarajući spremnik u skladu sa zakonskim odredbama.

PRIMJENE ZA MOKRO USISAVANJE (SI. A, G)

▲ UPOZORENJE: Ako iz uređaja izlazi pjena ili tekućina, odmah ga isključite.

▲ UPOZORENJE: Ne koristite uređaj s ovom postavkom za prašinu klase L.

Kuglični plovak **14** blokirat će dovod zraka do motora kada je spremnik za prašinu pun i zvuk motora će se odmah promijeniti.

Kada motor ima visok zvuk i protok zraka/vode prestane, ispraznite spremnik za prašinu.

1. Isključite usisavač i izvucite kabel iz utičnice.
2. Otpustite zasune poklopca **5** i uklonite glavu usisavača **4**.
3. Ispraznite sadržaj spremnika za prašinu **6** u prikladnu posudu ili odvod.

▲ OPREZ: Redovito čistite uređaj za ograničavanje razine vode i provjeravajte ima li znakova oštećenja. Pogledajte **sliku G**.

OBAVIJEST: NE uklanjajte kuglični plovak **14**, jer ćete time oštetiti usisavač. Kuglični plovak sprječava ulazak vode u motor.

Prije upotrebe usisavača za mokro usisavanje:

- Provjerite je li spremnik za prašinu prazan i bez prekomjerne prašine.
- Uklonite filter **9**.

ZA POVRATAK NA SUHO USISAVANJE (SI. A)

1. Ispraznite spremnik za prašinu, pogledajte upute za **PRA NJENJE SPREMNIKA ZA PRAŠINU**.
2. Spremnik za prašinu postavite naopako dok se ne osuši. NE koristite mokri spremnik za prašinu za suho usisavanje.
3. Postavite glavu usisavača **4** na ravnu površinu i osušite uređaj.
4. Ponovno postavite filtre kada se glava usisavača osuši. Pogledajte **Filtre pod Održavanje**.
5. Kada se spremnik za prašinu osuši, postavite glavu usisavača **4** na spremnik za prašinu i pričvrstite je zatvaranjem zasuna poklopca **5**.

ISKLJUČIVANJE/PRIJEVOZ (SI. A)

1. Okrenite prekidač za uključivanje/isključivanje **3** u položaj ISKLJUČENO.
2. Isključite uređaj.
3. Spremite kabel za napajanje **2** omotavajući ga oko čvrste ručke/namatala kabela **1** kao što je prikazano.
4. Prilikom transporta u vozilima, osigurajte stroj.

ODRŽAVANJE

DEWALT uređaj je dizajniran za dugotrajan rad uz minimalno održavanje. Kontinuirano zadovoljavajuće djelovanje ovisi o pravilnoj njezi uređaja i redovitom čišćenju.

▲ UPOZORENJE: Kako biste smanjili rizik od ozljede, isključite aparat i odvojite ga od izvora napajanja prije nego što instalirate i uklonite dodatke, prije podešavanja ili promjene postavki ili kada vršite popravke. Slučajno pokretanje može uzrokovati ozljede.

▲ UPOZORENJE: Servisiranje od strane korisnika znači da se stroj mora rastaviti, očistiti i servisirati, koliko je to razumno izvedivo, bez izazivanja rizika za osoblje koje održava uređaj i druge. Prikladne mjere opreza uključuju dezinficiranje prije rastavljanja, omogućavanje lokalne filtrirane ventilacije na mjestu gdje se stroj rastavlja, čišćenje područja održavanja te odgovarajuću osobnu zaštitu.

- Proizvođač ili ovlaštena osoba mora provesti tehnički pregled najmanje jednom godišnje, a koji se sastoji, primjerice, od provjere filtra na oštećenja, zatvaranja stroja i pravilnog funkcioniranja

mehanizma upravljanja.

- Prilikom održavanja ili popravka, svi kontaminirani predmeti koji se ne mogu zadovoljavajuće očistiti moraju se odložiti; takvi se predmeti odlazu u nepropusnim vrećama u skladu sa svim važećim propisima za odlaganje takvog otpada.

FILTER (SI. A, H, I) ODRŽAVANJE FILTRA

Filtiri koji dolaze s ovim usisavačem su dugotrajni filtri. Da bi bili učinkoviti u smanjenju recirkulacije prašine, filtri MORAJU biti ispravno instalirani i u dobrom stanju.

▲ UPOZORENJE: Prilikom rukovanja filtrima treba koristiti odgovarajuću osobnu zaštitnu opremu poput maske za prašinu i rukavica.

Za uklanjanje filtra Clean Connect

1. Okrenite prekidač za uključivanje/isključivanje **3** u položaj ISKLJUČENO (O) i iskopčajte kabel iz utičnice.
2. Otpustite zasune poklopca **5** i uklonite glavu usisavača **4** iz spremnika. Postavite glavu usisavača naopako na ravnu površinu.
3. Okrenite svaki filter **9** suprotno od smjera kazaljke na satu hvatajući ga za plastični poklopac kao što je prikazano i pažljivo ga uklonite s glave, pazeći da ostaci ne upadnu u otvor za montažu.

BILJEŠKA: Budite oprezni da ne oštetite materijal filtra.

4. Ako je potrebno očistiti donju stranu glave usisavača **4**, upotrijebite krpu navlaženu vodom i blagim sapunom te je ostavite da se osuši. Odložite krpu u odgovarajuću posudu.
5. Provjerite jesu li filtri istrošeni, napukli ili imaju druga oštećenja.

BILJEŠKA: Ako postoji bilo kakva sumnja u stanje filtera, oni se MORAJU zamijeniti. NEMOJTE nastaviti s upotrebom ako su filtri oštećeni.

▲ UPOZORENJE: Nikada ne koristite komprimirani zrak ili četku za čišćenje filtera, jer će u suprotnom doći do oštećenja membrane filtera što će omogućiti prolazak prašine kroz filter. Ako je potrebno, nježno udarite o tvrdu površinu ili isperite mlakom vodom i ostavite da se osuši na zraku. Čišćenje filtera obično nije potrebno, čak i ako je filter prekriven prašinom. Sustav automatskog čišćenja filtera održavat će maksimalne performanse i nastaviti funkcionirati. Ako postoje vizualna oštećenja membrane filtera, zamijenite filtre. Filtri obično traju između šest i dvanaest mjeseci, ovisno o korištenju i njezi.

Za ugradnju Clean Connect filtera

1. Uvjerite se da je brtva filtera **15** na mjestu i da je pričvršćena.
2. Poravnajte navoje filtera **16** s navojima glave usisavača i umjerenom silom okrenite filter u smjeru kazaljke na satu dok se ne zategne.

BILJEŠKA: Koristite pažljivo kako ne biste oštetili materijal filtra.

3. Postavite glavu usisavača **4** na spremnik za prašinu i pričvrstite je zatvaranjem zasuna poklopca **5**.

BILJEŠKA: Uklonite pjenasti filtar i zamijenite ga s patronskim filtrom kada obavljate suho usisavanje.

TZa ugradnju pjenastog filtra

Ovaj usisivač zahtijeva minimalnu preinaku pri prelasku sa suhog na mokro usisavanje. Za usisavanje malih količina tekućine može se koristiti čisti patronski filtar. Za najbolje rezultate pri usisavanju velikih količina tekućine, uklonite patronski filtar i sve filtre za prašinu za jednokratnu ili višekratnu upotrebu. Ugradite pjenasti filtar (17), kao što je prikazano na slici J. Ugradnja pjenastog filtra pomoći će u zaštiti motora i smanjiti mogućnost zamagljivanja koje se može pojaviti u ispušnom zraku ili kapanja tekućine oko poklopcu.

PRAŽNENJE SPREMNIKA ZA PRAŠINU (SI. K)

▲ UPOZORENJE: Kako biste smanjili rizik od ozljeda uslijed slučajnog pokretanja, isključite kabel za napajanje prije pražnjenja spremnika za prašinu (6).

1. Uklonite sklop glave usisivača za mokro/suho usisavanje tako da povučete prema van kopče na poklopcu smještene s obje strane usisivača. Podignite sklop glave za napajanje.
2. Ispraznite spremnik za prašinu u odgovarajući spremnik za odlaganje otpada.
3. Tekućine se mogu isprazniti kroz odvod spremnika (18). Za pražnjenje, isključite uređaj i izvucite utikač iz zidne utičnice. Skinite čep za odvod i ispraznite tekući otpad u odgovarajući odvod. Nakon što se spremnik isprazni, vratite čep za odvod u prvobitni položaj. Za nastavak korištenja, uključite kabel u zidnu utičnicu i uključite uređaj.

SPAJANJE ELEKTRIČNOG ALATA (SI. L, M)

1. Provjerite je li upravljački prekidač (3) u položaju 'Isključeno' i je li napajanje isključeno.
2. Za sljedeći korak postoje 2 opcije.

Opcija 1: Prvo spojite alat na usisivač, zatim spojite napajanje i uključite/isključite prekidač (3) u položaj UKLJUČENO (I), u tom trenutku usisivač će početi raditi.

Opcija 2: Prvo spojite alat na usisivač, zatim spojite napajanje i uključite/isključite prekidač (3) u položaj UKLJUČENO (II), u tom trenutku električni alat možete početi koristiti.

▲ UPOZORENJE: Utičnicu usisivača koristite samo za spajanje vanjskog električnog alata. Usisivač se automatski uključuje i isključuje putem priključenog električnog alata.

Priključna snaga električnog alata ne smije prelaziti maksimalnu priključnu snagu PA utičnice usisivača. Također se pridržavajte uputa za uporabu i sigurnosnih upozorenja električnog alata koji se spaja na utičnicu usisivača.

PREPORUKA: Usisivač uvijek koristite preko zaštitne sklopke (RCD) s nazivnom preostalom strujom od 200 mA ili manje.

Prije spajanja alata na usisivač provjerite je li prekidač električnog alata u položaju „Isključeno“. Nakon

isključivanja električnog alata spojenog na utičnicu usisivača, usisivač će raditi još otprilike 15 sekundi, a zatim će se automatski isključiti.

ELEKTRIČNA SIGURNOST

1. **Utikači električnih alata moraju odgovarati utičnici. Nikada nemojte mijenjati utikač na bilo koji način. Ne koristite adaptere s uzemljenim (ozemljenim) električnim alatima.** Neizmijenjeni utikači i odgovarajuće utičnice smanjit će rizik od električnog udara.
2. **Izbjegavajte tjelesni kontakt s uzemljenim površinama kao što su cijevi, radijatori, štednjaci i hladnjaci.** Postoji povećani rizik od strujnog udara ako je vaše tijelo uzemljeno.
3. **Ne izlažite električne alate kiši ili vlažnim uvjetima.** Voda koja uđe u električni alat povećat će rizik od električnog udara.
4. **Ne zloupotrebljavajte kabel. Nikada ne koristite kabel za nošenje, povlačenje ili isključivanje električnog alata. Držite kabel dalje od topline, ulja, oštih rubova ili pokretnih dijelova.** Oštećeni ili zapetljani kablovi povećavaju rizik od strujnog udara.
5. **Prilikom rada s električnim alatom na otvorenom, koristite produžni kabel prikladan za vanjsku upotrebu.** Korištenje kabela prikladnog za vanjsku upotrebu smanjuje rizik od strujnog udara.
6. **Ako je rad električnog alata na vlažnom mjestu neizbježan, koristite napajanje zaštićeno uređajem za preostalu struju (RCD).** Korištenje RCD-a smanjuje rizik od strujnog udara.
7. Elektromotor je dizajniran samo za jedan napon. Uvijek provjerite da li napajanje odgovara naponu navedenom na natpisnoj pločici. Ako je kabel za napajanje oštećen, smije ga zamijeniti samo DEWALT ili ovlaštena servisna organizacija.

ZAMJENA UTIKAČA ZA MREŽU (SAMO ZA UK I IRSKU)

Ako je potrebno ugraditi novi utikač:

- Sigurno odložite stari utikač.
- Spojite smeđi kabel na fazni priključak u utikaču.
- Spojite plavi kabel na neutralni priključak.
- Spojite žuto/zeleni kabel na uzemljenje.

Slijedite upute za ugradnju koje dolaze s kvalitetnim utikačima. Preporučeni osigurač: 5V 13A.

▲ UPOZORENJE: Nikada ne koristite utičnicu za svjetlo. Nikada ne spajajte fazne (L) ili neutralne (N) žice na uzemljenje označeno s E ili \perp .

KORIŠTENJE PRODUŽNOG KABELA

Ako je potreban produžni kabel, upotrijebite odobreni 3-žilni produžni kabel prikladan za ulaznu snagu ovog alata (vidi **Tehničke podatke**). Minimalni promjer provodnika je 1,5 mm²; maksimalna duljina je 30 m. Prilikom korištenja kablenskog koluta, uvijek potpuno odmotajte kabel.

FUNKCIJA PUHANJA (SI. C)

▲ UPOZORENJE: Usisivač ima funkciju puhanja. Ima mogućnost puhanja piljevine i drugih ostataka. Može se koristiti za ispuhivanje prašine i otpada iz garaža ili s terasa i prilaza. Slijedite dolje navedene korake kako biste usisivač koristili kao puhač.

1. Pronađite otvor za puhanje na usisivaču.
2. Umehnite jedan kraj crijeva u otvor za puhanje.
3. Uključite usisivač.

SKLADIŠTENJE (SI. A)

1. Ispraznite spremnik za prašinu, pogledajte upute za **PRA NJENJE SPREMNIKA ZA PRAŠINU**.
2. Očistite usisivač iznutra i izvana. Pogledajte **ČIŠĆENJE**.
3. Očistite ili zamijenite filtre, pogledajte **FILTER**.
4. Crijevo i kabel za napajanje spremite kao što je prikazano na **slici A**. Uređaj postavite u suhu prostoriju i osigurajte ga od neovlaštene upotrebe.

OPCIONALNA DODATNA OPREMA

▲ UPOZORENJE: Budući da dodatna oprema, osim one koju nudi DEWALT, nije testirana s ovim proizvodom, korištenje takve dodatne opreme s ovim uređajem može biti opasno.

Kako biste smanjili rizik od ozljeda, s ovim proizvodom trebate koristiti samo dodatnu opremu koju preporučuje DEWALT.

ČIŠĆENJE

Kako bi uređaj izgledao najbolje moguće, očistite vanjsku stranu krpom namočenom u toplu vodu i blagi sapun.

Za čišćenje spremnika:

1. Izbacite otpad.
2. Temeljito operite spremnik toplom vodom i blagim sapunom.
3. Obrišite suhom krpom.

RJEŠAVANJE PROBLEMA

▲ UPOZORENJE:

Manji problemi se često mogu riješiti bez pozivanja korisničke službe.

PROBLEM	RJEŠENJE
Motor ne radi.	<p>Provjerite kabel za napajanje, utikače i utičnicu.</p> <p>Provjerite je li prekidač za uključivanje /isključivanje u položaju UKLJUČENO (I)</p>
Usisni kapacitet se smanjuje.	<p>Uklonite začepljenja u nastavku za pod, produžnim cijevima, crijevu ili filtru.</p> <p>Zamijenite vrećicu za prašinu za jednokratnu upotrebu.</p> <p>Provjerite je li filter pravilno postavljen</p> <p>Očistite ili zamijenite filter.</p> <p>Ispraznite spremnik za prašinu, pogledajte PRAŽNJENJE SPREMNIKA u UPUTAMA ZA RAD.</p>
Usisivač prestaje raditi	<p>Termalna zaštita je isključena:</p> <ol style="list-style-type: none"> 1. Isključite uređaj i odspojite ga iz izvora napajanja. 2. Ispraznite spremnik za prašinu, ako je potrebno. 3. Ostavite uređaj da se ohladi. 4. Uključite kabel za napajanje u odgovarajuću utičnicu i prebacite prekidač za uključivanje/isključivanje u položaj UKLJUČENO (I) za testiranje.
Prašina izlazi prilikom usisavanja.	<p>Provjerite jesu li filtri ispravno postavljeni.</p> <p>Provjerite da filtri nisu oštećeni; zamijenite ih ako je potrebno.</p> <p>Provjerite jesu li brtve filtra na mjestu i sigurno pričvršćene.</p> <p>Provjerite pritanjanje glave usisivača.</p>

▲ UPOZORENJE: Ako je kabel za napajanje oštećen, mora ga zamijeniti proizvođač, njegov servisni agent ili slično kvalificirana osoba kako bi se izbjegla opasnost.

▲ UPOZORENJE: Ovaj proizvod se NE smije koristiti za filtriranje patogena, na primjer COVID-19. Slijedite sve lokalne, državne i savezne smjernice o općim praksama čišćenja.



PRODUKTA SPECIFIKĀCIJAS

Modelis	DXV30SAPTA
Jauda	220-240V / 50/60Hz / 1050W
Bļivējuma spiediens	15kPa
Gaisa plūsma	37.8L/S
Tvertnes tilpums	30L*
Šļūtene	3Gx1,5mm ² / 3,05m

*Tvertnes tilpums attiecas uz faktisko tvertnes tilpumu un neatspoguļo darbības laikā pieejamo tilpumu.

IEPAKOJUMA SATURS

Iepakojumā ir:

- 1 48 mm x 2,1 m Šļūtene (DXVA19-2558)
- 2 Pagarinājuma nūjiņas (DXVA19-1202)
- 1 Spraugas sprausla (DXVA19-1400)
- 1 Universāla sprausla (DXVA19-1300)
- 1 Gridas sprausla (DXVA19-1900D)
- 1 Tiklveida piederumu soma (DXVA19-5158)
- 1 Vienreizlietojamais putekļu mais (DXVA19-4204)
- 1 Clean Connect™ Filtrs (DXVC4001)
- 1 Putu filtrs (DXVA20-1200A)
- 1 Instrumentu adapteris (DXVA19-2780)
- 1 apvalus šepetys (DXVA19-2400)
- 1 Elkonis (DXVA19-2800)
- 1 Skrūvju komplekts
- 1 Skrūvju komplekts
- 4 Rattad

- Pārbaudiet instrumentu, tā sastāvdaļas un visus piederumus, vai tie nav bojāti pārvadāšanas laikā.
- Pirms lietošanas, lūdzu, veltiet laiku, lai pilnībā izlasītu un izprastu šo rokasgrāmatu.

DEFINĪCIJAS: DROŠĪBAS VADLĪNIJAS

Turpmāk sniegtajās definīcijās ir aprakstīts katra signālvārda nopietnības līmenis. Lūdzu, izlasiet rokasgrāmatu un pievērsiet uzmanību šiem simboliem.

▲ BĪSTAMĪBA: Norāda uz nenovēršami bīstamu situāciju, kas var izraisīt nāvi vai nopietnus ievainojumus, ja no tās neizvairīsies.

▲ BRĪDINĀJUMS: Norāda uz potenciāli bīstamu situāciju, kas var izraisīt nāvi vai nopietnus ievainojumus, ja no tās neizvairīsies.

▲ UZMANĪBU: Norāda uz potenciāli bīstamu situāciju, kas var izraisīt vieglus vai vidēji smagus ievainojumus, ja no tās neizvairīsies.

PIEZĪME: Norāda praksi, kas nav saistīta ar miesas bojājumiem un kas, ja netiek novērsta, var radīt kaitējumu īpašumam.

SVARĪGI DROŠĪBAS NORĀDĪJUMI

▲ BRĪDINĀJUMS: Lai samazinātu ugunsgrēka, elektriskās strāvas trieciena un miesas bojājumu risku, lietojot elektroierīces, vienmēr ievērojiet šādus drošības pamatpasākumus:

PIRMS IERĪCES LIETOŠANAS IZLASIET UN IEVĒROJIET VISUS NORĀDĪJUMUS.

▲ BRĪDINĀJUMS: Lai samazinātu elektriskās strāvas trieciena risku. Nepaļaujiet lietus iedarbībai. Uzglabāt iekštelpās.

- Neatstājiet ierīci, kad tā ir pieslēgta strāvas avotam. Izslēdziet to no kontaktligzdas, kad tas netiek lietots, un pirms apkopes.
- Neļaujiet ierīci izmantot kā rotaļlietu. Lietojot piederumu bērnu tuvumā, pievērsiet īpašu uzmanību.
- Lietojiet ierīci TIKAI tā, kā aprakstīts rokasgrāmatā. Izmantojiet tikai DEWALT ieteiktos piederumus.
- Nelietojiet ierīci ar bojātu vadu vai kontaktdakšu. Ja ierīce nedarbojas pareizi, ir nomesta, salauzta, atstāta ārā vai iemesta ūdenī, atdodiet to servisa centram.
- Ierīces vadu nedrīkst vilkt vai pārmēsāt, izmantot kā rokturi, izmantot durvju aizvēršanai vai vilkt ap asiem izliekumiem vai maļām. Vadiet ierīci tālāk no vada. Izvairieties novietot vadus karstu virsmu tuvumā.
- Lai atvienotu ierīci no tīkla, nekad nevelciet tās vadu. Lai atvienotu kontaktdakšu, turiet kontaktdakšu, nevis vadu.
- Neizmantojiet mitras rokas, lai darbotos ar kontaktdakšu vai ierīci.
- Neievietojiet ierīces atverēs nekādus priekšmetus. Uzglabājiet ierīci tīru no matiem, putekļiem un citiem priekšmetiem, kas varētu traucēt gaisa plūsmu. Nedarbiniet ierīci ar aizsprostotām atverēm.
- Sargājiet visas ķermeņa daļas, tostarp pirkstus, vaļēju apģērbu un matus, no atverēm un kustīgajām daļām.
- Pirms ierīces atvienošanas no tīkla izslēdziet visas vadības ierīces.
- Esiet īpaši uzmanīgi, tīrot kāpnēs.
- Nekad nelietojiet piederumu vietās, kur atrodas uzliesmojošas vai viegli uzliesmojošas vielas, vai lai uztvertu uzliesmojošus vai viegli uzliesmojošus šķidrumus, piemēram, benzīnu.
- Sausos reģionos vai ar zemu gaisa relatīvo mitrumu var rasties statiskie triecieni. Tas ir pārejošs process, un tam nav nekādas saistības ar putekļu sūcēja izmantošanu. Lai samazinātu statisko triecienu biežumu, pievienojiet gaisam mitrumu, izmantojot konsolē uzstādītu gaisa mitrinātāju vai šļūteni (standartaprīkojums dažiem modeļiem).
- Pēc katras lietošanas reizes iztukšojiet putekļu tvertni, lai novērstu pašai aizdedzāšanos.
- ▲ UZMANĪBU:** Ierīci nav paredzēts lietot personām (tostarp bērniem), kurām ir ierobežotas fiziskās, maņu vai garīgās spējas vai kurām trūkst pieredzes un zināšanu, ja vien par viņu drošību atbildīgā persona nav nodrošinājusi viņiem uzraudzību vai norādījumus par ierīces lietošanu. Ir svarīgi uzraudzīt bērnus, lai viņi nespēlētos ar ierīcēm.

SAGLABĀJIET ŠOS NORĀDĪJUMUS.

PAPILDU DROŠĪBAS NOTEIKUMI

- Nekad neņemiet rokās smēķējošiem vai degošus priekšmetus, tostarp sērkokoņus, karstus pelnus vai cigaretes.
- Ogles, graudus un citus smalki sadalītus viegli uzliesmojošus elementus nedrīkst sūkt. Šie materiāli ir sprādzienbīstamas degtspējīgas vielas.
- Esiet piesardzīgi, sūcot potenciāli kaitīgus, indīgus vai vēzi izraisošus priekšmetus, piemēram, pesticīdus vai azbestu.
- Nekad neņemiet rokās skābes, šķīdinātājus vai sprādzienbīstamas vielas (piemēram, mazutu, krāsu atšķaidītāju, dīzeldegvielu, benzīnu u. c.).
- Neizmantojiet putekļu sūcēju bez ievietotiem filtriem, izņemot gadījumus, kas aprakstīti sadaļā **SLAPJĀS SAVĀKŠANAS LIETOJUMPROGRAMMAS**.
- Dažu veidu koksnes sastāvā ir bīstami konservanti. Strādājot ar šādiem materiāliem, jāievēro īpaša piesardzība, lai izvairītos no saskares ar ādu un ieelpošanas. Pērciet materiāla avotam visu pieejamo drošības informāciju un ņemiet to vērā.
- Šo iekārtu nav paredzēts izmantot kā kāpnes, lai pakāptos augstāk.
- Izvairieties no smagu priekšmetu novietošanas uz putekļu sūcēja.
- Pirms lietojat pagarinātāja vadu, pārlicināties, ka pagarinātāja vads ir atbilstoša izmēra.
- Ja paredzēts lietot pagarinātāja vadu ārpus telpām, pārlicināties ka tam ir atbilstošs marķējums, kas apliecina piemērotību lietošanai āra apstākļos.

▲ BRĪDINĀJUMS:

Lai samazinātu šo ķīmikāliju iedarbību, lietojiet apstiprinātu drošības aprīkojumu, piemēram, putekļu maskas, kas ir īpaši izstrādātas, lai filtrētu mikroskopiskās daļiņas.

▲ BRĪDINĀJUMS:

• LAI SAMAZINĀTU TRAUMU RISKU, LIETOTĀJAM JĀIEPAZĪSTAS AR LIETOŠANAS INSTRUKCIJU. NEATSTĀJIET PUTEKĻU SŪCĒJU BEZ UZRAUDZĪBAS, KAD TĀS IR IESLĒGTS. NEKRĀT UZLIESMOJOŠUS, DEGOŠUS VAI KARSTUS MATERIĀLUS. NELIETOT SPRĀDZIENBĪSTAMU PUTEKĻU, ŠĶĪDRUMU VAI TVAIKU TUVUMĀ. ELEKTRISKĀS IERĪCES RADA ELEKTRISKOS LOKUS VAI DZIRKSTELĒS, KAS VAR IZRAISĪT UGUNSGRĒKU VAI SPRĀDZIENU. NELIETOT DEGVIELAS UZPILDES STACIJĀS VAI CITUR, KUR TIEK UZGLABĀTS VAI IZSNIEGTS BENZĪNS. NESŪKT TOKSISKUS VAI KANCEROGĒNUS MATERIĀLUS VAI CITUS VESELĪBAI BĪSTAMUS MATERIĀLUS, PIEMĒRAM, AZBESTU VAI PESTICĪDUS. VIENMĒR LIETOJIET ATBILSTOŠU ACU UN ELPOŠANAS CEĻU AIZSARDZĪBU. LAI SAMAZINĀTU ELEKTRISKĀS STRĀVAS TRIECIENA RISKU, NEPAKĻAUJIET LIETUS IEDARBĪBAI. UZTURĒT IEKŠTĒLPĀS. VEICOT APKOPI, IZMANTOJIET TĪKAI IDENTISKAS REZERVES DAĻAS. NEDRĪKST IZMANTOT KĀ KĀPSLI.

ATPAKOŠANA UN UZSTĀDĪŠANA

LIETOŠANAS INSTRUKCIJAS

IZPAKOŠANAS UN IESTĀTĪŠANAS KOPSAVILKUMS

1. Pavelkot vāka aizbīdņus uz āru, izņemiet maiņas uzgali un pārējos piederumus.
2. Montējiet izturīgus gumijotus riteņus, ievērojot šīs rokasgrāmatas norādījumus.
3. Pirms uzgaļa maiņas skatiet šo rokasgrāmatu, lai pārlicinātos, ka tīrīšanas procesam ir uzstādīti pareizie filtri.
4. Nomainiet barošanas galviņu un ar ikšķi stingri nospiediet katru fiksatoru, līdz tas iespraucas savā vietā. Pārbaudiet, vai katra vāka fiksators ir stingri nostiprināts.
5. Ievietojiet šļūtenes galu tvertnes ieplūdes atverē.
6. Pievienojiet pagarinātāja kātu šļūtenes galam. Nedaudz piespiediet, līdz tas cieši pieguļ.
7. Pievienojiet pagarinātājiem vienu no tīrīšanas piederumiem (atkarībā no tīrīšanas prasībām). Nedaudz pagrieziet, lai savienojums būtu drošāks.
8. Pievienojiet vadu pie sienas kontaktligzdas. Tagad ir iespējams izmantot putekļu sūcēju.

▲ BRĪDINĀJUMS:

Lai samazinātu ugunsgrēka vai sprādzienbīstamību, nelietojiet šo putekļu sūcēju vietās, kur ir uzliesmojošas gāzes, tvaiki vai sprādzienbīstami putekļi. Gāzes un tvaiki, kas var aizdegties, cita starpā ir šķītavu šķidrums, tīrīšanas līdzekļi uz šķīdinātāju bāzes, eļļas bāzes krāsas, benzīns, spirts un aerosola aerosoli. Sprādzienbīstami putekļi ir, piemēram, akmeņogles, magnijs, alumīnijs un graudu vai šaujampulveris. Nav ieteicams sūkt karstus pelnus, uzliesmojošus vai degošus šķidrums vai sprādzienbīstamus putekļus. Nekad neizmantojiet šo putekļu sūcēju, lai izsmidzinātu jebkuru uzliesmojošu vai viegli uzliesmojošu šķidrumu. Izvairieties no kaitīgu materiālu sūkšanas, lai mazinātu risku veselībai, ko var radīt dūmi vai putekļi.

SVARĪGI AIZSARDZĪBAS PASĀKUMI

Simbols uz produkta vai iepakojuma norāda, ka produktu nedrīkst uzskatīt par sadzīves atkritumiem. Tā vietā tas jānodod elektrisko un elektronisko komponentu pārstrādes savākšanas punktā. Nodrošinot pareizu rīcību ar izstrādājumu, tiks mazināts iespējamais kaitējums videi un cilvēku veselībai, kas varētu rasties, ja to apglabātu kā parastos atkritumus. Sīkāku informāciju par pārstrādi var iegūt, sazinoties ar tirdzniecības vietu, kurā iegādājāties preces, atkritumu savākšanas aģentūru vai vietējām par atkritumu pārstrādi atbildīgajām iestādēm..

VIDES AIZSARDZĪBA



Atsevišķa savākšana. Izstrādājumus un baterijas ar šo emblēmu nedrīkst izmest kopā ar parastajiem sadzīves atkritumiem.

Iekārtas un akumulatori satur materiālus ko ir iespējams pārstrādāt, samazinot iezemteriālu pieprasījumu. Izmetiet akumulatorus un elektrības vadus saskaņā ar vietējiem noteikumiem. Sīkāka informācija ir pieejama vietnē www.2helpU.com.

APRAKSTS (A attēls)

▲BRĪDINĀJUMS: Nekad nemodificējiet elektroierīci vai kādu tās daļu. Var rasties bojājumi vai miesas bojājumi.

- 1 Izturīgs rokturis / auklas apvalks
- 2 Strāvas vads
- 3 Ieslēgšanas/izslēgšanas slēdzis
- 4 Putekļu sūcēja galva
- 5 Vāka aizbidņi
- 6 Putekļu tvertne
- 7 Šļūtene
- 8 Riteņi
- 9 Clean Connect™ Filtrs
- 10 Putekļu sūcēja pieslēgvietā
- 11 Šļūtenes sikсна
- 12 Vienreizlietojamais putekļu maiss

MONTĀŽAS UN REGULĀCIJAS (A-C attēls)

▲BRĪDINĀJUMS: Pirms piederumu uzstādīšanas un noņemšanas, pirms modifikācijas vai iestatījumu maiņas vai remontdarbu veikšanas ierīci izslēdziet un atvienojiet no strāvas avota, lai samazinātu bojājumu risku. Nejausa ieslēgšanās var izraisīt traumas.

▲BRĪDINĀJUMS: Sūkņēšanas laikā filtram 9 vienmēr jāatrodas vietā, izņemot gadījumus, kas aprakstīti sadaļas DARBĪBA iedaļā SLAPJĀS SAVĀKŠANAS LIETOJUMPROGRAMMAS. Smalkas putekļu putekļu sūcējam var būt nepieciešams izmantot arī vienreizlietojamu putekļu maisiņu, lai atvieglotu putekļu tvertnes iztukšošanu.

1. Uzstādiet vienreizlietojamu putekļu maisiņu 12, kā parādīts B attēlā.
PIEZĪME: Uzmanieties, lai maisiņš netiktu saplēsts. Cieši ievietojiet maisiņu uz putekļu sūcēja atveres 10, lai nodrošinātu hermētisku blīvējumu maksimālai putekļu savākšanas efektivitātei.
2. Uzlieciet putekļu sūcēja galvu 4 uz putekļu tvertnes un nostipriniet to, aizverot vāka fiksatorus 5.
3. Ievietojiet šļūtenes 7 galu aizspraudņa šļūtenes putekļu sūcēja atverē 10 un pievelciet šļūtenes galu pie tvertnes.

IEKĀRTAS LIETOŠANA

Lietošanas instrukcijas (A, D, E attēls)

▲BRĪDINĀJUMS: Vienmēr ievērojiet drošības instrukcijas un piemērojamos noteikumus.

1. Iespraudiet strāvas vadu atbilstošā kontaktligzdā.
2. Pagrieziet ieslēgšanas/izslēgšanas slēdzi 3 pozīcijā IESLĒGTS (I).
3. DEWALT celtniecības putekļu nosūcējs ir aprīkots ar DEWALT savienojumu sistēmu. Tas nodrošina ātru un drošu savienojumu starp šļūteni 7 un elektroinstrumentu. Savienotājs 13 savienojams tieši ar DEWALT saderīgiem darbarīkiem vai izmantojot adapteri (pieejams pie vietējā DEWALT piegādātāja). Ja nepieciešams uzstādīt adapterus, skatiet E attēlu.
PIEZĪME: Ja izmantojat adapteri, pārliecinieties, ka tas ir stingri piestiprināts pie rīka kontaktligzdas, pirms izpildiet tālāk aprakstītās darbības.

DARBŠANAS INSTRUKCIJAS

KASTERA UZSTĀDĪŠANA (A, F attēls)

1. Apgrieziet putekļu tvertni un uzstādiet riteņus uz putekļu tvertnes apakšas un nostipriniet tos ar skrūvēm.
2. Atgrieziet putekļu tvertnes komplektu vertikālā stāvoklī.

IZŅEMT/IZMANTOT IZMANTOTU

IZDZERŠAMĀIS PUTAS VĀKSTS (A attēls)

▲BRĪDINĀJUMS: Strādājot ar izmantotajiem putekļu maisiem, jālieto piemēroti individuālie aizsardzības līdzekļi, piemēram, cimdi un putekļu maska.

1. Izslēdziet putekļu sūcēju un izņemiet vadu no kontaktligzdas.
2. Atbloķējiet vāka fiksatorus 5 un noņemiet putekļu sūcēja galviņu 4.
3. Uzmanīgi izvelciet vienreizlietojamu putekļu maisiņu 12 no putekļu sūcēja atveres 10.
4. Izņemot vienreizlietojamu putekļu maisiņu 12, cieši aiztaisiet tā atveri.
5. Izmetiet vienreizlietojamu putekļu maisiņu 12 atbilstošā konteinerā saskaņā ar normatīvajiem noteikumiem.

Slapjšas uztveršanas PIELIETOJUMI

(A, G attēls)

▲BRĪDINĀJUMS: Ja no iekārtas izplūst putas vai šķidrums, nekavējoties to izslēdziet.

▲BRĪDINĀJUMS: Neizmantojiet mašīnu ar šo iestatījumu L klases putekļiem.

Ja putekļu tvertne ir pilna, lodveida pludiņš 14 bloķēs gaisa pieplūdi motoram, un motora skaņa uzreiz mainīsies.

Kad motors atskan ar augstu skaņu un gaisa/ūdens plūsma apstājas, iztukšojiet putekļu tvertni.

1. Izslēdziet putekļu sūcēju un izņemiet vadu no kontaktligzdas.

Latviešu valoda

2. Atbloķējiet vāka fiksatorus **5** un noņemiet putekļu sūcēja galviņu **4**.
3. Iztukšojiet putekļu tvertnes **6** saturu piemērotā traukā vai kanalizācijā.

▲ UZMANĪBU: Regulāri tīriet ūdens līmeņa ierobežošanas ierīci un pārbaudiet, vai tā nav bojāta. Skatīt G attēlu.

PIEZĪME: Neizņemiet lodveida pludiņu **14**, jo tas var izraisīt putekļu sūcēja bojājumus. Lodveida pludiņš neļauj ūdenim iekļūt motorā.

Pirms putekļu sūcēja izmantošanas mitrai savākšanai:

- Pārlicinieties, ka putekļu tvertne ir tukša un tajā nav pārāk daudz putekļu.
- Noņemiet filtru **9**.

ATGRIEŠANĀS UZ SAUSA VAKUMA DARBĪBU (A attēls)

1. Iztukšojiet putekļu tvertni, skatiet norādījumus, kā IZTUKŠOT PUTEKĻU TVERTNI.
2. Novietojiet putekļu tvertni otrādi, līdz tā ir sausa. NEIZMANTO izmantot mitro putekļu tvertni sausai savākšanai.
3. Novietojiet putekļu sūcēja galvu **4** uz līdzenas virsmas, lai ierīce būtu sausa.
4. Uzstādiert filtrus, kad putekļu sūcēja galva ir sausa. Skatiet sadaļu Filtri sadaļā Uzturēšana.
5. Kad putekļu tvertne ir sausa, uzlieciet putekļu sūcēja galvu **4** uz putekļu tvertnes un nostipriniet to, aizverot vāka fiksatorus **5**.

Izslēgšana/TRANSPORTĒŠANA (A attēls)

1. Pagrieziet ieslēgšanas/izslēgšanas slēdzi **3** pozīcijā IZSLĒGTS.
2. Atvienojiet ierīci no tīkla.
3. Uzglabājiet barošanas vadu **2**, aptinot to ap iztūņo rokturi/vada vāku **1**, kā parādīts attēlā.
4. Pārvadājot mašīnu transportlīdzekļos, nostipriniet to.

UZTURĒŠANA

DeWALT ierīce ir izstrādāta tā, lai tā darbotos ilgu laiku ar minimālu apkopi. Augsta veiktspējas standarta uzturēšanai ir nepieciešama regulāra tīrīšana un rūpīga ierīču apkope.

▲BRĪDINĀJUMS: Pirms piederumu uzstādīšanas un noņemšanas, pirms modifikācijas vai iestatījumu maiņas vai remontdarbu veikšanas ierīci izslēdziet un atvienojiet no strāvas avota, lai samazinātu bojājumu risku. Nejausā ieslēgšanās var izraisīt traumas.

▲ BRĪDINĀJUMS: Pirms apkopes iekārta ir jāizjauc un jāiztīra tik cik tas ir iespējams, lai neapdraudētu servisa apkopes personālu.

Pirms apkopes veikšanas ir jāievēro individuālie piesardzības pasākumi.

- Razotajam vai instruētai personai jāveic ikgadēja tehniskā pārbaude. Šajās pārbaudēs jāiekļauj filtra bojājumu novērtējums, iekārtas hermētiskuma pārbaude un kontroles mehānisma pareizas darbības novērtējums.

- Veicot apkopes vai remonta darbus, visi piesārņotie priekšmeti, kurus nav iespējams apmierinoši notīrīt, ir jāiznīcina; Šādi priekšmeti jāiznīcina necaurļaidīgos maisos saskaņā ar visiem spēkā esošajiem noteikumiem par šādu atkritumu iznīcināšanu.

FILTRS (A, H, I attēls) FILTRU KOPŠANA

Šī putekļu sūcējam pievienotie filtri ir ar ilgu kalpošanas laiku. Lai efektīvi samazinātu putekļu recirkulāciju, filtriem jābūt pareizi uzstādītiem un labā stāvoklī.

▲BRĪDINĀJUMS: Strādājot ar filtriem, jālieto piemēroti individuālie aizsardzības līdzekļi, piemēram, putekļu maska un cimdi.

Clean Connect™ filtra noņemšana

1. Pagrieziet ieslēgšanas/izslēgšanas slēdzi **3** pozīcijā IZSLĒGTS (O) un atvienojiet vadu no kontaktlīdzgads.
2. Atbrīvojiet vāka fiksatorus **5** un noņemiet putekļu sūcēja galvu **4** no korpusa. Novietojiet putekļu sūcēja galvu uz līdzenas virsmas otrādi.
3. Pagrieziet katru filtru **9** pretēji pulksteņrādītāja rādītāja virzienam, satverot to par plastmasas gala vāciņu, kā parādīts attēlā, un uzmanīgi noņemiet no galvas, nodrošinot, lai gruzi nenokļūtu montāžas atverē.

PIEZĪME: Uzmanieties, lai nesabojātu filtra materiālu.

4. Ja nepieciešams iztīrīt putekļu sūcēja galvas **4** apakšējo pusī, izmantojiet ar ūdeni un maigām ziepēm samitrinātu drānu un ļaujiet tai nožūt. Izmetiet drānu piemērotā konteinerā.
5. Pārbaudiet, vai filtri nav nodiluši, saplēsti vai citādi bojāti.

PIEZĪME: Ja rodas šaubas par filtru stāvokli, tie ir jānomaina. PĀRTRAUCIET lietošanu, ja filtri ir bojāti.

▲BRĪDINĀJUMS: Neattīriet filtrus ar saspīestu gaisu vai suku, jo tas var kaitēt filtra membrānai un vēlāk caur to var iekļūt putekļu daļiņas. Ja nepieciešams, viegli piesietiet pie cietas virsmas vai notīriet ar ūdeni istabas temperatūrā un ļaujiet tam izžūt dabiski. Pat ja filtrs ir pārklāts ar putekļiem, filtra tīrīšana parasti nav nepieciešama. Automātiskās filtra tīrīšanas sistēmas darbība tiks uzturēta un optimizēta. Ja filtra membrāna ir vizuāli bojāta, nomainiet filtrus. Parasti filtru kalpošanas laiks ir no sešiem līdz divpadsmit mēnešiem, atkarībā no to apkopes un lietošanas.

Clean Connect™ filtra uzstādīšana

1. Pārlicinieties, ka filtra blīvējums **15** ir vietā un ir drošs.
2. Saskaņojiet filtra vītnes **16** ar putekļu sūcēja galvas vītņiem un ar mērenu spēku pagrieziet filtru pulksteņrādītāja virzienā, līdz tas ir cieši piestiprināts.

PIEZĪME: Noņemiet putu filtru un, veicot sauso uztveršanu, nomainiet to ar Clean Connect™ filtra Uzlieciet putekļu sūcēja galvu **4** uz putekļu tvertnes un nostipriniet to, aizverot vāka fiksatorus **5**.

Latviešu valoda

PIEZĪME: Noņemiet putu filtru un, veicot sauso uztveršanu, nomainiet to ar Clean Connect™ filtru.

Putu filtra uzstādīšana

Šī tīrīšanas līdzekļa pārveidošana no sausā uz mitro uztveršanas režīmu ir neliela. Nelielus šķidruma daudzumus var izsūknēt, izmantojot tīru kārtidža filtru. Ja putekļsūcēja ir daudz šķidrums, noņemiet kārtidža filtru un visus putekļu filtrus, neatkarīgi no tā, vai tie ir atkārtoti vai vienreizlietojami, lai iegūtu optimālus rezultātus. Uzstādiet putu filtru 17, kā parādīts J attēlā. Putu filtra uzstādīšana palīdzēs aizsargāt motoru un līdz minimumam samazinās miglas veidošanās iespēju, kas var parādīties izplūdes gaisā vai šķidrums pīlēšanu ap vāku.

IZTUKŠOT PUTEKĻU TVERTNI (K attēls)

▲BRĪDINĀJUMS: Lai samazinātu traumu risku nejaušas iedarbināšanas gadījumā, pirms putekļu tvertnes 6 iztukšošanas atvienojiet strāvas padeves kabeli.

1. Noņemiet mitrās/sausās putekļu sūcēja jaudas galvas komplektu, velkot uz āru vāka aizdares klipšus, kas atrodas abās putekļu sūcēja pusēs. Paceliet motora galvas komplektu.
2. Iztukšojiet putekļu tvertnes saturu atbilstošā atkritumu konteinerā.
3. Šķidrumus var iztukšot caur tvertnes iztukšošanas atveri 18 izslēdziet ierīci un atvienojiet kontaktdakšu no elektriskās rozetes, lai to iztukšotu. Noņemiet drenāžas vāciņu un šķidrums atkritumus novadiet piemērotā drenāžā. Pēc tvertnes iztukšošanas ievietojiet iztukšošanas vāku tā sākotnējā vietā.

Instrumenta pievienošana (L, M attēls)

1. Pārlicinieties, ka vadības slēdzis 3 ir pozīcijā "Izslēgts" un strāvas padeve nav pieslēgta.
2. Nākamajam solim ir 2 iespējas.
 1. iespēja: Vispirms pievienojiet instrumentu putekļu sūcējam, pēc tam pievienojiet barošanas avotu un pagrieziet vadības slēdzi 3 pozīcijā IESLĒGTS (I), šajā brīdī putekļu sūcējs sāks darboties.
 2. iespēja: Vispirms pievienojiet instrumentu putekļu sūcējam, pēc tam pievienojiet barošanas avotu un pagrieziet ieslēgšanas/izslēgšanas vadības slēdzi 3 pozīcijā IESLĒGTS (II), šajā laikā elektroinstrumenti var sākt darboties.

▲BRĪDINĀJUMS: Ār ē jos elektroinstrumentus pieslēdziet tikai putekļu sūcēja kontaktligzdai. Savienotais elektroinstrumenti tiek izmantoti, lai automātiski ieslēgtu un izslēgtu putekļu sūcēju. Elektroinstrumenta pieslēgta slodze nedrīkst būt lielāka par putekļu sūcēja kontaktligzdas maksimālo pieslēgto slodzi. Lietojot elektroinstrumentu, kas ir pievienots putekļu sūcēja kontaktligzdai, pievērsiet uzmanību arī lietošanas instrukcijām un drošības pasākumiem.

IETEIKUMS: Vienmēr darbiniet putekļu sūcēju, izmantojot atteikuma strāvas ierīci (RCD) ar nominālo atteikuma strāvu 200 mA vai mazāku. Pirms instrumenta pieslēgšanas putekļu sūcēja

pārlicinieties, ka elektroinstrumenta slēdzis ir pozīcijā "Izslēgts". Pēc tam, kad ir izslēgts putekļu sūcēja kontaktligzdai pievienotais elektroinstrumenti, putekļsūcējs darbosies aptuveni 15 sekundes un pēc tam automātiski izslēgsies.

ELEKTRODROŠĪBA

1. **Elektroinstrumentu kontaktdakšām jāatbilst kontaktligzdai. Nekādā veidā nemodificējiet kontaktdakšu. Neizmantojiet adaptera kontaktdakšas ar iezemētiem elektriskajiem instrumentiem.** Elektriskās strāvas triecienu risku var samazināt, izmantojot kontaktligzdas, kas atbilst kontaktdakšām, kuras nav mainītas.
2. **Izvairoties no ķermeņa saskares ar iezemētām virsmām, piemēram, ledusskapjiem, plīti, radiatoriem un caurulēm.** Ja jūsu ķermenis ir iezemēts vai iezemēts, pastāv lielāka iespēja, saņemt elektrisko triecienu.
3. **Izvairoties no elektroinstrumentu lietošanas lietu vai citos mitros apstākļos.** Ja elektroinstrumentā iekļūst ūdens, palielinās elektriskā šoka risks.
4. **Neizmantojiet vadu ļaunprātīgi. Nekad nepārnēsājiet, nevelciet un neatvienojiet elektroinstrumentu, izmantojot vadu. Sargājiet vadu no kustīgām detaļām, karstuma, eļļas un asām malām.** Iespēja saņemt elektriskās strāvas triecienu ir mazāka, ja tiek izmantots āra apstākļiem piemērots vads.
5. **Izmantojot elektroinstrumentu ārpus telpām, izmantojiet pagarinātāju, kas paredzēts lietošanai ārpus telpām.**
6. **Ja elektroinstrumentu lietošana mitrā vidē ir neizbēgama, pārlicinieties, ka strāvas padeve ir aizsargāta ar strāvas zudumstrāvas ierīci (RCD).** Elektriskās strāvas triecienu risks samazinās, ja tiek izmantots RCD.
7. Elektromotors ir paredzēts darbam tikai ar vienu spriegumu. Pārlicinieties, ka barošanas avota un nomināļplāksnītē norādītais spriegums vienmēr sakrīt. Bojātu barošanas vadu drīkst nomainīt tikai DeWALT vai pilnvarota servisa organizācija.

ELEKTROTĪKLA KONTAKTDAKŠAS NOMAINĀ (TIKAI APVIENOTAJĀ KARALISTĒ UN IRIJĀ)

Ja nepieciešams uzstādīt jaunu elektrotīkla kontaktdakšu:

- Droši atbrvojieties no vecā kontaktdakšas.
- Pievienojiet brūno vadu kontaktdakšas strāvas spraudnim.
- Savienojiet zilo vadu ar neitrālo spalli.
- Pievienojiet dzelteno/zaļo vadu zemējuma spraudnim. Ievērojiet montāžas norādījumus, kas pievienoti labas kvalitātes kontaktdakšu komplektācijā. Ieteicamais drošinātājs: 13A.

▲BRĪDINĀJUMS: Nekad neizmantojiet gaismas kontaktdakšas. Nekad nepieslēdziet strāvas (L) vai neitrālo (N) vadu zemējuma kontaktiem, kas apzīmēti ar E vai $\frac{1}{2}$.

Latviešu valoda

▲ BRĪDINĀJUMS: Nekad neizmantojiet gaismas kontaktlīdzdu. Nekad nepieslēdziet strāvas (L) vai neitrālo (N) vadu zemējuma kontaktiem, kas apzīmēti ar E vai $\frac{1}{2}$.

IZMANTOJOT PAGARINĀTĀJU

Ja ir nepieciešams pagarinātājs, izmantojiet apstiprinātu trīsdzīslu pagarinātāju, kas piemērots šī instrumenta ieejas strāvas padevei (skatīt Tehniskos datus). Minimālais vadu izmērs ir 1,5 mm²; maksimālais garums ir 30 m.

Lietojot kabeļa rullī, vienmēr pilnībā iztīniet kabeli.

PŪŠANAS FUNKCIJA (C attēls)

▲ BRĪDINĀJUMS: Lai izvairītos no apkārtējo cilvēku ievainojumiem, neļaujiet tiem saskarties ar pūstošiem gružiem.

Putekļu sūcējam ir izpūšanas funkcija. Tam ir iespēja pūst zāģu skaidas un citus gružus. To var izmantot netīrumu un gružu noņemšanai no ceļiem, pagalmiem un garāžām. Lai izmantotu putekļu sūcēju kā pūtēju, izpildiet tālāk aprakstītās darbības.

1. Atrodiet putekļu sūcēja izpūšanas atveri.
2. Ievietojiet vienu šļūtenes galu izpūšanas atverē.
3. Ieslēdziet putekļu sūcēju "IESLĒGTS".

UZGLABĀŠANA (A attēls)

1. Iztukšojiet putekļu tvertni, skatiet norādījumus, kā IZTUKŠOT PUTEKĻU TVERTNI.
2. Iztīriet putekļu sūcēju no iekšpuses un ārpusēs. Skatiet sadaļu TĪRĪŠANA.
3. Iztīriet vai nomainiet filtrus, skatiet FILTERS.
4. Uzglabājiet šļūteni un strāvas vadu, kā parādīts A attēlā. Ieīci novietojiet sausā telpā un pasargājiet to no nesankcionētas lietošanas.

PAPILDAPRĪKOJUMS

▲ BRĪDINĀJUMS: Citiu piederumu, kas nav DeWALT piederumi, lietošana ar šo izstrādājumu var būt bīstama, jo tie nav pārbaudīti kopā ar šo izstrādājumu.

Lai samazinātu traumu risku, kopā ar šo izstrādājumu izmantojiet tikai DeWALT ieteiktos piederumus.

TĪRĪŠANA

Lai saglabātu mitrās/sausās putekļu sūcēja labāko izskatu, notīriet tā ārpusi ar drānu, kas samitrināta ar siltu ūdeni un maigām ziepēm.

Tvertnes tīrīšana:

1. Izmetiet gružus.
2. Rūpīgi nomazgājiet tvertni ar siltu ūdeni un maigām ziepēm.
3. Noslaukiet ar sausu drānu.

TRAUCĒJUMU NOVĒRŠANA

▲ BRĪDINĀJUMS:

Nelielas problēmas bieži vien var novērst, neiesaistot klientu apkalpošanas dienestu.

PROBLĒMA	RISINĀJUMS
Motors nestrādā	Pārbaudiet strāvas vadu, kontaktakšus un kontaktlīdzdu Pārļiecinieties, ka ieslēgšanas/izslēgšanas slēdzis ir pozīcijā IESLĒGTS (I).
Sūkšanas jauda samazinās	Noņemiet aizsprostojumus grīdas sprauslā, pagarinātājos, šļūtenē vai filtrā. Nomainiet vienreizlietojamo putekļu maisiņu. Pārbaudiet, vai filtrs ir pareizi uzstādīts. Notīriet vai nomainiet filtru Iztukšojiet putekļu tvertni, skat. sadaļu TVERTNES IZTUKŠOŠANA sadaļā LIETOŠANAS INSTRUKCIJA .
Putekļu sūcēja darbības pārtraukšana	Ir notikusi termiskā pārslodze: 1. Izsēdziet putekļu sūcēju un atvienojiet to no strāvas avota. 2. Ja nepieciešams, iztukšojiet putekļu tvertni. 3. Ļaujiet ierīcei atdzist. 4. Lai veiktu pārbaudi, pievienojiet strāvas vadu atbilstošā kontaktlīdzdā un pagrieziet ieslēgšanas/izslēgšanas slēdzi pozīcijā IESLĒGTS (I).
No putekļu sūcēja nāk arī puteklj	Pārbaudiet, vai filtri ir pareizi uzstādīti. Pārļiecinieties, vai filtri nav bojāti; ja nepieciešams, nomainiet tos. Pārļiecinieties, ka filtra blīves ir ievietotas pareizi. Pārbaudiet putekļu sūcēja galvas montāžu.

▲ BRĪDINĀJUMS: Lai novērstu apdraudējumu, bojāta barošanas vada nomaiņa jāveic ražotājam, tā servisa pārstāvim vai citai attiecīgi pilnvarotai personai, ja tas ir bojāts.

▲ BRĪDINĀJUMS: Šis produkts NAV izmantojams patogēnu, piemēram, COVID-19, filtrēšanai. Ievērojiet visas vietējās, štata un federālās vadlīnijas par vispārējo tīrīšanas praksi.



TOOTE SPETSIFIKATSIOONID

Mudel	DXV30SAPTA
Võimsus	220-240V / 50/60Hz / 1050W
Tihendi rõhk	15kPa
Õhk madal	37,8L/S
Paagi maht	30L*
Voolik	3Gx1,5mm ² / 3,05m

*Paagi maht viitab tegelikule paagi mahule ja ei kajasta töötamise ajal saadaolevat mahtu.

PAKI SISU

Pakett sisaldab:

- 1 48mm x 2,1m voolik (DXVA19-2558)
 - 2 Pikendusvarda (DXVA19-1202)
 - 1 Prahtotsik (DXVA19-1400)
 - 1 Utiliidi otsik (DXVA19-1300)
 - 1 Põrandaotsik (DXVA19-1900D)
 - 1 Võrgustikuga tarvikute kott (DXVA19-5158)
 - 1 Ühekordne tolmutkott (DXVA19-4204)
 - 1 Puhas Connect™ Filter (DXVC4001)
 - 1 Vaht filter (DXVA20-1200A)
 - 1 Tööriista adapter (DXVA19-2780)
 - 1 ümmargune hari (DXVA19-2400)
 - 1 Kүүnarnukk (DXVA19-2800)
 - 1 Kasutusjuhend
 - 1 Kruvipakett
 - 4 Rattad
- Kontrollige transportimise ajal tööriistade, osade või tarvikute võimalikke kahjustusi.
 - Enne kasutamist lugege see juhend hoolikalt läbi ja sellest aru saama.

MÕISTED: OHUTUSJUHISED

Järgmine definitsioon kirjeldab iga signaalsõna raskusastet. Lugege juhend läbi ja pöörake tähelepanu nendele sümbolitele.

▲ OHT: Viitab otsesele ohule, mis võib lõppeda surma või tõsise vigastusega, kui seda ei väldita.

▲ HOIATUS: Viitab potentsiaalselt ohtlikule olukorrale, mis võib lõppeda surma või tõsise vigastusega, kui seda ei väldita.

▲ ETTEVAATUST: Viitab potentsiaalselt ohtlikule olukorrale, mis, kui seda ei väldita, võib põhjustada kergeid või möödukaid vigastusi.

MÄRKUS: Viitab tavale, mis ei ole seotud kehavigastustega, mille mitteväldimine võib põhjustada varalist kahju.

OLULISED OHUTUSJUHISED

▲ HOIATUS: Elektriseadmete kasutamisel on oluline järgida põhilisi ohutusmeetmeid, et vähendada tulekahju, elektrilöögi ja kehavigastuste ohtu, sealhulgas järgmist:

ENNE SEADME KASUTAMIST LUGEGE PALUN KÕIKI JUHISED NING JÄRGIGE.

▲ HOIATUS: Vähendage elektrilöögi ohtu. Ärge jätke end vihma kätte. Hoida siseruumides.

- Ärge lahkuge seadmest, kui see on vooluallikaga ühendatud. Eemaldage see pistikupesast, kui seda ei kasutata ja enne hooldust.
 - Ärge kasutage seda toodet mänguasjana. Lapsed peaksid seda toodet kasutades või lastele lähenedes tähelepanelik olema.
 - Kasutage seadet AINULT vastavalt juhendis toodud juhistele. Kasutage ainult DEWALTi soovitatud tarvikuid.
 - Ärge kasutage seda toodet, kui toitejuhe või pistik on kahjustatud. Kui seade ei tööta korralikult või on kukkunud, kahjustunud, välja jäetud või vette kukkunud, tagastage see teeninduskeskusesse.
 - Ärge tõmmake ega liigutage toitejuhet, kasutage seda käepidemena, sulgege toitejuhtme luuki ega tõmmake toitejuhet teravate servade või nurkadeni. Ärge käivitage seadet toitejuhtmega. Hoidke toitejuhe kuumutatud pinnast eemal.
 - Ärge eemaldage seadet vooluvõrgust juhtmest tõmmates. Pistikust lahtiühendamiseks haarake toitejuhtme asemel pistikust.
 - Ärge käsitsege pistikut ega seadet märgade kätega.
 - Ärge pange mingeid esemeid seadme avasse. Ärge kasutage seda toodet üheski olukorras, kus ava on blokeeritud; Hoidke eemal tolmust, kiududest, juustest ja kõigest muust, mis võib õhuvoolu vähendada.
 - Hoidke juuksed, lahtised riided, sõrmed ja kõik kehaosad avadest ja liikuvatest osadest eemal.
 - Enne seadme vooluvõrgust lahti ühendamist lülitage kõik juhtnupud välja.
 - Olge treppide puhastamisel eriti ettevaatlik.
 - Ärge kasutage seda seadet kergesti süttivate või põlevate vedelike (nt bensini) kogumiseks ega kohtades, kus leidub tuleohtlikke või põlevaid vedelikke.
 - Kuivades piirkondades või madala suhtelise õhuniiskuse korral võib tekkida elektrostaatiline šokk. See on ajutine ja ei mõjuta vaakumi kasutamist. Elektrostaatilise löögi sageduse vähendamiseks kasutage õhuniiskuse lisamiseks konsooli, paigaldage niisutaja või kasutage voolikut (teatud mudelite standardkonfiguratsioon).
 - Isesüütmise vältimiseks tühjendage tolmutkogumispaak pärast iga kasutamist.
- ▲ ETTEVAATUST:** Seda seadet ei saa kasutada füüsilise, sensoorse või vaimse puudega või kogemuste ja teadmiste puudumisega inimesed (sealhulgas lapsed), välja arvatud juhul, kui neid jälgivad või juhendavad töötajad, kes vastutavad selle ohutuse eest selle seadme kasutamisel. Lapsi tuleb jälgida, et nad selle tootega ei mängiks.

**SALVESTA NEED JUHISED
TÄIENDAVAD OHUTUSESKIRJAD**

- Ärge korjake üles põlevaid või suitsevaid esemeid, nagu sigarette, tikke või kuuma tuhka.
- Ärge kasutage süttivate plahvatusohtlike materjalide, nagu kivisüsi, teravilja või muude peenestatud süttivate materjalide imemiseks.
- Ärge kasutage tolmuimemisel ohtlike, toksiliste või kantserogeensete ainete (nt asbesti või insektiitsiidide) puhastamiseks.
- Ärge koguge plahvatusohtlike vedelikke (nagu bensiini, diislikütus, kütteõli, värvivedeldi jne), happeid ega lahusteid.
- Ärge kasutage vaakumit ilma filtriteta, välja arvatud juhul, kui on kirjeldatud jaotises **Märjkorjamise rakendus**.
- Osa puit sisaldab säilitusaineid, mis võivad olla mürgised. Olge nende materjalide kasutamisel eriti ettevaatlik, et vältida sissehingamist ja kokkupuudet nahaga. Nõuda ja järgida materjali tarnija antud ohutusteavet.
- Ärge kasutage vaakumit redelina.
- Ärge asetage raskeid esemeid vaakumisse.
- Ohutuskalutlustel peab pikenduskaabel olema piisava suurusega.
- Kui soovite pikendusjuhtmeid kasutada õues, peavad need olema märjastatud.

▲ HOIATUS:

Nende kemikaalidega kokkupuutumise vähendamiseks kandke heakskiidetud turvavarustust, näiteks tolmu- ja keemikmaski, mis on spetsiaalselt loodud väikeste osakeste filtreerimiseks.

▲ HOIATUS:

- VIGASTUSOHU VÄHENDAMISEKS PEAVAD KASUTAJAD LUGEMA KASUTUSJUHENDI. ÄRGE JÄTKE TOLMUIMURIT AVAMISEL JÄRLEVALVETA. ÄRGE KOGAGE SÜTTÖTTIVAD, SÜTTIVAD VÕI KÕRGE TEMPERatuurIGA MATERJALID. ÄRGE KASUTAGE PLAHVATUSOHTLIKU TOLMU, VEDELIKKE VÕI AURU ÜMBRUSES. ELEKTRISEADMED VÕIVAD TEKITADA KAARID VÕI SÄDEDET, MIS VÕIVAD PÕHJUSTADA TULEKAHJU VÕI PLAHVATUSI. ÄRGE KASUTAGE SEDA TENNIKAJAAMADES VÕI KUSKAS, KUS BENSIINI HOIATAKSE VÕI JAOTATAKSE. ÄRGE KASUTAGE TOLMUIMURIT MÜRGILISTE VÕI KANTSEROGEENSETE MATERJALIDE VÕI MUUDE TERVISELE KAHJULIKE MATERJALIDE, NAGU ASBESTI VÕI PUTUKATSIIDIDE EEMALDAMISEKS. KASUTAGE ALATI SÕIDAVAID SILMA JA HINGAMISTEED KAITSEVAHENDIT. ELEKTRILÖÖGI OHTU VÄHENDAMISEKS ÄRGE KOKKU VIHMA KOHTA. KAUPLUS SISSE. REMONDIMISEL KASUTAGE AINULT SAMU VARUOSA. ÄRGE KASUTAGE JALATUURINA.

**SALVESTA NEED JUHISED
KASUTUSJUHE**

LAHTIPAKKIMINE JA SEADISTAMISE KOKKUVÕTE

1. Tõmmake kaane riivi väljapoole, et eemaldada toitepea ja mõned tarvikud, mis võivad olla kütusepaaki paigaldatud.
2. Paigaldage vastupidavad kummirattad vastavalt käesolevas juhendis toodud juhistelet.
3. Enne toitepea vahetamist lugege palun seda juhendit, et veenduda, et olete puhastustoiminguteks õige filtri paigaldanud.
4. Asetage toitepea tagasi ja vajutage pöidlaga igale riivile, kuni see klõpsab kindlalt oma kohale. Veenduge, et kõik kaane riivid on kindlalt kinnitatud.
5. Sisestage vooliku ots paagi sisselaskeavasse.
6. Ühendage pikendusvarras vooliku otsaga. Rakendage kergert survet, kuni liitekoht on pingutatud.
7. Ühendage üks puhastustarvikute (olevalt puhastusnõuetest) pikendusvarda külge. Ühenduse pingutamiseks keerake õrnalt.
8. Sisestage toitejuhe seinakontakti. Tolmuimeja on kasutamiseks valmis.

▲ HOIATUS:

Tulekahju- või plahvatusohu vähendamiseks ärge kasutage seda tolmuimejat kohtades, kus õhus on tuleohtlike gaase, auru või plahvatusohtlikku tolmu. Tuleohtlike gaaside või aurude hulka kuuluvad, kuid mitte ainult, süütevedelikud, lahustipõhised puhastusvahendid, õlised katted, bensiin, alkohol või aerosoolpihustid. Plahvatusohtlik tolm hõlmab, kuid mitte ainult, kivisüsi, magneesiumi, alumiiniumi, terad või püssirohtu. Ärge kasutage plahvatusohtliku tolmu, kergestsüttivate või põlevate vedelike ega kuuma tuha eemaldamiseks tolmuimejat. Ärge kasutage seda tolmuimejat tuleohtlike või põlevate vedelike pihustina. Auru või tolmuga seotud terviseohtude vähendamiseks ärge kasutage mürgiste materjalide sissehingamiseks tolmuimejat.

OLULISED KAITSEVEETMED

Tootel või pakendil olev sümbol näitab, et toodet ei tohi käsitleda olmejäätmetena. Vastupidi, see tuleks üle anda elektri- ja elektroonikakomponentide ringlussevõtu kogumispunkti. Tagades toote õige käitluse, aitab see ära hoida võimaliku negatiivset mõju keskkonnale ja tervisele, mida põhjustab toote üldjäätmetena kasutuselt kõrvaldamine. Taaskasutamise kohta lisateabe saamiseks pöörduge kohalike omavalitsuste, prügiveoteenuse pakkujate või müügipunktide poole, kust kauba ostsite.

PROTECTING THE ENVIRONMENT



Koguge eraldi. Selle sümboliga tähistatud tooteid ja patareisid ei tohi visata koos tavaliste olmejäätmetega.

Tooted ja akud sisaldavad taaskasutatavaid materjale, vähendades seeläbi nõudlust tooraine järele. Palun taaskasutage elektritooteid ja akud vastavalt kohalikele eeskirjadele. Lisateabe saamiseks külastage veebisaiti www.2helpU.com

KIRJELDUS (joonis A)

▲ HOIATUS: Ärge muutke toiteallikat ega selle ühtegi osa. Võib põhjustada kahjustusi või kehavigastusi.

- 1 Tugev käepide / nõõrimähis
- 2 Voolujuhe
- 3 Sisse/välja lüliti
- 4 Vaakumpea
- 5 Kaane sulgurid
- 6 Tolmupaak
- 7 Voolik
- 8 Rattad
- 9 Puhastage connect™ filter
- 10 Vaakumport
- 11 Vooliku rihm
- 12 Ühekordne tolmuksott

KOOSTAMINE JA REGULEERIMINE (joonis A–C)

▲ HOIATUS: Vigastusohu vähendamiseks lülitage seade enne tarvikute paigaldamist ja eemaldamist, seadete reguleerimist või muutmist või remontimist välja ja vooluvõrgust lahti.

Juhuslik käivitamine võib põhjustada vigastusi.

▲ HOIATUS: Filter 9 peab tolmuimemise ajal alati paigas olema, välja arvatud juhul, kui on kirjeldatud jaotises KASUTAMINE jaotises Märkgorjamise rakendused. Peentolmu imemisel peate võib-olla kasutama ka ühekordset tolmuksotti, et tolmuvaagi tühjendamine oleks lihtsam.

1. Paigaldage ühekordselt kasutatav tolmuksott 12, nagu näidatud Joonisel B.

- MÄRGE:** Olge ettevaatlik, et kotti ei rebeneks. Asetage kott kindlalt vaakumporti 10, et tagada maksimaalne tolmu kogumise tõhusus.
2. Asetage tolmuimeja pea 4 tolmuvaagile ja kinnitage see, sulgedes kaane riivid 5.
 3. Sisestage vooliku 7 ots klambriga vooliku vaakumporti 10 ja pingutage vooliku ots paagi külge.

KASUTAMINE

KASUTUSJUHEND (joonis A, D, E)

▲ HOIATUS: Järgige alati ohutusjuhiseid ja kehtivaid eeskirju.

1. Sisestage toitejuhe sobivasse pistikupesasse.
2. Keerake sisse/välja lüliti 3 asendisse ON (I).
3. DEWALT ehitustolmuimeja on varustatud DEWALTi ühendussüsteemiga. See võimaldab kiiret ja turvalist ühendust vooliku 13 ja elektrilise tööriista vahel. Pistik ühendatakse 7 otse DEWALTiga ühilduvate tööriistadega või adapteri abil (saadaval kohalikult DEWALTi tarnijalt). Kui teil on vaja adapterid installida, vaadake joonist E.

MÄRGE: Kui kasutate adapterit, ühendage see enne järgmiste toimingute tegemist kindlalt tööriista pistikupesasse.

KASUTUSJUHEND

RASTA PAIGALDAMINE (joonis A, F)

1. Pöörake tolmuvaak tagurpidi ja paigaldage rattad tolmuvaagi põhja ning kinnitage need kruvidega.
2. Tagastage tolmuvaagi komplekt püsti.

EEMALDA/VAHETA KASUTATUD ÜHEKSEKS KASUTATUD TOLMUKOTT (joonis A)

▲ HOIATUS: Kasutatud tolmuksottide käsitsemisel tuleb kasutada sobivaid isikukaitsevahendeid, nagu tolmu maskid ja kindad.

1. Lülitage vaakum välja ja eemaldage juhe pistikupesast.
2. Vabastage kaane riivid 5 ja eemaldage vaakumpea 4.
3. Tõmmake ühekordne tolmuksott 12 ettevaatlikult vaakumpordist 10 välja.
4. Tihendage ühekordselt kasutatava tolmuksotti 12 ava masinast eemaldamisel tihedalt.
5. Visake ühekordselt kasutatav tolmuksott 12 vastavasse mahutisse vastavalt seaduslikele sätetele.

Märkgorjamise rakendused (joonis A, G)

▲ HOIATUS: Kui masinast väljub vahtu või vedelikku, lülitage see kohe välja.

▲ HOIATUS: Ärge kasutage masinat sellise seadistusega tolmuksottide L jaoks.

Kui tolmuvaak on täis, blokeerib kuulujuk 14 õhu mootoris ja mootori heli muutub korraka. Kui mootor teeb teravat heli ja õhu/vee vool peatub, tühjendage tolmuksott.

1. Lülitage vaakum välja ja eemaldage juhe pistikupesast.
2. Vabastage kaane riivid 5 ja eemaldage vaakumpea 4.
3. Tühjendage tolmuvaagi sisu 6 sobivasse anumasse või äravoolu.

▲ ETTEVAATUST. Puhastage veetaseme piirajat regulaarselt ja kontrollige, kas sellel pole kahjustusi. Vaadake joonist G.

MÄRKUS: ÄRGE eemaldage kuulujukit 14, see võib kahjustada vaakumit. Kuulujuk hoiab ära vee sisenemise mootoris.

Enne tolmuimeja kasutamist märgkorje jaoks:

- Veenduge, et tolmutkogumiskast oleks tühi ja vaba liigsest tolmust.
- Eemaldage filter 9.

TAGASI TEEMINE KUIVVAKUUMTÖÖLE (joonis A)

1. Tühjendage tolmupeak, vaadake juhiseid **TÜHJENDA TOLMUPEAK**.
2. Asetage tolmupeak tagurpidi, kuni see kuivab. ÄRGE kasutage kuivkorjamiseks märja tolmupeaki.
3. Asetage vaakumpea 4 seadme tasasele pinnale kuivaks.
4. Kui vaakumpea on kuiv, paigaldage filtrid uuesti. Vaadake jaotist Hooldus jaotist Filtrid.
5. Kui tolmupeak on kuiv, asetage tolmuimeja pea 4 tolmupeagile ja kinnitage see, sulgedes kaane riivid 5.

LÜLITAMINE/TRANSPORTIMINE (joonis A)

1. Lülitage sisse/välja lüliti 3 asendisse OFF.
2. Ühendage seade lahti.
3. Hoidke toitejuhet 2 ümber tugeva käepideme/ juhtme mähise 1, nagu joonisel näidatud.
4. Sõidukites transportimisel kinnitage masin.

HOOLDUS

DEWALTi seadmed on mõeldud pikaajaliseks tööks minimaalse hooldusega. Pidev rahuldav töö sõltub seadmete nõuetekohasest hooldusest ja korrapärasest puhastamisest.

▲ HOIATUS: Vigastusohu vähendamiseks lülitage seade enne tarvikute paigaldamist ja eemaldamist, seadistuste reguleerimist või muutmist või remonti tehes välja ja vooluvõrgust lahti. Juhuslik käivitamine võib põhjustada vigastusi.

▲ HOIATUS: Kasutajapoolseks hoolduseks on vaja masin lahti võtta, puhastada ja remontida mõistlikus ja teostatavas vahemikus, ilma et see ohustaks hoolduspersonalit ja teisi. Sobivad ennetusmeetmed hõlmavad saastest puhastamist enne lahtivõtmist, lokaalse filtriteeritud väljatõmbeventilatsiooni tagamist masina lahtivõtmise ajal, puhastus- ja hooldusalasid ning sobivat isikukaitset.

- Tootja või instrueeritud isik peab vähemalt kord aastas läbi viima tehnõulevaatuse, mis koosneb näiteks filtri kahjustuste, masina õhutiheduse ja juhtmehhanismi töökorra kontrollist.
- Kõik saastunud esemed, mida ei saa hooldus- või remonditööde käigus rahuldavalt puhastada, tuleb utiliseerida; sellised esemed tuleb visata veekindla tesse kottidesse vastavalt kehtivatele selliste jäätmete kõrvaldamise eeskirjadele.

FILTER (joonis A, H, I)

FILTRI HOOLDUS

See tolmuimeja on varustatud kauakestva filtriekraaniga. Tolmu retsirkulatsiooni tõhusaks vähendamiseks tuleb filter õigesti paigaldada ja hoida heas seisukorras.

▲ HOIATUS: Filtrite käsitlemisel tuleb kasutada sobivaid isikukaitsevahendeid, nagu tolmutmaskid ja kindad.

Clean Connect™ filtri eemaldamiseks

1. Lülitage sisse/välja lüliti 3 asendisse OFF (O) ja eemaldage juhe pistikupesast.
2. Release lid latches 5 and remove vacuum head 4 from canister. Place vacuum head on a level surface upside down.
3. Pöörake iga filtrit 9 vastupäeva, hoides sellest kinni plastikust otsakattest, nagu näidatud, ja eemaldage ettevaatlikult peast, tagades, et prahit ei satuks paigaldusavasse.

MÄRGE: Olge ettevaatlik, et mitte kahjustada filtri materjali.

4. If the bottom side of the vacuum head 4 needs to be cleaned, use a cloth dampened with water and mild soap and allow it to dry. Dispose the cloth in an appropriate container.
5. Kontrollige filtreid kulumise, rebenemise või muude kahjustuste suhtes.

MÄRGE: Kui tekib kahtlusi filtrielemendi seisukorras, TULEB see välja vahetada. Kui filtrielement on kahjustatud, ärge jätkake selle kasutamist.

▲ HOIATUS: Ärge kasutage filtri puhastamiseks suruõhku ega harju, kuna see võib kahjustada filtri membraani ja lasta tolmul filtrist läbi pääseda. Vajadusel koputage õrnalt kõvale pinnale või loputage toasooja veega ja kuivatage õhu käes. Isegi kui filter on tolmu kaetud, pole filtrit tavaliselt vaja puhastada. Automaatne filtripuhastussüsteem säilitab optimaalse jõudluse ja töötab edasi. Kui filtri membraan on visuaalselt kahjustatud, vahetage filter välja. Filtreid saab tavaliselt kasutada kuus kuni kaksteist kuud, olenevalt kasutusest ja hooldusest.

Clean Connect™ filtri installimiseks

1. Veenduge, et filtri tihend 15 on paigas ja kinnitatud.
2. Joondage filtri keermed 16 vaakumpea keermete imemiseks ja kasutage mõõdukalt jõudu, keerake filtrit päripäeva, kuni see on pingul.

MÄRGE: Kasutage ettevaatlikult, et mitte kahjustada filtri materjali.

3. Asetage tolmuimeja pea 4 tolmupeagile ja kinnitage see, sulgedes kaane riivid 5.

MÄRGE: Eemaldage vahfilter ja asendage see Clean Connect™ filtriga, kui teete kuivkorje.

Vahtfiltri paigaldamiseks

Kuivalt kogumiselt märjaks kogumiseks läheb see puhastusvahend minimaalselt ümber. Väikeste vedelikukoguste imemiseks võib kasutada puhast kassetfilterit. Parimate tulemuste saavutamiseks suurte vedelikukoguste imemisel eemaldage kassetfilter ja kõik ühekordsed või kordvukasutatavad tolmufiltrid. Paigaldage vahtfilter **17**, nagu näidatud **joonisel J**. Vahtfiltri paigaldamine aitab kaitsta mootorit ja minimeerida väljatõmbeõhus tekkida võiva udu või vedeliku tilkumise võimalust kaane ümber.

TOLMUPAAGI TÜHJENDAMISEKS (joonis K)

▲ HOIATUS: Juhuslikust käivitamisest tuleneva vigastusohu vähendamiseks eemaldage enne tolmupaagi tühendamist toitejuhe **6**.

1. Eemaldage märg-/kuivtolmuimeja toitepeakomplekt, tõmmates tolmuimeja mõlemal küljel asuvaid katteklambreid väljapoole. Eemaldage toitepeakomplekt.
2. Valage paagi tolmupaak õigesse jäätmemahutisse.
3. Vedelikud saab tühendada läbi paagi äravooluava **18**. Tühjendamiseks lülitage seade välja ja eemaldage pistik seinakontaktist. Eemaldage äravoolukork ja asetage vedelate jäätmete sisu sobivasse äravoolutorusse. Kui paak on tühi, pange tühjenduskork tagasi algasendisse. Kasutamise jätkamiseks ühendage toitejuhe seinakontakti ja lülitage seade sisse.

TOITERIISTA ÜHENDAMINE (joonis L, M)

1. Veenduge, et juhtlüliti **3** on asendis "Väljas" ja toiteallikas pole ühendatud.
2. Järgmise sammu jaoks on 2 võimalust.
Valik 1: Ühendage tööriist kõigepealt vaakumiga, seejärel ühendage toiteallikas ja lülitage sisse/välja juhtlüliti **3** asendisse ON (I), sel ajal hakkab tolmuimeja tööle. Valik 2: Ühendage tööriist kõigepealt vaakumiga, seejärel ühendage toiteallikas ja lülitage sisse/välja juhtlüliti **3** asendisse ON (II), sel ajal saab elektrilist tööriista hakata kasutama.

▲ HOIATUS: Kasutage väliste elektritööriistade ühendamiseks ainult tolmuimeja pistikupesa. Tolmuimeja avaneb ja sulgub automaatselt ühendatud elektriliste tööriistade kaudu.

Elektritööriista ühendatud koormus ei tohi ületada tolmuimeja pistikupesa maksimaalset ühendatud koormust PA. Järgige ka tolmuimeja pistikupessa ühendatava elektritööriista kasutusjuhendit ja ohutusjuhiseid.

SOOVITUS: Kasutage tolmuimejat alati rikkevooluseadme (RCD) kaudu, mille nimijääkvool on 200 mA või madalam. Enne tööriista ühendamist tolmuimejaga veenduge, et elektrilise tööriista lüliti on asendis "väljas". Pärast tolmuimeja pistikupessa ühendatud elektritööriista väljalülitamist töötab tolmuimeja umbes 15 sekundit ja lülitub seejärel automaatselt välja.

ELEKTRIOHUTUS

1. **Elektritööriistade pistikud peavad sobima pistikupesaga. Ärge kunagi muutke pistikut vmingil isil. Ärge kasutage maandatud (maandatud) elektritööriistadega adapterpistikuid.** Modifitseerimata pistikud ja sobivad pistikupesad vähendavad elektrilöögi ohtu.
2. **Vältige keha kokkupuudet maandatud või maandatud pindadega, nagu torud, radiaatorid, pliivid ja külmikud.** Kui teie keha on maandatud, suureneb elektrilöögi oht.
3. **Ärge jätke elektritööriistu vihma või märgade tingimuste kätte.** Vee sattumine elektritööriista suurendab elektrilöögi ohtu.
4. **Ärge kuritarvitage juhet. Ärge kunagi kasutage toitejuhet elektrilise tööriista kandmiseks, tõmbamiseks või vooluvõrgust eemaldamiseks. Hoidke juhet eemal kuumusest, õlist, teravatest servadest või liikuvatest osadest.** Kahjustatud või takerdunud juhtmed suurendavad elektrilöögi ohtu.
5. **IKui kasutate elektritööriista õues, kasutage välitingimustes kasutamiseks sobivat pikendusjuhet.** Välitingimustes kasutamiseks sobiva juhtme kasutamine vähendab elektrilöögi ohtu.
6. **Kui elektritööriista kasutamine niiskes kohas on vältimatu, kasutage rikkevoolukaitsega (RCD) kaitstud toiteallikat.** RCD kasutamine vähendab elektrilöögi ohtu.
7. Elektrimootorid on ette nähtud ainult ühele pingele. Kontrollige alati, kas toiteallikas vastab andmesildil olevale pingele. Kui toitejuhe on kahjustatud, võib selle välja vahetada ainult DeWALT või volitatud teenindusagentuur.

TOITEPISTIKU VAHETAMINE (AINULT UK JA IIRIMAA)

Kui on vaja paigaldada uus toitejuhe:

- Visake vanad pistikud ohutult ära.
 - Ühendage pruun juhe pistiku pingele all oleva klemmiga.
 - Ühendage sinine juhe nulljuhtmega.
 - Ühendage kollane/roheline juhe maandusklemmiga.
- Töötamiseks järgige kvaliteetse pistikuga kaasasolevaid paigaldusjuhiseid. Soovitav kaitse: 13A.

▲ HOIATUS: Ärge kunagi kasutage valgustipesa. Ärge kunagi ühendage pingestatud (L) või nulljuhtmeid (N) maandustihvtiga, mis on tähistatud E või $\frac{1}{2}$.

PIKENDUSKAABLI KASUTAMINE

Kui vajate pikenduskaablit, kasutage selle tööriista toiteallika jaoks sobivat heakskiidetud 3-soonelist pikenduskaablit (vt Tehnilised andmed). Minimaalne juhtme suurus on 1,5 mm²; maksimaalne pikkus on 30 m. Kaablrulli kasutamisel kerige kaabel alati täielikult lahti.

PUHUMISE FUNKTSIOON (joonis C)

▲ HOIATUS: Kõrvalseisjate vigastamise vältimiseks hoidke neid puhuvast prahist eemal.

Tolmuimejal on puhumisfunktsioon. Sellel on võime saepuru ja muud prahti ära puhuda. Seda saab kasutada garaazidest, terrassidelt ja söiduradadelt tolmuga ja prahi väljapuhumiseks. Palun järgige allolevaid samme, et kasutada vaakumit puhurina.

1. Leidke vaakumil puhumisava.
2. Sisestage vooliku üks ots puhumisavasse.
3. Lülitage tolmuimeja sisse.

SÄILITAMINE (joonis A)

1. Tühjendage tolmupeak, vaadake juhiseid **TÜHJENDA TOLMUPAAK**.
2. Puhastage tolmuimeja seest ja väljast. Vaadake jaotist **PUHASTAMINE**.
3. Puhastage või asendage filtrid, vaadake **FILTER**.
4. Hoidke voolikut ja toitejuhet, nagu näidatud **joonisel A**. Asetage seade kuiva ruumi ja kaitske see volitamata kasutamise eest.

VALIKULISED TARVIKUD

▲ HOIATUS: Kuna muid tarvikuid peale DEWALTI tarnitavate tarvikute ei ole selle tootega koos testitud, võib selliste tarvikute kasutamine koos seadmega kujutada endast ohtu.

Vigastusohu vähendamiseks saab selles tootes kasutada ainult DEWALTI soovitatud tarvikuid.

PUHASTAMINE

Märg-/kuivtolmuimeja parima väljanägemise tagamiseks puhastage väljastpoolt sooja vee ja pehme seebiga niisutatud lapiga.

Paagi puhastamiseks:

1. Visake prah välja.
2. Peske paak põhjalikult sooja vee ja pehme seebiga.
3. Pühkige kuiva lapiga.

VEAOTSING

▲ HOIATUS: Väiksemaid probleeme saab sageli lahendada ilma klienditeenindusse helistamata.

PROBLEEM	LAHENDUS
Mootor ei tööta	Kontrollige toitejuhet, pistikuid ja pistikupesaa. Veenduge, et sisse/välja lüliti oleks asendis ON (I)
Imemisvõime väheneb	Eemaldage pörandoatsiku, pikendustorude, vooliku või filtri ummistused. Vahetage ühekordselt kasutatav tolmukott. Kontrollige filtri õiget paigaldamist. Puhastage või vahetage filter. Tühjendage tolmupeak, vaadake KASUTUSJUHENDI jaotist TÜHJENDA PAAK .
Vaakum lakkab töötamast	Termiline ülekoormus on välja lülitatud: 1. Lülitage tolmuimeja välja ja ühendage tolmuimeja toiteallikast lahti. 2. Vajadusel tühjendage tolmupeak. 3. Laske seadmel jahtuda. 4. Ühendage toitejuhe sobivasse pistikupesasse ja lülitage testimiseks sisse/välja lüliti asendisse ON (I).
Tolmu imemise ajal tuleb välja tolm	Kontrollige filtrite õiget paigaldamist. Veenduge, et filtrid ei oleks kahjustatud; vajadusel asendada. Veenduge, et filtritihendid on paigas ja kindlad. Kontrollige vaakumpea sobivust.

▲ HOIATUS: Kui toitejuhe on kahjustatud, peab selle ohu vältimiseks välja vahetama tootja, tema teenindusagent või sarnase kvalifikatsiooniga isik.

▲ HOIATUS: Seda toodet ei tohiks kasutada patogeenide (nt COVID-19) filtreerimiseks. Järgige kõiki kohalikke, osariigi ja föderaalset juhiseid üldiste puhastustavade kohta.



GAMINIO SPECIFIKACIJOS

Modelis	DXV30SAPTA
Maitinimas	220-240V / 50/60Hz / 1050W
Sandarinio slėgis	15kPa
Mažai oro	37,8L/S
Bako talpa	30L*
Žarna	3Gx1,5mm ² / 3,05m

*Bako talpa reiškia faktinį bako tūrį ir neatspindi talpos, kurią galima naudoti darbo metu.

PAKUOTĖS TURINYS

Pakuotėje yra:

- 1 48 mm x 2,1 m žarna (DXVA19-2558)
 - 2 Prailginimo lazdelės (DXVA19-1202)
 - 1 Siurininimo antgalis (DXVA19-1400)
 - 1 Komunalinių paslaugų antgalis (DXVA19-1300)
 - 1 Grindu antgalis (DXVA19-1900D)
 - 1 Tinklinis priedu krepšys (DXVA19-5158)
 - 1 Vienkartinis dulkiu maišelis (DXVA19-4204)
 - 1 Clean Connect™ Filtras (DXVC4001)
 - 1 putų filtras (DXVA20-1200A)
 - 1 įrankio adapteris (DXVA19-2780)
 - 1 apvalus šepetys (DXVA19-2400)
 - 1 Alkūnė (DXVA19-2800)
 - 1 naudojimo instrukcija
 - 1 Varžtų paketas
 - 4 Ratukai
- Patikrinkite, ar įrankis, dalys ar priedai nebuvo pažeisti transportuojant.
 - Prieš pradėdami eksploatuoti, atidžiai perskaitykite ir supraskite šį vadovą.

APIBRĖŽTYS: SAUGOS GAIRĖS

Toliau pateiktose apibrėžtyse apibūdinamas kiekvieno signalinio žodžio pavojingumo lygis. Perskaitykite vadovą ir atkreipkite dėmesį į šiuos simbolius.

▲ PAVOJUS: Nurodo neišvengiamai pavojingą situaciją, kuri, jei jos nebus išvengta, sukels mirtį arba sunkų sužalojimą.

▲ |SPĖJIMAS: Nurodo potencialiai pavojingą situaciją, kurios neišvengus galima žūti arba sunkiai susižeisti.

▲ DĖMESIO: Žymi potencialiai pavojingą situaciją, kurios neišvengus galima patirti lengvą ar vidutinio sunkumo sužalojimą.

PASTABA: Nurodo su asmens sužalojimu nesusijusią praktiką, kuri, jei jos nebus išvengta, gali sukelti žalą turtui.

SVARBŪS SAUGOS NURODYMAI

▲ |SPĖJIMAS: Naudodami elektrinius prietaisus visada laikykitės pagrindinių saugos procedūrų, kad išvengtumėte gaisro, elektros smūgio ir kūno sužalojimo pavojaus. Šios priemonės apima:

PRIEŠ PRADĖDAMI NAUDOTI PRIETAISĄ, PERSKAITYKITE VISAS INSTRUKCIJAS IR JŲ LAIKYKITĖS.

▲ |SPĖJIMAS: Kad sumažintumėte elektros smūgio pavojų. Nelaikykite lietaus. Laikykite patalpoje.

- Nepalikite prietaiso prijungto prie maitinimo šaltinio. Kai nenaudojate ir prieš atlikdami techninę priežiūrą, ištraukite jį iš elektros lizdo.
- Neleiskite prietaiso naudoti kaip žaislo. Kai priedėliu naudojasi arba šalia jo yra vaiku, būkite atsargūs.
- Naudokite prietaisą TIK taip, kaip aprašyta vadove. Naudokite tik DEWALT siūlomus priedus.
- Nenaudokite prietaiso su pažeistu laidu ar kištuku. Jei prietaisas neveikia tinkamai arba buvo numestas, sulaužytas, paliktas lauke ar panardintas į vandenį, nuneškite jį į techninės priežiūros centrą.
- Netraukite ir neneškite prietaiso už laido, nenaudokite jo kaip rankenos, neuždarykite juo durų ir netraukite juo už aštrių kraštų ar kampų. Neužveskite prietaiso ant laido. Laikykite laidą atokiau nuo šiltų paviršių.
- Neišjunkite prietaiso iš elektros tinklo traukdami už laido. Norėdami atjungti kištuką, paimkite kištuką, o ne laidą.
- Venkite tvarkyti kištuką ar prietaisą drėgnomis rankomis.
- Neįkiškite jokių daiktų į prietaiso angas. Nenaudokite prietaiso, jei kuri nors iš angų yra užsikimšusi; saugokite prietaisą nuo dulkių, pūkelių, plaukų ir bet ko kito, kas gali riboti oro srautą.
- Saugokite plaukus, laisvus drabužius, pirštus ir kitas kūno dalis nuo angų ir judančių dalių.
- Prieš atjungdami prietaisą išjunkite visus valdiklius.
- Valydami laiptines imkitės ypatingų atsargumo priemonių.
- Nenaudokite priedėlio degiems ar degiems skysčiams, pavyzdžiui, benziniui, rinkti arba regionuose, kuriuose jų yra.
- Statiniai smūgiai gali atsirasti sausose vietose arba kai santykinė oro drėgmė yra maža. Tai tik laikinas reiškinys, neturintis įtakos dulkių siurblio naudojimui. Norėdami sumažinti statinių smūgių dažnumą, į orą pridėkite drėgmės per pultelį, drėkintuvą arba žarną (priedama prie kai kurių versijų).
- Kad išvengtumėte savaiminio užsidegimo, po kiekvieno naudojimo išvalykite dulkių baką.

▲ DĖMESIO: Prietaisas neskirtas naudoti asmenims (įskaitant vaikus), kurių fiziniai, jutiminiai ar protiniai įgūdžiai yra riboti arba kuriems trūksta patirties ir žinių, nebent juos prižiūrėtų ar instruktuoju, kaip naudotis prietaisu, už jų saugumą atsakingas asmuo. Vaikus reikia prižiūrėti, kad jie nežaistų su prietaisu.

IŠSAUGOKITE ŠIAS INSTRUKCIJAS PAPILDOMOS SAUGOS TAISYKLĖS

- Venkite liesti viską, kas dega ar rūksta, pavyzdžiui, cigaretes, degtukus ar karštus pelenus.
- Neištraukite degių sprogių medžiagų, pavyzdžiui, anglių, grūdų ar kitų smulkiai susmulkintų degiųjų medžiagų.
- Neištraukite pavojingų, nuodingų ar kancerogeninių daiktų, pavyzdžiui, asbesto ar pesticidų.
- Niekada nedirbkite su sprogiais skysčiais (pvz., benzinu, dyzeliniu kuru, mazutu, dažų skiedikliu), rūgštimis ar tirpikliais.
- Nenaudokite dulkių siurblio be įdėtų filtrų, išskyrus atvejus, aprašytus skyrelyje ŠLAPIAS SURINKIMO PROGRAMAS.
- Kai kurios medienos sudėtyje yra konservantų, kurie gali būti kenksmingi. Dirbdami su šiais produktais, būkite labai atsargūs, kad išvengtumėte įkvėpimo ir sąlyčio su oda. Paprašykite medžiagos šaltinio pateikti augos informaciją ir vadovaukitės ja.
- Nenaudokite dulkių siurblio kaip kopėčių.
- Nestatykite ant dulkių siurblio sunkių daiktų.
- Ilgintuvo laidų dydis turi būti tinkamas saugumui užtikrinti.
- Jei prailgintuvą ketinama naudoti lauke, jis turi būti pažymėtas.

▲ | SPĖJIMAS:

Kad sumažintumėte šių cheminių medžiagų poveikį, dėvėkite patvirtintas saugos priemones, pvz., dulkių kaukes, specialiai sukurtas mikroskopinėms dalelėms filtruoti.

▲ | SPĖJIMAS:

- KAD SUMAŽINTUMĖTE SUSIŽALOJIMO RIZIKĄ, NAUDOTOJAS PRIVALO PERSKAITYTI NAUDOJIMO INSTRUKCIJĄ, NEPALIKITE JUNGTO DULKIŲ SIURBLIO BE PRIEŽIŪROS. NEKELKITE DEGIŲ, DEGIŲ AR KARŠTŲ MEDŽIAGŲ. NENAUDOKITE PRIE SPROGIŲ DULKIŲ, SKYSČIŲ AR GARŲ. ELEKTROS PRIETAISAI SUKURIA ELEKTROS LANKUS ARBA KIBIRKŠTIS, KURIOS GALI SUKELTI GAISRĄ ARBA SPROGIMĄ. NENAUDOKITE DEGALINĖSE ARBA TEN, KUR LAIKOMAS AR IŠPILSTOMAS BENZINAS. NEIŠSIURBKITE TOKSIŠKŲ AR KANCEROGENINIŲ MEDŽIAGŲ ARBA KITŲ SVEIKATAI PAVOJINGŲ MEDŽIAGŲ, PAVYZDŽIUI, ASBESTO AR PESTICIDŲ. VISADA NAUDOKITE TINKAMĄ AKIŲ IR KVĖPAVIMO TAKŲ APSAUGĄ. KAD SUMAŽINTUMĖTE ELEKTROS SMŪGIO PAVOJŲ, NELAIKYKITE SAVĖS PO LIETUMI. PARDUOTUVĖS INDOORS. ATLIKdami TECHNINĘ PRIEŽIŪRĄ, NAUDOKITE TIK IDENTIŠKAS ATSARGINES DALIS. NEGALI BŪTI NAUDOJAMAS KAIP ŽINGSNIO ĮRANKIS.

IŠSAUGOKITE ŠIAS INSTRUKCIJAS NAUDOJIMO INSTRUKCIJOS

IŠPAKAVIMO IR SAŪRANKOS SANTRAUKA

1. Patraukite dangčio užraktus į priekį, kad nuimtumėte maitinimo galvutę ir visus priedus, kurie galėjo būti atsiųsti kartu su bake.
2. Pritvirtinkite tvirtus gumuotus ratukus pagal šiame vadove pateiktus nurodymus.
3. Prieš keisdami maitinimo galvutę, patikrinkite šį vadovą ir įsitinkinkite, kad valymo procedūrai atlikti sumontuoti tinkami filtrai.
4. Uždėkite maitinimo galvutę ir nykščiu spauskite kiekvieną užraktą, kol jis tvirtai užsifiksuos. Įsitinkinkite, kad visi dangčio fiksatoriai yra tinkamai pritvirtinti.
5. Įkiškite žarnos galą į bako įleidimo angą.
6. Prie žarnos galo prijunkite ilginamąsias lazdas. Švelniai spauskite, kol jungtis bus sandari.
7. Prie ilginamųjų lazdelių pritvirtinkite vieną iš valymo priedų (priklausomai nuo jūsų valymo poreikių). Šiek tiek pasukite, kad sujungimas būtų tvirtesnis.
8. Įjunkite laidą į sieninį elektros lizdą. Dulkių siurblys paruoštas naudoti.

▲ | SPĖJIMAS:

Kad sumažintumėte gaisro ar sprogimo pavojų, venkite naudoti šį dulkių siurbį ten, kur ore yra degiųjų dujų, garų ar sprogių dulkių. Degiosios dujos ar garai yra tokie, kaip žiebtuvėlių skystis, valikliai su tirpikliais, aliejiniai dažai, benzinai, alkoholis ir aerosoliniai purškikliai. Anglis, magnis, aliuminis ir grūdų arba šaunamųjų ginklų milteliai yra sprogiųjų dulkių pavyzdžiai, nors jų yra ir daugiau. Venkite siurbti sproglas dulkes, degius ar degius skysčius arba karštus pelenus. Nenaudokite šio dulkių siurblio degiems ar degiems skysčiams purkšti. Kad sumažintumėte pavojų sveikatai dėl dūmų ar dulkių, venkite siurbti kenksmingus daiktus.

Svarbios apsaugos priemonės

Ant gaminio ar pakuotės esanti emblema nurodo, kad jo negalima išmesti kaip buitinių atliekų. Vietoj to jį reikėtų atiduoti į elektros ir elektroninių komponentų perdirbimo įmonę. Užtikrindami, kad gaminyje būtų tinkamai tvarkomas, galite padėti sumažinti žalingą poveikį aplinkai ir sveikatai, kuris gali atsirasti, jei jis bus išmestas kaip bendrosios atliekos. Daugiau informacijos apie perdirbimą galite gauti iš vietos valdžios institucijų, šiukšlių surinkimo tarnybos arba parduotuvės, kurioje įsigijote prekes.

APLINKOS APSAUGA



Atskiras surinkimas. Šia emblema pažymėtų gaminių ir baterijų negalima išmesti kartu su įprastomis buitinėmis šiukšlėmis.

Gaminuose ir akumulatoriuose yra perdirbamų medžiagų, todėl mažėja žaliavų poreikis. Išmeskite elektros prietaisus ir baterijas laikydamiesi vietinių taisyklių. Daugiau informacijos galima rasti adresu www.2helpU.com.

APRAŠYMAS (Paveikslas A)

▲ | SPĖJIMAS: Niekada nemodifikuokite elektros prietaiso ar bet kurios jo dalies. Gali būti padaryta žala arba sužaloti žmonės.

- 1 Tvirta rankena / virvės apvyniojimas
- 2 Maitinimo laidas
- 3 Įjungimo / išjungimo jungiklis
- 4 Dulkių siurblio galvutė
- 5 Dangčio užraktai
- 6 Dulkių bakas
- 7 Žarna
- 8 Ratukai
- 9 Clean Connect™ Filtras
- 10 Dulkių siurblio prievadas
- 11 Žarnos dirželis
- 12 Vienkartinis dulkių maišelis

MONTAŽAS IR REGULIAVIMAS (Paveikslas A-C)

▲ | SPĖJIMAS: Kad išvengtumėte pa eidimų pavojaus, prieš montuodami ir išimdami priedus, reguliuodami ar keisdami konfigūracijas arba atlikdami remonto darbus, išjunkite prietaisą ir atjunkite jį nuo maitinimo šaltinio. Atsiktiktinis įjungimas gali sužaloti.

▲ | SPĖJIMAS: TSiurbimo metu filtras 9 visada turi būti vietoje, išskyrus atvejus, aprašytus skyriuje ŠLAPIAS SURINKIMO PROGRAMAS, skyriuje VEIKSMAI. Siurbiant smulkias dulkes gali prireikti naudoti vienkartinį dulkių maišelį, kad būtų lengviau ištuštinti dulkių baką.

1. Sumontuokite vienkartinį dulkių maišelį 12, kaip parodyta B paveikslėlyje.
PASTABA: Būkite atsargūs, kad maišelis nebūtų suplėšytas. Maišelį tvirtai uždėkite ant dulkių siurblio angos 10, kad jis būtų sandarus ir užtikrintų maksimalų dulkių surinkimo našumą.
2. Uždėkite dulkių siurblio galvutę 4 ant dulkių bako ir pritvirtinkite ją uždarydami dangčio fiksatorius 5.
3. Įkiškite žarnos 7 galą į užspaudžiamąjį dulkių siurblio žarnos angą 10 ir priveržkite žarnos galą prie bako.

OPERACIJA

NAUDOJIMO INSTRUKCIJOS (Paveikslas A, D, E)

▲ | SPĖJIMAS: Visada laikykitės saugos instrukcijų ir galiojančių taisyklių.

1. Įjunkite maitinimo laidą į tinkamą elektros lizdą.
2. Pasukite įjungimo/išjungimo jungiklį 3 į padėtį JUNGTA (I).

3. DeWALT statybinių dulkių siurblys turi DeWALT prijungimo sistemą. Jis leidžia greitai ir patikimai sujungti žarną 7 ir elektrinį įrankį. Jungtis 13 jungiama tiesiogiai su DeWALT suderinamais įrankiais arba naudojant adapterį (galima įsigyti iš vietinio DeWALT tiekėjo). Jei reikia sumontuoti adapterius, žr. E paveikslą.

PASTABA: Jei naudojate adapterį, prieš atlikdami toliau nurodytus veiksmus įsitikinkite, kad jis tvirtai pritvirtintas prie įrankio lizdo.

NAUDOJIMO INSTRUKCIJOS

KASTERIO ĮRENGIMAS (Paveikslas A, F)

1. Apverskite dulkių baką ir sumontuokite ratukus į dulkių talpyklos dugną bei pritvirtinkite juos varžtais.
2. Grįžkite dulkių baką mazgą į vertikalią padėtį.

IŠIMKITE / PAKEISKITE NAUDOJAMĄ NURODYTĄ DULKIŲ MAIŠELĮ (Paveikslas A)

▲ | SPĖJIMAS: Dirbdami su panaudotais dulkių maišais dėvėkite tinkamas asmenines apsaugos priemones, pavyzdžiui, dulkių kaukę ir pirštines.

1. Išjunkite dulkių siurblių ir atjunkite laidą nuo lizdo.
2. Atlaisvinkite dangčio fiksatorius 5 ir nuimkite dulkių siurblio galvutę 4.
3. Atsargiai ištraukite vienkartinį dulkių maišelį 12 iš dulkių siurblio angos 10.
4. Išimdami vienkartinį dulkių maišelį 12 sandariai užsandarinkite jo angą.
5. Vienkartinį dulkių maišelį 12 išmeskite į atitinkamą konteinerį pagal teisės aktų nuostatas.

ŠLAPIAS SURINKIMO PROGRAMAS (Paveikslas A, G)

▲ | SPĖJIMAS: Jei iš mašinos išbėga putų ar skysčio, nedelsdami ją išjunkite.

▲ | SPĖJIMAS: Nenaudokite mašinos su šia komplektacija L klasės dulkėms.

Rutulinė plūdė 14 užblokuos oro patekimą į variklį, kai dulkių bakas bus pilna, ir variklio garsas iš karto pasikeis.

Kai variklis skleidžia aukštą garsą ir oro/vandens srautas sustoja, ištuštinkite dulkių baką.

1. Išjunkite dulkių siurblių ir atjunkite laidą nuo lizdo.
2. Atlaisvinkite dangčio fiksatorius 5 ir nuimkite dulkių siurblio galvutę 4.
3. Ištuštinkite dulkių baką 6 turinį į tinkamą talpyklą arba kanalizaciją.

▲ DĖMESIO: Reguliariai valykite vandens lygio ribotuvą ir apžiūrėkite, ar nėra pažeidimo požymių.

r. G paveikslą.

PASTABA: NEDELSIANT nuimti rutulinės plūdės 14, tai gali sugadinti dulkių siurblių. Rutulinė plūdė neleidžia vandeniui patekti į variklį.

Prieš naudodami dulkių siurblių drėgnam surinkimui:

- Įsitikinkite, kad dulkių bakas yra tuščia ir joje nėra dulkių pertekliaus.
- Išimkite filtrą 9.

PERSPĖJIMAS atgal į sauso oro siurblio veikimą (Paveikslas A)

1. Ištuštinkite dulkių baką, žr. nurodymus, kaip **IŠTUŠTINTI DULKIŲ BAKĄ**.
2. Dulkių baką padėkite aukštyn kojomis, kol išdžius. **NENAUDOKITE** drėgnų dulkių bako sausam surinkimui.
3. Dulkių dulkių siurblio galvutę **4** pastatykite ant lygaus paviršiaus, prietaisas sausas.
4. Kai dulkių siurblio galvutė išdžiūsta, vėl sumontuokite filtrus. Žr. dalį Filtrai, esančią skyriuje Priežiūra.
5. Kai dulkių baką išdžiūsta, uždėkite dulkių siurblio galvutę **4** ant dulkių talpyklos ir pritvirtinkite ją uždarydami dangčio fiksatorius **5**.

IŠJUNGIMAS / TRANSPORTAS (Paveikslas A)

1. Pasukite įjungimo / išjungimo jungiklį **3** į padėtį IŠJUNGTA.
2. Atjunkite įrenginį nuo elektros tinklo.
3. Laikykite maitinimo laidą **2** apvyniodami jį aplink tvirtą rankeną / laidą apvyniodami **1**, kaip parodyta paveikslėlyje.
4. Veždami transporto priemonėmis, mašiną pritvirtinkite.

PRIEŽIŪRA

DEWALT prietaisas sukurtas taip, kad veiktų ilgą laiką, o jo priežiūra būtų minimali. Norint užtikrinti nuolatinį patenkinamą prietaiso veikimą, reikia tinkamai jį prižiūrėti ir reguliariai valyti.

▲ |SPĖJIMAS: Kad išvengtumėte pažeidimų pavojaus, prieš montuodami ir išimdami priedus, reguliuodami ar keisdami konfigūracijas arba atlikdami remonto darbus, išjunkite prietaisą ir atjunkite jį nuo maitinimo šaltinio. Atsitiktinis įjungimas gali sužaloti.

▲ |SPĖJIMAS: Mašina turi būti nuimama, valoma ir prižiūrima tiek, kiek tai praktiškai įmanoma, nesukeliant pavojaus techninės priežiūros darbuotojams ar kitiems asmenims. Tinkamos priemonės yra dezinfekcija prieš išmontavimą, vietinė filtruota ištraukiamoji ventilacija, kai mašina išmontuojama, remonto vietos valymas ir tinkamos asmeninės apsaugos priemonės.

- Gamintojas arba įgaliotasis asmuo bent kartą per metus turi atlikti techninę apžiūrą, kurios metu gali būti tikrinama, ar nepažeistas filtras, ar mašina sandari ir ar tinkamai veikia valdymo mechanizmas.
- Atliekant aptarnavimo ar remonto darbus, visos užterštos medžiagos, kurių negalima kruopščiai išvalyti, turi būti išmetamos neperšlampamuose maišuose, laikantis visų galiojančių taisyklių, reglamen tuojančių tokių šiukšlių šalinimą.

FILTRAS (Paveikslas A, H, I) FILTRŲ PRIEŽIŪRA

Su šiuo dulkių siurbliu pateikiami ilgaamžiai filtrai. Kad dulkių recirkuliacija būtų veiksminga, filtrai TURI būti tinkamai sumontuoti ir geros būklės.

▲ |SPĖJIMAS: Dirbant su filtrais, reikia naudoti tinkamas asmenines apsaugos priemones, pavyzdžiui, dulkių kaukę ir pirštines.

Kaip išimti Clean Connect™ filtrą

1. Pasukite įjungimo / išjungimo jungiklį **3** į padėtį IŠJUNGTA (O) ir atjunkite laidą nuo elektros lizdo.
2. Atlaisvinkite dangčio užraktus **5** ir nuimkite dulkių siurblio galvutę **4** nuo kanistro. Padėkite dulkių siurblio galvutę ant lygaus paviršiaus aukštyn kojomis.
3. Pasukite kiekvieną filtrą **9** prieš laikrodžio rodyklę, suimdami jį už plastikinio galinio dangtelio, kaip parodyta paveikslėlyje, ir atsargiai nuimkite nuo galvutės, saugodami, kad šiukšlės nepatektų į montavimo angą.

PASTABA: Būkite atsargūs, kad nepažeistumėte filtro medžiagos.

4. Jei reikia išvalyti apatinę dulkių dulkių siurblio galvutės **4** pusę, naudokite šluostę, sudrėkintą vandeniu ir švelniu muilu, ir leiskite jai išdžiūti. Šluostę išmeskite į tinkamą konteinerį.
5. Patikrinkite, ar filtrai nenusidėvėję, nesuplyšę ar kitaip nepažeisti.

PASTABA: Jei kyla abejonų dėl filtrų būklės, juos PRIVALOMA pakeisti. **NENAUDOKITE** toliau, jei filtrai yra pažeisti.

▲ |SPĖJIMAS: Niekada nevalykite filtrų suslėgtu oru arba šepetėliu, nes tai pažeis filtro membraną ir pro ją pateks dulkės. Jei reikia, lengvai stuktelėkite į kieta paviršių arba nuplaukite kambario temperatūros vandeniu ir išdžiovinkite ore. Filtrų paprastai nereikia valyti, net jei jie yra dulketi. Automatinė filtro valymo sistema išlaikys didžiausią našumą ir veiks toliau. Jei filtro membranos pažeidimai matomi, pakeiskite filtrus. Filtrai paprastai tarnauja nuo šešių iki dvylikos mėnesių, priklausomai nuo naudojimo ir priežiūros.

Kaip sumontuoti Clean Connect™ filtrą

1. Įsitinkinkite, kad filtro sandariklis **15** yra savo vietoje ir yra patikimai pritvirtintas.
2. Sulygiuokite filtro sriegius **16** su dulkių siurblio galvutės sriegiais ir nedidele jėga sukite filtrą pagal laikrodžio rodyklę, kol jis bus sandarus.

PASTABA: Naudokite atsargiai, kad nepažeistumėte filtro medžiagos.

3. Uždėkite dulkių siurblio galvutę **4** ant dulkių baką ir pritvirtinkite ją uždarydami dangčio fiksatorius **5**.

PASTABA: Išimkite putų filtrą ir pakeiskite jį Clean Connect™ filtru, kai atliekate sausą surinkimą.

Putų filtro montavimas

TPereinant nuo sauso prie šlapio surinkimo, šį valiklį reikia tik šiek tiek pakoreguoti. Švariu kasetiniu filtru galima siurbti nedidelius skysčio kiekius. Siurbiant didelį kiekį skysčio, būtina išimti kasetinį filtrą ir visus vienkartinius ar daugkartinius dulkių filtrus. Sumontuokite putų filtrą **17**, kaip parodyta **J paveikslėlyje**. Putų filtro montavimas padės apsaugoti variklį ir sumažins rūko, kuris gali atsirasti ištraukiamajame ore, arba skysčio lašėjimo aplink dangtį galimybę.

IŠTUŠTINTI DULKIŲ BAKĄ (Paveikslas K)

▲ |SPĖJIMAS: Kad sumažintumėte susižalojimo riziką dėl atsitiktinio paleidimo, prieš ištuštinami dulkių baką **6**, atjunkite maitinimo laidą.

1. Nuimkite drėgno / sauso dulkių siurblio galvutės agregatą traukdami į išorę dangčio spauštukus, esančius abiejose dulkių siurblio pusėse. Nukelkite maitinimo galvutės mazgą.
2. Išpilkite bako dulkių baką į tinkamą atliekų šalinimo konteinerį.
3. Skysčius galima išpilti per bako išleidimo angą **18**. Norėdami ištuštinti, išjunkite prietaisą ir ištraukite kištuką iš elektros lizdo. Nuimkite išleidimo dangtelį ir išpilkite skystas atliekas į tinkamą kanalizaciją. Kai bakas ištuštės, gražinkite išleidimo dangtį į pradinę padėtį. Norėdami toliau naudoti prietaisą, įjunkite laidą į sieninį elektros lizdą ir įjunkite jį.

MAITINIMO ĮRANKIO PRIETAISYMAS (Paveikslas L, M)

1. Įsitikinkite, kad valdymo jungiklis **3** yra padėtyje "Išjungta" ir maitinimo šaltinis neprijungtas.
2. Yra 2 kito žingsnio variantai.
1 variantas: Pirmiausia prijunkite įrankį prie dulkių siurblio, tada prijunkite maitinimo šaltinį ir pasukite įjungimo / išjungimo valdymo jungiklį **3** į padėtį I JUNGTA (I), tuo metu dulkių siurblys pradės veikti.
2 variantas: Pirmiausia prijunkite įrankį prie dulkių siurblio, tada prijunkite maitinimo šaltinį ir pasukite įjungimo / išjungimo valdymo jungiklį **3** į padėtį I JUNGTA (II), šiuo metu elektrinis įrankis gali pradėti veikti.

▲ |SPĖJIMAS: Dulkių siurblio kištukinį lizdą naudokite tik išoriniam elektriniam įrankiui prijungti. Dulkių siurblys įjungiamas ir išjungiamas automatiškai naudojant susijusį elektrinį įrankį.

Prijungta elektrinio įrankio apkrova neturi viršyti maksimalios prijungtos dulkių siurblio kištukinio lizdo apkrovos PA. Taip pat laikykites elektrinio įrankio, prijungto prie dulkių siurblio kištukinio lizdo, naudojimo instrukcijų ir saugos įspėjimų.

REKOMENDACIJA: Dulkių siurbliū visuomet naudokite per srovės stiprią ribotuvą (RCD), kurio vardinė liekamoji srovė ne didesnė kaip 200 mA.

Prieš prijungdami įrankį prie dulkių siurblio įsitikinkite, kad elektrinio įrankio jungiklis yra "Išjungta" padėtyje. Išjungus

elektrinį įrankį, prijungtą prie dulkių siurblio kištukinio lizdo, dulkių siurblys veiks maždaug 15 sekundžių ir automatiškai išsijungs.

ELEKTROS SAUGA

1. **Elektrinių įrankių kištukai turi atitikti kištukinį lizdą. Niekada niekaip nemodifikuokite kištuko. Nenaudokite jokių adapterio kištukų su į emintais (į emintais) elektriniais įrankiais.** Nemodifikuoti kištukai ir suderinti lizdai riboja elektros smūgio pavojų.
2. **Venkite tiesioginio sąlyčio su į emintais arba į emintais paviršiais, pvz., vamzdžiais, radiatoriais, viryklėmis ir šaldytuvais.** Jei į emintais su k ū nas yra įžemintas arba įžemintas, yra didesnė tikimybė patirti elektros smūgį.
3. **Venkite, kad elektriniai įrankiai būtų veikiami lietaus ar drėgmės.** Į elektrinį įrankį patekęs vanduo padidina elektros smūgio tikimybę.
4. **Nepiknaudaukite laido.** Niekada nenaudokite laido elektros įrankiui judinti, traukti ar atjungti. Laikykite laidą atokiau nuo karščio, riebalų, aštrių briaunų ir judančių dalių. Pažeisti arba susipynę laidai kelia elektros smūgio pavojų.
5. **Jei elektrinį įrankį naudojate lauke, naudokite prailgintuvą, skirtą naudoti lauke.** Naudojant laido, skirtą naudoti lauke, laidą, sumažėja elektros smūgio pavojus.
6. **Jei elektrinio įrankio naudojimas drėgnoje aplinkoje yra neišvengiamas, naudokite maitinimo šaltinį, apsaugotą nuo liekamosios srovės įtaiso (RCD).** Naudojant RCD sumažėja elektros smūgio pavojus.
7. Elektros variklis buvo sukurtas tik vienai įtampai. Visada patikrinkite, ar maitinimo šaltinis atitinka vardinėje plokštelėje nurodytą įtampą. Jei maitinimo laidas pažeistas, jį gali pakeisti tik DEWALT arba įgaliota aptarnavimo organizacija.

TINKLO KIŠTUKO KEITIMAS (TIK JUNGTINĖJE KARALYSTĖJE IR AIRIJOJE)

Jei reikia įdėti naują elektros tinklo kištuką:

- Saugiai išmeskite seną kištuką.
 - Rudąjį laidą prijunkite prie kištuko maitinimo gnybto.
 - Mėlynąjį laidą prijunkite prie nulinio gnybto.
 - Geltonąžalią laidą prijunkite prie žemimo gnybto.
- Vadovaukitės montavimo instrukcijomis, pateikiamomis kartu su geros kokybės kištukais. Rekomenduojamas saugiklis: 13A.

▲ |SPĖJIMAS: Niekada nenaudokite šviesos lizdo. Niekada neprijunkite žemimo (L) arba nulinio (N) laidų prie žemimo kaitščio, pažymėto E arba ⊥.

NAUDOJANT ILGINTUVĄ

Jei reikalingas ilgintuvas, naudokite patvirtintą 3 gyslų ilgintuvą, tinkamą šio įrankio maitinimo įvadui (žr. techninius duomenis). Mažiausias laidininko dydis - 1,5 mm²; didžiausias ilgis yra 30 m.

Naudodami kabelio ritę, visada visiškai išvyniokite kabelį.

PŪDYMO FUNKCIJA (Paveikslas C)

▲ ĮSPĖJIMAS: Kad nesusižeistų pašaliniai asmenys, saugokite juos nuo pučiamų nuolaužų. Dulkių siurblyje yra pūtimo funkcija. Juo galima pūsti pjūvenas ir kitas šiukšles. Juo galima pašalinti dulkes ir šiukšles nuo garažų, kiemų ir privažiavimų. Norėdami naudoti dulkių siurbį kaip pūstuvą, atlikite toliau nurodytus veiksmus.

1. Suraskite dulkių siurblio pūtimo angą.
2. Vieną žarnos galą įkiškite į pūtimo angą.
3. Įjunkite dulkių siurbį.

LAIKYMAS (Paveikslas A)

1. Ištuštinkite dulkių rezervuarą, žr. nurodymus, kaip **IŠTUŠTINTI DULKIŲ BAKĄ**.
2. Išvalykite dulkių siurbį iš vidaus ir išorės. Žr. skyrių **VALYMAS**.
3. Išvalykite arba pakeiskite filtrus, žr. skyrių **FILTRAS**.
4. Laikykite žarną ir maitinimo laidą, kaip parodyta **A paveikslėlyje**. Pastatykite prietaisą sausoje patalpoje ir apsaugokite jį nuo neteisėto naudojimo.

PAPILDOMI PRIEDAI

▲ ĮSPĖJIMAS: Kiti priedai, išskyrus DeWALT pateiktus priedus, nebuvo išbandyti su šiuo gaminiu, todėl jų naudojimas su prietaisu gali būti kenksmingas. Kad išvengtumėte susižalojimo pavojaus, su šiuo gaminiu naudokite tik DeWALT rekomenduojamus priedus.

VALYMAS

Kad drėgnas / sausas dulkių siurblys atrodytų kuo geriau, valykite jo išorę šluoste, sudrėkinta šiltu vandeniu ir švelniu muilu.

Bako valymas:

1. Išmeskite šiukšles.
2. Kruopščiai nuplaukite baką šiltu vandeniu ir švelniu muilu.
3. Nuvalykite sausu skudurėliu.

TRIKČIŲ ŠALINIMAS

▲ ĮSPĖJIMAS:

Nedidelės problemos dažnai galima išspręsti nesikreipiant į klientų aptarnavimo tarnybą.

PROBLEMA	SPRENDIMAS
Variklis neveikia	Patikrinkite maitinimo laidą, kištukus ir kištukinį lizdą. Įsitinkinkite, kad įjungimo / išjungimo jungiklis yra padėtyje ĮJUNGTA (I)
Sumažėja siurbimo pajėgumas	Pašalinkite užsikimšimus grindų antgalyje, prailgintuvuose, žarnoje arba filtre. Pakeiskite vienkartinį dulkių maišelį. Patikrinkite, ar tinkamai sumontuotas filtras. Išvalykite arba pakeiskite filtrą. Ištuštinkite dulkių talpyklą, žr. skyrių IŠTUŠTINKITE BAKĄ dalyje EKSPLOATAVIMO INSTRUKCIJOS .
Dulkių siurblys nustoja veikti	Suveikė šiluminė perkrova: 1. Išjunkite dulkių siurbį ir atjunkite jį nuo maitinimo šaltinio. 2. Jei reikia, ištuštinkite dulkių baką. 3. Leiskite įrenginiui atvėsti. 4. Norėdami išbandyti, įjunkite maitinimo laidą į tinkamą elektros lizdą ir įjungimo / išjungimo jungiklį pasukite į padėtį ĮJUNGTA (I).
Siurbiant iškyla dulkės	Patikrinkite, ar tinkamai sumontuoti filtrai. Įsitinkinkite, kad filtrai nepažeisti; jei reikia, pakeiskite juos. Įsitinkinkite, kad filtro sandarikliai yra savo vietose ir yra patikimi. Patikrinkite, ar tinka dulkių siurblio galvutė.

▲ ĮSPĖJIMAS: Kad būtų išvengta pavojaus, maitinimo laidą turi pakeisti gamintojas, jo serviso atstovas arba asmuo, turintis panašią kvalifikaciją.

▲ ĮSPĖJIMAS: Šio gaminio NEGALIMA naudoti patogenams, pavyzdžiui, COVID-19, filtruoti. Laikykites visų vietinių, valstybinių ir federalinių rekomendacijų dėl bendrosios valymo praktikos.



SPECIFIKACIJE PROIZVODA

Model	DXV30SAPTA
Napon	220-240V / 50/60Hz / 1050W
Pritisak brtve	15kPa
Protok vazduha	37,8L/S
Kapacitet rezervoara	30L*
Crevo	48mm x 2,1m
Napojni kabl	3Gx1,5mm ² / 3,05m

*Kapacitet rezervoara odnosi se na stvarni volumen rezervoara i ne odražava kapacitet dostupan tokom rada.

SADRŽAJ PAKOVANJA

Paket sadrži:

- 1 48mm x 2,1m Crevo (DXVA19-2558)
- 2 Produžni štapovi (DXVA19-1202)
- 1 Uska mlaznica (DXVA19-1400)
- 1 Svestrana mlaznica (DXVA19-1300)
- 1 Podna mlaznica (DXVA19-1900D)
- 1 Mrežasta torba za pribor (DXVA19-5158)
- 1 Jednokratnih kesa za prašinu (DXVA19-4204)
- 1 Clean Connect™ Filter (DXVC4001)
- 1 Sunderasti filter (DXVA20-1200A)
- 1 Adapter za alat (DXVA19-2780)
- 1 Okružna četka (DXVA19-2400)
- 1 Lakat (DXVA19-2800)
- 1 Uputstvo za upotrebu
- 1 Paket vijaka
- 4 Kastera

- Proverite da li je alat, delovi ili dodaci oštećeni tokom transporta.
- Odvojite vreme da pažljivo pročitate i razumete ovaj priručnik pre nego što počnete sa radom.

DEFINICIJE: BEZBEDOSNE SMERNICE

Definicije u nastavku opisuju nivo ozbiljnosti za svaku signalnu reč. Molimo vas da pročitate priručnik i obratite pažnju na ove simbole.

▲ OPASNOST: Označava neposrednu opasnu situaciju koja, ako se ne izbegne, može dovesti do smrti ili ozbiljnih povreda.

▲ UPOZORENJE: Označava potencijalno opasnu situaciju koja, ako se ne izbegne, može dovesti do smrti ili ozbiljnih povreda.

▲ PAŽNJA: Označava potencijalno opasnu situaciju koja, ako se ne izbegne, može dovesti do manjih ili umerenih povreda.

OBAVEŠTENJE: Označava praksu koja nije povezana sa povredama ljudi, ali koja, ako se ne izbegne, može dovesti do oštećenja imovine.

VAŽNE BEZBEDOSNE UPUTSTVA

▲ UPOZORENJE: Prilikom korišćenja električnih uređaja, uvek se pridržavajte osnovnih bezbednosnih mera kako biste smanjili rizik od požara, električnog udara i ličnih povreda, uključujući sledeće.

PRE UPOTREBE OVE URE AJA, PROČITAJTE I PRIDR AVAJTE SE SVIH UPUTSTAVA.

▲ UPOZORENJE: Da biste smanjili rizik od električnog udara. Nemojte izlagati kiši. Čuvajte na unutrašnjim prostorima.

- Nemojte ostavljati uređaj kada je povezan sa izvorom napajanja. Isključite ga iz utičnice kada se ne koristi i pre servisiranja.
 - Nemojte dozvoliti da se uređaj koristi kao igračka. Obratite posebnu pažnju kada uređaj koristi neko dete ili se nalazi u njegovoj blizini.
 - Koristite ovaj uređaj SAMO kako je opisano u priručniku. Koristite samo DEWALT preporučene dodatke.
 - Nemojte koristiti ovaj uređaj sa oštećenim kablom ili utikačem. Ako uređaj ne radi ispravno, ili je pao, oštećen, ostavljen napolu ili pao u vodu, vratite ga u servisni centar.
 - Nemojte vući ili nositi uređaj za kabl, koristiti kabl kao ručku, zatvoriti vrata na kabl, ili vući kabl oko oštih ivica ili uglova. Nemojte prelaziti uređajem preko kabla. Držite kabl daleko od zagrejanih površina.
 - Nemojte isključivati uređaj povlačenjem za kabl. Da biste isključili, držite utikač, a ne kabl.
 - Nemojte rukovati utikačem ili uređajem sa vlažnim rukama.
 - Nemojte stavljati nikakve predmete u otvore uređaja. Nemojte koristiti uređaj sa blokiranim otvorima; držite ih čistim od prašine, dlaka, dlačica i svega što može smanjiti protok vazduha.
 - Držite kosu, labavu odeću, prste i sve delove tela daleko od otvora i pokretnih delova.
 - Isključite sve kontrole pre nego što isključite uređaj iz struje.
 - Budite posebno pažljivi prilikom čišćenja na stepenicama.
 - Nemojte koristiti uređaj za usisavanje zapaljivih ili lako zapaljivih tečnosti, kao što su benzin, niti u područjima gde su prisutni zapaljivi ili lako zapaljivi gasovi ili tečnosti.
 - U suvim područjima ili kada je relativna vlažnost vazduha niska, može doći do statičkog pražnjenja. Ovo je privremeno i ne utiče na upotrebu usisivača. Da biste smanjili učestalost statičkog pražnjenja, dodajte vlagu u vazduh korišćenjem konzole, ugrađenog ovlaživača ili koristite crevo (standardno na nekim modelima).
 - Da biste izbegli spontano sagorevanje, praznite rezervoar za prašinu nakon svake upotrebe.
- ▲ PAŽNJA:** Ovaj uređaj nije namenjen za upotrebu od strane osoba (uključujući decu) sa smanjenim fizičkim, čulnim ili mentalnim sposobnostima, ili bez iskustva i znanja, osim ako nisu pod nadzorom ili uputstvima osobe odgovorne za njihovu sigurnost. Decu treba nadgledati kako bi se obezbedilo da se ne igraju sa uređajem.

**SAČUVAJTE OVA UPUTSTVA
DODATNA BEZBEDNOSNA PRAVILA**

- Nemojte usisavati bilo šta što je u plamenu ili dimi, kao što su cigarete, šibice ili vrući pepeo.
- Nemojte koristiti za duvanje zapaljivih eksplozivnih materijala, kao što su ugali, žito ili drugi sitno podeljeni zapaljivi materijali.
- Nemojte koristiti za duvanje opasnih, toksičnih ili kancerogenih materijala, kao što su azbest ili pesticidi.
- Nikada ne podižite eksplozivne tečnosti (npr. benzin, dizel gorivo, grejna ulja, razređivače boja itd.), kiseline ili rastvarače.
- Nemojte koristiti usisivač bez filtera, osim kako je opisano u odeljku za **APLIKACIJE ZA VLA NO USISAVANJE**.
- Neki drvo sadrži konzervanse koji mogu biti otrovni. Budite posebno pažljivi da sprečite inhalaciju i kontakt sa kožom prilikom rada sa ovim materijalima. Zatražite i pridržavajte se svih bezbednosnih informacija dostupnih od dobavljača materijala.
- Nemojte koristiti usisivač kao stepenice.
- Nemojte postavljati teške predmete na usisivač.
- Produžni kabl mora imati odgovarajuću debljinu žice radi bezbednosti.
- Ako se koristi produžni kabl na otvorenom, on mora biti označen.

▲ UPOZORENJE:

Da biste smanjili izloženost hemikalijama, nosite odobrenu zaštitnu opremu kao što su praškaste maske koje su posebno dizajnirane da filterišu mikroskopske čestice.

▲ UPOZORENJE:

- **DA BI SE SMANJIO RIZIK OD POVREDA, KORISNIK MORA PROČITATI UPUTSTVO ZA UPOTREBU. NE OSTAVLJAJTE USISIVAČ BEZ NADZORA KADA JE UKLJUČEN. NE USISAVAJTE ZAPALJIVE, LAKO ZAPALJIVE ILI VRELE MATERIJALE. NE KORISTITE U BLIZINI EKSPLOZIVNE PRAŠINE, TEČNOSTI ILI PARI. ELEKTRIČNI UREDAJI PRAVI ISKRE I/ILI VARNIČENJE KOJI MOGU IZAZVATI POŽAR ILI EKSPLOZIJU. NE KORISTITE NA PUNIONICAMA GORIVA ILI GDE SE ČUVA ILI DISPENZUJEMO BENZIN. NE USISAVAJTE TOKSIČNE ILI KANCEROGENE MATERIJALE ILI DRUGE MATERIJALE KOJI UGROŽAVAJU ZDRAVLJE, KAO ŠTO SU AZBEST ILI PESTICIDI. ALWAYS USE PROPER EYE AND RESPIRATORY PROTECTION UVEK KORISTITE ADEKVATNU OČNU I RESPIRATORNU ZAŠTITU. DA BI SE SMANJIO RIZIK OD ELEKTRIČNOG UDARA, NE IZLOŽITI KIŠI. ČUVAJTE NA UNUTRAŠNIM PROSTORIMA. KADA VRŠITE SERVIS, KORISTITE SAMO IDENTIČNE ZAMENSKJE DELOVE. NE KORISTITI KAO STEPENICE.**

**SAČUVAJTE OVA UPUTSTVA
UPUTSTVA ZA RAD**

SAŽETAK RASPAKIVANJA & PODEŠAVANJA:

1. Povucite latch-ove poklopca prema spolja, uklonite glavu motora i neke od dodataka koji su možda bili poslati u rezervoaru.
2. Priključite kastere sa gumiranom zaštitom prema uputstvima u ovom priručniku.
3. Pre nego što zamenite glavu motora, pogledajte ovaj priručnik da biste osigurali da su pravilno instalirani filteri za radnu operaciju čišćenja.
4. Zamenite glavu motora i primenite pritisak palcem na svaki preklopnik dok ne klikne čvrsto na mesto. Uverite se da su svi latch-evi poklopca sigurno pričvršćeni.
5. Umetnite kraj creva u ulaznu rupu rezervoara.
6. Priključite produžne štapove na kraj creva. Primeni malo pritiska dok se priključak ne stegne.
7. Priključite jedan od dodataka za čišćenje (u zavisnosti od potreba za čišćenjem) na produžne štapove. Blago okrenite da biste zategli vezu.
8. Priključite kabl u zidnu utičnicu. Usisivač je spreman za upotrebu.

▲ UPOZORENJE:

Da biste smanjili rizik od požara ili eksplozije, nemojte koristiti ovaj usisivač u područjima sa zapaljivim gasovima, parama ili eksplozivnom prašinom u vazduhu. Zapaljivi gasovi ili pare uključuju, ali nisu ograničeni na: tečnost za upaljače, sredstva za čišćenje na bazi rastvarača, boje na bazi ulja, benzin, alkohol ili aerosol sprejeve. Eksplozivna prašina uključuje, ali nije ograničena na: ugali, magnezijum, aluminijum, žito ili barut. Nemojte usisavati eksplozivnu prašinu, zapaljive ili lako zapaljive tečnosti ili vrući pepeo. Nemojte koristiti ovaj usisivač kao prskalicu za bilo koju zapaljivu ili lako zapaljivu tečnost. Da biste smanjili rizik od zdravstvenih opasnosti od para ili prašine, nemojte usisavati toksične materijale..

VA NE SIGURNOSNE MERE

Simbol na proizvodu ili pakovanju označava da proizvod ne sme biti tretiran kao domaći otpad. Umesto toga, treba ga predati na tačku za prikupljanje električnih i elektronskih komponenti za reciklažu. Osiguravanjem da proizvod bude tretiran na pravi način, pomoći ćete u sprečavanju negativnog uticaja na okolinu i zdravlje koji može nastati ako proizvod bude bačen kao obični otpad. Za dodatne informacije o reciklaži, treba da se obratite lokalnim vlastima, uslugama prikupljanja otpada ili prodajnoj radnji u kojoj ste kupili proizvod.

ZAŠTITA OKOLINE



Odvojeno prikupljanje. Proizvodi i baterije označeni ovim simbolom ne smeju se odlagati sa uobičajenim kućnim otpadom.

Proizvodi i baterije sadrže materijale koji se mogu oporaviti ili reciklirati, smanjujući potrebu za sirovinama. Molimo vas da reciklirate električne proizvode i baterije u skladu sa lokalnim propisima. Više informacija je dostupno na www.2helpU.com

OPIS (SI. A)

▲ UPZORENJE: Nikada ne modifikujte uređaj ili bilo koji njegov deo. Oštećenje ili lične povrede mogu nastati.

- 1 Gornja ručka/vezivanje kabla
- 2 Napojna kabla
- 3 Prekidač za uključivanje/isključivanje
- 4 Usisivačka glava
- 5 Latch-evi poklopca
- 6 Rezervoar za prašinu
- 7 Crevo
- 8 Kasteri
- 9 Clean Connect™ filter
- 10 Ulaz za usisavanje
- 11 Držač za crevo
- 12 Jednokratnih kesa za prašinu

SKLOP I PRILAGOĐAVANJE (SI. A-C)

▲ UPZORENJE: Da biste smanjili rizik od povreda, isključite uređaj i isključite ga iz napajanja pre nego što instalirate ili uklonite dodatke, pre nego što prilagodite ili promenite postavke ili kada vršite popravke. Neočekivano pokretanje može izazvati povrede.

▲ UPZORENJE: Filter 9 uvek mora biti na svom mestu dok usisavate, osim kao što je opisano u odeljku za **APLIKACIJU ZA VLA NO USISAVANJE** u poglavlju **OPRERACIJA**. Kada usisavate sitnu prašinu, možda ćete morati koristiti jednokratnu praškastu vreću kako bi pražnjenje rezervoara bilo lakše.

1. Instalirajte jednokratnu kesu za prašinu 12, kao što je prikazano na **SI. B**.

NAPOMENA: Pazite da ne pocepate vreću. Sigurno stavite vreću na ulaz za usisavanje 10 kako biste obezbedili čvrsto pritanjanje za maksimalne performanse prikupljanja prašine.

2. Stavite usisivačku glavu 4 na rezervoar za prašinu i pričvrstite je zatvaranjem latch-eva poklopca 5.
3. Umetnite kraj creva 7 u ulaz za usisavanje sa kopčom 10 i zategnite kraj creva na rezervoar.

UPOTREBA

UPUTSTVA ZA UPOTREBU (SI. A, D, E)

▲ UPZORENJE: Uvek poštujujte sigurnosne upute i odgovarajuće propise.

1. Priključite napojni kabl u odgovarajuću utičnicu.
 2. Prebacite prekidač za uključivanje/isključivanje 3 u poziciju ON Uključivanje (1)
 3. DeWALT usisivač za građevinsku prašinu opremljen je DEWALT sistemom za povezivanje. Omogućava brzo i sigurno povezivanje između creva 7 i električnog alata. Priključak se direktno povezuje sa DEWALT kompatibilnim alatima ili pomoću adaptera (dostupnih kod lokalnog DEWALT distributera). Ako treba da instalirate adaptere, pogledajte **SI. E**.
- NAPOMENA:** Ako koristite adapter, uverite se da je čvrsto pričvršćen za izlaz alata pre nego što nastavite sa sledećim koracima.

UPUTSTVA ZA RAD

INSTALACIJA KASTERA (SI. A, F)

1. Okrenite rezervoar za prašinu, stavite kaster na dno rezervoara i uskladite ga sa udubljenjem na dnu. Pričvrstite pomoću šrafova koji su priloženi.
2. Ponovo okrenite rezervoar za prašinu u uspravan položaj.

UKLANJANJE/IZMENA ISKORIŠĆENE JEDNOKRATNE KESE ZA PRAŠINU (SI. A)

▲ UPZORENJE: Odgovarajuća lična zaštitna oprema poput maske za prašinu i rukavica treba se koristiti prilikom rukovanja korišćenim prašnjavim vrećama.

1. Isključite usisivač i izvucite kabl iz utičnice.
2. Otključajte latch-eva poklopca 5 i uklonite usisivačku glavu 4.
3. Pažljivo povucite jednokratnu kesu za prašinu 12 sa ulaza za usisavanje 10.
4. Čvrsto zapečatite otvor jednokratne kесе za prašinu 12 prilikom uklanjanja iz uređaja.
5. Odložite jednokratnu kesu za prašinu 12 u odgovarajući kontejner u skladu sa zakonskim propisima.

APLIKACIJE ZA VLAŽNO USISAVANJE (SI. A, G)

▲ UPZORENJE: Ako pena ili tečnost iscuri iz uređaja, odmah ga isključite.

▲ UPZORENJE: Nemojte koristiti uređaj sa ovom postavkom za usisavanje prašine klase L.

Balon za plovnost 14 blokira protok vazduha do motora kada je rezervoar za prašinu pun i zvuk. Kada motor proizvodi visok ton zvuka i protok vazduha i vode se zaustavi, ispraznite rezervoar za prašinu.

1. Isključite usisivač i izvucite kabl iz utičnice.
2. Otključajte latch-eva poklopca 5 i uklonite usisivačku glavu 4.
3. Ispraznite sadržaj rezervoara za prašinu 6 u odgovarajući kontejner ili odvodi.

▲ PAŽNJA: Redovno čistite uređaj za ograničavanje nivoa vode i proverite znakove oštećenja. Pogledajte **SI. G**.

Srpski

OBAVEŠTENJE: NEMOJTE ukloniti balon za plovnost 14, jer bi to moglo oštetiti usisivač. Balon za plovnost sprečava ulazak vode u motor.

Pre nego što koristite usisivač za vlažno usisavanje:

- Uverite se da je rezervoar za prašinu prazan i da nije prepun suvišne prašine.
- Uklonite filter 9 iz uređaja.

DA BI SE VRATILI NA SUVO USISAVANJE (SI. A)

1. Ispraznite rezervoar za prašinu, pogledajte uputstvo za **ISPRA NJAVANJE REZERVOARA ZA PRAŠINU**.
2. Postavite rezervoar za prašinu u položaj naopako dok se ne osuši. NE koristite mokar rezervoar za prašinu za suvo usisavanje.
3. Postavite usisivačku glavu na ravnu površinu kako bi se osušila.
4. Ponovno postavite filtere kada se usisivačka glava osuši. Pogledajte UPUTSTVO ZA ČIŠĆENJE CONNECT FILTERA.
5. Kada se rezervoar za prašinu osuši, stavite usisivačku glavu 4 na rezervoar za prašinu i pričvrstite je zatvaranjem latch-eva poklopca 5.

ISKLOP/PREVOZ (SI. A)

1. Prebacite prekidač za uključivanje/isključivanje 3 u OFF poziciju.
2. Isključite uređaj.
3. Spremite napojni kabl 2 omotavanjem oko gornje ručke i vezivanja kabla 1, kao što je prikazano.
4. Prilikom transporta u vozilima, osigurajte uređaj.

ODRŽAVANJE

DeWALT uređaj je dizajniran da radi tokom dužeg vremenskog perioda uz minimalno održavanje. Neprekidno zadovoljavajuće funkcionisanje zavisi od pravilnog održavanja uređaja i redovnog održavanja i čišćenja.

▲ UPZORENJE: Da biste smanjili rizik od povreda, isključite uređaj i odspojite ga od napajanja pre nego što instalirate ili uklonite dodatke, pre nego što prilagodite ili promenite postavke ili kada vršite popravke.

Neočekivano pokretanje može izazvati povrede.

▲ UPZORENJE: Za servisiranje korisnicima, mašina mora biti rastavljena, očišćena i servisirana, koliko god je to razumno moguće, bez izazivanja rizika za osoblje za održavanje i druge. Odgovarajuće mere predostrožnosti uključuju dezinfekciju pre rastavljanja, obezbeđivanje lokalne ventilacije sa filtriranim izduvnim vazduhom na mestu rastavljanja mašine, čišćenje prostora za održavanje i odgovarajuću ličnu zaštitu.

- Proizvođač ili obučena osoba treba da izvrši tehnički pregled barem jednom godišnje, što uključuje, na primer, pregled filtera na oštećenja, hermetičnost mašine i pravilno funkcionisanje kontrolnog mehanizma.

- Prilikom izvođenja servisnih ili popravnih radova, svi kontaminirani predmeti koji se ne mogu adekvatno očistiti, treba da se odlože; takvi predmeti treba da se odlažu u nepropusne kese u skladu sa važećim propisima za odlaganje takvog otpada.

FILTER (SI. A, H, I) BRIGA O FILTRIMA

Filteri koji dolaze sa ovim usisivačem su filteri dugog veka. Da bi bili efikasni u minimiziranju recirkulacije prašine, filteri MORAJU biti pravilno postavljeni i u dobrom stanju.

▲ UPZORENJE: Prilikom rukovanja filterima, koristite odgovarajuću ličnu zaštitnu opremu, poput maske za prašinu i rukavica.

Za uklanjanje Clean Connect™ Filter

1. Isključite prekidač za uključivanje/isključivanje 3 u poziciju OFF (O) i izvadite kabl iz utičnice.
2. Otključajte latch-ove poklopca 5 i uklonite usisivačku glavu 4 iz rezervoara. Postavite usisivačku glavu na ravnu površinu naopako.
3. Okrenite svaki filter 9 u smeru suprotnom od kazaljke na satu, držeći ga za plastičnu zaštitu, kao što je prikazano, i pažljivo ga uklonite iz glave, pazeći da otpad ne upadne u montažnu rupu.

NAPOMENA: Pazite da ne oštetite materijal filtera.

4. Ako treba da očistite donju stranu usisivačke glave 4, koristite krpu navlaženu vodom i blagim sapunom i ostavite da se osuši. Odložite krp u odgovarajući kontejner.
5. Proverite filtere na trošenje, suze ili drugo oštećenje.

NAPOMENA: Ako postoji bilo kakva sumnja u stanje filtera, oni MORAJU biti zamenjeni. Nemojte nastaviti sa upotrebom ako su filteri oštećeni.

▲ UPZORENJE: Nikada ne koristite komprimovani vazduh ili četku za čišćenje filtera, jer će doći do oštećenja filter membrane, što omogućava prolazak prašine kroz filter. Ako je potrebno, nežno kucnite filter o čvrstu površinu ili ga isperite sa vodom sobne temperature i ostavite da se osuši na vazduhu. Čišćenje filtera obično nije potrebno, čak i ako je filter prekriven prašinom. Automatski sistem za čišćenje filtera održava maksimalne performanse i nastavlja sa radom. Ako je vizuelno oštećena membrana filtera, zamenite filtere. Filteri obično traju između šest i dvanaest meseci, u zavisnosti od upotrebe i održavanja.

Za instaliranje Clean Connect™ Filter

1. Uverite se da je brtva filtera 15 na svom mestu i sigurna.
2. Poravnajte navoj filtera 16 sa navojem na usisivačkoj glavi i koristeći umereni pritisak, okrenite filter u smeru kazaljke na satu dok se ne stegne.

NAPOMENA: Budite pažljivi da ne oštetite materijal filtera.

3. Postavite usisivačku glavu 4 na rezervoar za prašinu i pričvrstite je zatvaranjem latch-ova poklopca 5.

NAPOMENA: Uklonite sunderasti filter i zamenite ga sa Clean Connect™ filterom kada radite sa suvim usisavanjem.

Za instaliranje sunderastog filtera

Ovaj usisivač zahteva minimalne promene prilikom prelaska sa suvog na vlažno usisavanje. Čisti kartidž filter može se koristiti za usisavanje manjih količina tečnosti. Za najbolje rezultate prilikom usisavanja većih količina tečnosti, uklonite kartidž filter i sve filtere za prašinu, bilo jednokratne ili ponovo upotrebljive. Instalirajte sunderasti filter 17, kao što je prikazano na **Sl. J.** Instalacija sunderastog filtera pomoći će u zaštiti motora i smanjenju mogućnosti maglenja koja može nastati u izduvnom vazduhu ili kapanja tečnosti oko poklopca.

ISPRAŽNJAVANJE REZERVOARA ZA PRAŠINU (Sl. K)

▲UPZORENJE: Da biste smanjili rizik od povreda od slučajnog pokretanja, isključite napojni kabl pre nego što ispraznite 6 rezervoar za prašinu.

1. Uklonite sklop poklopca motora usisivača za moko/suvo čišćenje povlačenjem kopči poklopca prema spolja, koje se nalaze sa obe strane usisivača. Podignite usisivačku glavu.
2. Ispraznite sadržaj rezervoara u odgovarajući kontejner za otpad.
3. Tečnosti se mogu ispustiti kroz odvodnu rupu rezervoara 18. Da biste ispraznili, isključite uređaj i izvadite utikač iz utičnice. Uklonite čep za odvod i odložite tečni otpad u odgovarajući odvod. Nakon što se rezervoar isprazni, vratite čep za odvod na njegovo originalno mesto. Da biste nastavili upotrebu, priključite kabl u utičnicu i uključite uređaj.

POVEZIVANJE SA ELEKTRIČNIM ALATOM (Sl. L, M)

1. Uverite se da je kontrolni prekidač 3 u poziciji "Off" i da napajanje nije povezano.
2. Postoje 2 opcije za sledeći korak:
Opcija 1: Povežite alat sa usisivačem, zatim priključite napajanje i okrenite prekidač za uključivanje/isključivanje 3 u poziciju ON (I), u tom trenutku će usisivač početi da radi.
Opcija 2: Povežite alat sa usisivačem, zatim priključite napajanje i okrenite prekidač za uključivanje/isključivanje 3 u poziciju ON (II), u tom trenutku alat će početi da radi.

▲UPZORENJE: Koristite utičnicu usisivača samo za povezivanje spoljnog električnog alata. Usisivač se automatski uključuje i isključuje preko povezanog alata. Povezani teret električnog alata ne sme prelaziti maksimalni povezani teret PA utičnice usisivača. Takođe pratite uputstva za upotrebu i sigurnosna upozorenja električnog alata koji je povezan sa utičnicom usisivača.

PREPORUKA: Uvek koristite usisivač sa uređajem za zaštitu od preostale struje (RCD) sa nazivnom strujom preostale struje od 200mA ili manje.

Molimo vas da se uverite da je prekidač na električnom alatu u poziciji "Off" pre nego što povežete alat sa usisivačem.

Nakon što isključite električni alat povezan sa utičnicom usisivača, usisivač će raditi još oko 15 sekundi, a zatim se automatski isključiti.

Električna sigurnost.

1. **Priključak inflatora mora odgovarati utičnici. Nikada nemojte modifikovati utikač ni na koji način. Ne koristite adaptere sa uzemljenim i nflatorom.** Neizmenjeni utikači i odgovarajuće utičnice će smanjiti rizik od strujnog udara.
2. **Izbegavajte kontakt tela sa uzemljenim površinama kao što su cevi, radijatori, šporeti i fri ideri.** Postoji povećan rizik od strujnog udara ako je vaše telo uzemljeno.
3. **Ne izlažite inflator kiši ili vlažnim uslovima.** Voda u inflatoru povećava rizik od strujnog udara.
4. **Ne zloupotrebljavajte kabl. Nikada ne koristite kabl za nošenje, povlačenje ili isključivanje inflatora. Držite kabl dalje od toplote, ulja, oštrih ivica i pokretnih delova.** Oštećeni ili zapleteni kablovi povećavaju rizik od strujnog udara.
5. **Prilikom korišćenja inflatora na otvorenom, koristite produ ni kabl prikladan za spoljašnju upotrebu.** Korišćenje kabla prikladnog za spoljašnju upotrebu smanjuje rizik od strujnog udara.
6. **Ako je rad sa električnim alatom u vlažnoj lokaciji neizbežan, koristite napajanje zaštićeno uređajem za preostalu struju (RCD).** Upotreba RCD smanjuje rizik od električnog udara.
7. Električni motor je dizajniran za jednu jedinu naponsku vrednost. Uverite se da napajanje odgovara naponskim podacima sa ploče sa oznakama. Ako je napojni kabl oštećen, mora ga zameniti samo DEWALT ili ovlašćeni servisni organizacija.

ZAMENA UTIČNICE ZA MREŽU (Samo za U.K. i Irsku)

Ako je potrebno da se postavi nova mrežna utičnica:

- Sigurno odložite staru utičnicu.
 - Povežite braon žicu sa živo terminalom u utičnici.
 - Povežite plavu žicu sa neutralnim terminalom.
 - Povežite žuto/zelenu žicu sa uzemljenim terminalom.
- Pratite uputstva za postavljanje koja su priložena sa kvalitetnim utičnicama. Preporučeni osigurač: 13A.

Srpski

▲ UPZORENJE: Nikada nemojte koristiti utičnicu za svetiljke. Nikada ne povežite živu (L) ili neutralnu (N) žicu sa uzemljenim pinom označenim sa E ili $\frac{1}{2}$.

UPOTREBA PRODUŽNOG KABLA

Ako je potreban produžni kabl, koristite odobreni 3-jezgrovni produžni kabl koji je pogodan za unos energije ovog alata (pogledajte Tehničke podatke). Minimalna veličina provodnika je 1,5 mm²; maksimalna dužina je 30m.

Kada koristite kolut za kabl, uvek potpuno odmotajte kabl.

FUNKCIJA PUHANJA (SI. C)

▲ UPZORENJE: Da biste izbegli povredu prolaznika, držite ih podalje od letećih ostataka.

Usisivač ima funkciju puhanja. Ima mogućnost da otera piljevinu i druge ostatke. Može se koristiti za puhanje prašine i ostataka iz garaža ili sa terasa i prilaza. Pratite sledeće korake kako biste koristili usisivač kao pihalicu.

1. Pronađite pihalni otvor na usisivaču.
2. Umetnite jedan kraj creva u pihalni otvor.
3. Uključite usisivač na "ON".

SKLADIŠTENJE (SI. A)

1. Ispraznite rezervoar za prašinu, pogledajte uputstvo za **ISPRA NJAVANJE REZEVOARA ZA PRAŠINU**.
2. Očistite usisivač iznutra i spolja, pogledajte odeljak za **ČIŠĆENJE**.
3. Očistite ili zamenite filtre, pogledajte odeljak za **FILTER**.
4. Spremite crevo i napojni kabl kao što je prikazano na **SI. A**. Postavite uređaj u suhu prostoriju i obezbedite ga od neovlašćenog korišćenja.

OPCIONALNI DODACI

▲ UPZORENJE: Pošto dodaci, osim onih koje nudi DEWALT, nisu testirani sa ovim proizvodom, njihovo korišćenje sa uređajem može biti opasno. Da biste smanjili rizik od povreda, koristite samo DEWALT preporučene dodatke sa ovim proizvodom.

ČIŠĆENJE

Da biste održali mokri/suhi usisivač u dobrom stanju, očistite spoljašnjost krpom navlaženom toplom vodom i blagim sapunom.

Da biste očistili rezervoar:

1. Ispraznite ostatke.
2. Temeljno operite rezervoar toplom vodom i blagim sapunom.
3. Obrišite suvom krpom.

DIJAGNOSTIKA PROBLEMA

▲ UPZORENJE:

Manji problemi se često mogu rešiti bez pozivanja korisničke službe.

PROBLEM	REŠENJE
Motor ne radi	Proverite napojni kabl, utikače i utičnicu. Uverite se da je prekidač za uključivanje/isključivanje u poziciji ON (I).
Smanjena snaga usisavanja	Uklonite blokade u usisnoj mlaznici, produžnim štapovima, crevu ili filteru. Zamenite jednokratnu kesu za filter. Proverite ispravnu instalaciju filtera. Očistite ili zamenite filter. Ispraznite rezervoar za prašinu, pogledajte uputstvo za ISPRA NJAVANJE REZEVOARA (ISPRA NJAVANJE REZEVOARA ZA PRAŠINU)
Usisivač prestaje da radi	Pretrpela je termalna preopterećenost: 1. Isključite usisivač i isključite ga iz napajanja. 2. Ispraznite rezervoar za prašinu, ako je potrebno. 3. Dozvolite uređaju da se ohladi. 4. Ponovo priključite napojni kabl u odgovarajuću utičnicu i postavite prekidač u poziciju ON (I)
Prašina izlazi dok usisavate	Proverite ispravnu instalaciju filtera. Uverite se da filteri nisu oštećeni; zamenite ih ako je potrebno. Proverite da li su brtve filtera postavljene i sigurno pričvršćene. Proverite ispravno postavljanje usisivačke glave

▲ UPOZORENJE: Ako je napojni kabl oštećen, mora ga zameniti proizvođač, njegov servisni agent ili kvalifikovana osoba kako bi se izbegao rizik od opasnosti.

▲ UPOZORENJE: Ovaj proizvod NE SMUJE biti korišćen za filtriranje patogena, na primer, COVID-19. Pratite sva lokalna, državna i savezna uputstva o opštim praksama čišćenja.



СПЕЦИФИКАЦИИ НА ПРОДУКТА

Модел	<i>DXV30SAPTA</i>
Захранване	<i>220-240V / 50/60Hz / 1050W</i>
Натиск на уплътнението	<i>15 kPa</i>
Ниско ниво на въздуха	<i>37,8L/S</i>
Капацитет на резервоара	<i>30L*</i>
Маркуч	<i>3Gx1,5mm²/ 3,05m</i>

* Капацитетът на резервоара се отнася до действителния обем на резервоара и не отразява капацитета по време на работа.

СЪДЪРЖАНИЕ НА ОПАКОВКАТА

Опаковката съдържа:

- 1 Маркуч *48mm x 2,1m (DXVA19-2558)*
- 2 Удължителни пръчки *(DXVA19-1202)*
- 1 Накрайник за чистачки *(DXVA19-1400)*
- 1 Накрайник за почистване *(DXVA19-1300)*
- 1 Дюза за под *(DXVA19-1900D)*
- 1 Мрежеста чанта за аксесоари *(DXVA19-5158)*
- 1 Торбичка за прах за еднократна употреба *(DXVA19-4204)*
- 1 Филтър *Clean Connect™ (DXVC4001)*
- 1 Филтър за пяна *(DXVA20-1200A)*
- 1 Адаптер за инструменти *(DXVA19-2780)*
- 1 Кръгла четка *(DXVA19-2400)*
- 1 Лакът *(DXVA19-2800)*
- 1 Инструкция за употреба
- 1 Пакет с винтове
- 4 Колелца

- Проверете за повреди по инструмента, частите или аксесоарите, които може да са настъпили по време на транспортиране.
- Отделете време, за да прочетете внимателно и разберете това ръководство преди работа.

ДЕФИНИЦИИ: УКАЗАНИЯ ЗА БЕЗОПАСНОСТ

Определенията по-долу описват нивото на сериозност за всяка сигнална дума. Моля, прочетете ръководството и обърнете внимание на тези символи.

▲ ОПАСНОСТ: Показва непосредствена опасна ситуация, която, ако не бъде избегната, ще доведе до смърт или сериозно нараняване.

▲ ПРЕДУПРЕЖДЕНИЕ: Показва потенциално опасна ситуация, която, ако не бъде избегната, може да доведе до смърт или сериозно нараняване.

▲ ВНИМАНИЕ: Показва потенциално опасна ситуация, която, ако не бъде избегната, може да доведе до леко или средно нараняване.

ЗАБЕЛЕЖКА: Указва практика, която не е свързана с нараняване на хора и която, ако не бъде избегната, може да доведе до материални щети.

ВАЖНИ ИНСТРУКЦИИ ЗА БЕЗОПАСНОСТ

▲ ПРЕДУПРЕЖДЕНИЕ: Когато използвате електрически уреди, винаги спазвайте основните предпазни мерки, за да намалите риска от пожар, токов удар и нараняване, включително следното:

ПРЕДИ ДА ИЗПОЛЗВАТЕ ТОЗИ УРЕД, ПРОЧЕТЕТЕ И СПАЗВАЙТЕ ВСИЧКИ ИНСТРУКЦИИ.

▲ ПРЕДУПРЕЖДЕНИЕ: За да намалите риска от токов удар. Да не се излага на дъжд. СЪХРАНЯВАЙТЕ НА ЗАКРИТО.

- Не оставяйте уреда, когато е свързан към източник на захранване. Изключвайте го от контакта, когато не го използвате и преди сервизиране.
- Не позволявайте уредът да се използва като играчка. Обърнете специално внимание, когато уредът се използва от или близо до деца.
- Използвайте този уред САМО както е описано в ръководството. Използвайте само препоръчани от DEWALT приставки.
- Не използвайте този уред с повреден кабел или щепсел. Ако уредът не работи правилно или ако е изпуснат, повреден, оставен на открито или изпуснат във вода, върнете го в сервизен център.
- Не дърпайте и не носете този уред за кабела, не използвайте кабела като дръжка, не затваряйте врата върху кабела и не дърпайте кабела около остри ръбове или ъгли. Не прекарвайте уреда през кабела. Дръжте кабела далеч от нагорещени повърхности.
- Не изключвайте този уред, дърпайки кабела. За да изключите щепсела, хванете него, а не кабела.
- Не пипайте щепсела или уреда с мокри ръце.
- Не поставяйте никакви предмети в отворите на уреда. Не използвайте уреда със запушени отвори; пазете от прах, мъх, косми и всичко друго, което може да намали нивото на въздуха.
- Дръжте косата, широките дрехи, пръстите и всички части на тялото далеч от отворите и движещите се части.
- Изключете всички контроли, преди да изключите уреда.
- Бъдете особено внимателни, когато почиствате по стълбите.
- Не използвайте уреда за засмукване на запалими или запалими течности, като бензин, или използвайте в зони, където има запалими течности.
- Статични удари са възможни в сухи помещения или когато относителната влажност на въздуха е ниска. Това е само временно и не влияе на използването на прахосмукачката. За да намалите честотата на статични удари, добавете влага към въздуха с конзола, инсталиран овлажнител или сменете с антистатични маркучи (не са включени).
- За да избегнете спонтанно запалване, изпразвайте резервоара за прах след всяка употреба.
- ▲ **ВНИМАНИЕ:** Уредът не е предназначен за използване от хора (включително деца) с намалени физически, сетивни или умствени способности или липса на опит и познания, освен ако не са били под наблюдение или са били инструктирани относно използването на уреда от лице, отговорно за тяхната безопасност.

Децата трябва да бъдат наблюдавани, за да се гарантира, че не си играят с уреда.

**ЗАПАЗЕТЕ ТЕЗИ ИНСТРУКЦИИ
ДОПЪЛНИТЕЛНИ ПРАВИЛА ЗА БЕЗОПАСНОСТ**

- Не засмуквайте нищо, което гори или дими, като цигари, кибрит или гореща пепел.
- Не използвайте за засмукване на запалими експлозивни материали, като въглища, зърно или други фино разделени горими материали.
- Не използвайте за вакуумиране на опасни, токсични или канцерогенни материали, като азбест или пестициди.
- Никога не прахосмучете експлозивни течности (напр. бензин, дизелово гориво, мазут, разредител за бои и др.), киселини или разтворители.
- Не използвайте прахосмукачка без поставени филтри, освен както е описано в ПРИЛОЖЕНИЯ ЗА ПОЧИСТВАНЕ НА МОКРО.
- Някои дървесини съдържат консерванти, които могат да бъдат токсични. Обърнете особено внимание, за да предотвратите вдишване и контакт с кожата, когато работите с тези материали. Поискайте и следвайте всяка налична информация за безопасност от доставчика на материала.
- Не използвайте прохосмукачката като стълба.
- Не поставяйте тежки предмети върху вакуума.
- Удължителният кабел трябва да има подходящ размер на проводника за безопасност.
- Ако удължителен кабел ще се използва на открито, той трябва да бъде маркиран.

▲ ПРЕДУПРЕЖДЕНИЕ:

За да намалите излагането на прах и други частици, носете одобрено оборудване за безопасност, като маски за прах, които са специално проектирани да филтрират микроскопичните частици.

▲ ПРЕДУПРЕЖДЕНИЕ:

- ЗА НАМАЛЯВАНЕ НА РИСКА ОТ НАРАНЯВАНЕ, ПОТРЕБИТЕЛЯТ ТРЯБВА ДА ПРОЧЕТЕ РЪКОВОДСТВОТО ЗА УПОТРЕБА. НЕ ОСТАВЯЙТЕ ПРАХОСМУКАЧКАТА БЕЗ НАДЗОР, КОГАТО Е ВКЛЮЧЕНА. НЕ ЗАСМУКВАЙТЕ ЗАПАЛИМИ, ГОРЕЩИ ИЛИ ГОРЕЩИ МАТЕРИАЛИ. НЕ ИЗПОЛЗВАЙТЕ В БЛИЗОСТ ДО ВЗРИВООПАСНИ ПРАХОВЕ, ТЕЧНОСТИ ИЛИ ПАРИ. ЕЛЕКТРИЧЕСКИТЕ УСТРОЙСТВА ПРОИЗВЕЖДАТ ДЪГИ ИЛИ ИСКРИ, КОИТО МОГАТ ДА ПРИЧИНЯТ ПОЖАР ИЛИ ЕКСПЛОЗИЯ. НЕ ИЗПОЛЗВАЙТЕ В БЕНЗИНОСТАНЦИИ ИЛИ НАВСЯКЪДЕ, КЪДЕТО СЕ СЪХРАНЯВА ИЛИ ДОЗИРА БЕНЗИН. НЕ ПРАХОСМУЧЕТЕ ТОКСИЧНИ ИЛИ КАНЦЕРОГЕННИ МАТЕРИАЛИ ИЛИ ДРУГИ МАТЕРИАЛИ, ОПАСНИ ЗА ЗДРАВЕТО, КАТО АЗБЕСТ ИЛИ ПЕСТИЦИДИ. ВИНАГИ ИЗПОЛЗВАЙТЕ ПОДХОДЯЩА ЗАЩИТА НА ОЧИТЕ И ДИХАТЕЛНИТЕ ПЪТИЩА. ЗА ДА НАМАЛИТЕ РИСКА ОТ

ЕЛЕКТРИЧЕСКИ УДАР, НЕ ИЗЛАГАЙТЕ УРЕДА НА ДЪЖД. СЪХРАНЯВАЙТЕ НА ЗАКРИТО. ПРИ СЕРВИЗНО ОБСЛУЖВАНЕ ИЗПОЛЗВАЙТЕ САМО ИДЕНТИЧНИ РЕЗЕРВНИ ЧАСТИ. НЕ СЕ ИЗПОЛЗВА КАТО СТЬПЕНКА.

**ЗАПАЗЕТЕ ТЕЗИ ИНСТРУКЦИИ
ИНСТРУКЦИИ ЗА РАБОТА**

РЕЗЮМЕ НА РАЗПАКОВАНЕТО И НАСТРОЙКАТА

1. Издърпайте ключалките на капака с движение навън, отстранете хранящата глава и някои аксесоари, които може да са били доставени в резервоара.
2. Прикрепете тежки гумирани колела, като следвайте инструкциите в това ръководство.
3. Преди да смените хранящата глава, вижте това ръководство, за да се уверите, че имате инсталирани правилните филтри за операцията по почистване.
4. Сменете хранящата глава и приложете натиск с палец към всяко зъбче, докато щракне плътно на място. Уверете се, че всички зъбчета на капака са здраво захванати.
5. Поставете края на маркуча във входа на резервоара. Прикрепете удължителните
6. крайници към края на маркуча. Приложете лек натиск, докато стегнете.
7. Прикрепете един от аксесоарите за почистване (в зависимост от изискванията за почистване) към удължителните крайници. Завъртете леко, за да стегнете връзката.
8. Включете кабела в контакта. Прахосмукачката е готова за употреба.

▲ ПРЕДУПРЕЖДЕНИЕ:

За да намалите риска от пожар или експлозия, не работете с тази прахосмукачка в зони със запалими газове, пари или експлозивен прах във въздуха. Запалимите газове или изпарения включват, но не се ограничават до: течност за запалки, почистващи препарати от типа на разтворители, бои на маслена основа, бензин, алкохол или аерозолни спрейове. Експлозивните прахове включват, но не се ограничават до: въглища, магнезий, алуминий и зърна или барут. Не прахосмучете експлозивен прах, запалими или запалими течности или гореща пепел. Не използвайте тази прахосмукачка като пръскачка за запалими или горими течности. За да намалите риска от опасности за здравето от изпарения или прах, не почиствайте с прахосмукачка токсични материали.

ВАЖНИ ПРЕДПАЗНИ МЕРКИ

Символът върху продукта или опаковката указва, че продуктът не трябва да се третира като битов отпадък. Вместо това той трябва да бъде предаден в събирателен пункт за рециклиране на електрически и електронни компоненти. Като гарантирате, че продуктът се третира по правилния начин, това ще помогне за предотвратяване на отрицателното въздействие върху околната среда и здравето, което може да възникне в резултат на изхвърлянето на продукта като общ отпадък. За допълнителна информация относно рециклирането трябва да се свържете с местните власти, службата за събиране на отпадъци или търговския обект, от който сте закупили стоките.

ОПАЗВАНЕ НА ОКОЛНАТА СРЕДА



Разделно събиране. Продуктите и батериите, маркирани с този символ, не трябва да се изхвърлят заедно с обикновените битови отпадъци.

Продуктите и батериите съдържат материали, които могат да бъдат възстановени или рециклирани, намалявайки търсенето на суровини. Моля, рециклирайте електрическите продукти и батериите в съответствие с местните разпоредби. Допълнителна информация можете да намерите на www.2helpU.com

ОПИСАНИЕ (Страница 1 Фиг. А)

▲ ПРЕДУПРЕЖДЕНИЕ: Никога не модифицирайте захранващия уред или част от него. Това може да доведе до повреда или лично нараняване.

- 1 Дръжка за преобръщане
- 2 Захранващ кабел
- 3 Ключ за включване/изключване
- 4 Вакуумна глава
- 5 Резета на капака
- 6 Резервоар за прах
- 7 Маркуч
- 8 Кутия за аксесоари/обвивка за кабел
- 9 Почистете филтъра *connect™*
- 10 Вакуумен отвор
- 11 Място за съхранение на удължителни пръчки
- 12 Торбичка за прах за еднократна употреба

Сглобяване и настройки (фиг. А-С)

▲ ПРЕДУПРЕЖДЕНИЕ: а да намалите риска от нараняване, изключете уреда и го изключете от източника на захранване, преди да монтирате и демонтирате аксесоари, преди да регулирате или променят настройките или когато извършвате ремонт. Случайното стартиране може да причини нараняване.

▲ ПРЕДУПРЕЖДЕНИЕ: Филтърът 9 трябва винаги да е на мястото си, докато прахосмукирате, освен в случаите, описани в раздел „ПРИЛОЖЕНИЯ ЗА МОКРО ПОЧИСТВАНЕ“ в раздел „РАБОТА“.

При прахосмукиране на фин прах може да се наложи да използвате и торбичка за прах за еднократна употреба, за да улесните изпразването на резервоара за прах.

1. Монтирайте еднократната торбичка за прах 12, както е показано на фиг. В.

ЗАБЕЛЕЖКА: Внимавайте да не скъсате торбичката. Поставете торбата здраво върху вакуумния порт 10, за да осигурите плътно уплътнение за максимална ефективност на прахоулавянето.

2. Поставете вакуумната глава 4 върху резервоара за прах 6 и го закрепете, като затворите ключалките на капака 5.

3. Поставете края на маркуча 7 в щипката на вакуумния порт 10 и затегнете края на маркуча към резервоара.

РАБОТА

ИНСТРУКЦИИ ЗА УПОТРЕБА (фиг. А, D, E)

▲ ПРЕДУПРЕЖДЕНИЕ: Винаги спазвайте инструкциите за безопасност и приложимите разпоредби.

1. Включете захранващия кабел в подходящ контакт.
2. троителната прахосмукачка DeWALT е оборудвана със система за свързване DeWALT. Тя позволява 7 бърза и сигурна връзка между маркуча и електроинструмента. Конекторът 13 се свързва директно със съвместими инструменти на DeWALT или чрез използване на адаптер (предлага се от местния доставчик на DeWALT). Ако ви е необходимо Инсталирайте адаптерите, вижте Фиг. E.

ЗАБЕЛЕЖКА: Ако използвате адаптер, уверете се, че той е здраво закрепен към контакта на инструмента, преди да следвате стъпките по-долу.

ИНСТРУКЦИИ ЗА ЕКСПЛОАТАЦИЯ МОНТАЖ НА КОЛЕЛА (фиг. А, F)

1. Обърнете резервоара за прах, вземете колелцето, за да подравните мястото на потъване на дъното на резервоара. Закрепете с предоставените винтове.
2. Върнете модула на резервоара за прах изправен.

ИНСТРУКЦИИ ЗА РАБОТА

ИЗПРАЩАНЕ/ИЗМЕНЯНЕ НА ИЗПОЛЗВАНАТА ПРАХОВА СМЕТКА (фиг. А)

▲ ПРЕДУПРЕЖДЕНИЕ: При работа с използвани торбички за прах трябва да се използват подходящи лични предпазни средства като маска за прах и ръкавици.

1. Изключете прахосмукачката и извадете щепсела от контакта.
2. Разхлабете ключалките на капака 5 и свалете вакуумната глава 4.
3. Издърпайте внимателно торбичката за прах за еднократна употреба 12 от вакуумния порт 10.
4. Запечатайте плътно отвора наторбичката за прах за еднократна употреба 12, когато я изваждате от машината.
5. Изхвърлете торбичката за прах за еднократна употреба 12 в подходящ контейнер в съответствие със законовите разпоредби.

ПРИЛОЖЕНИЯ ЗА ПРАХОСММУЧЕНЕ НА МОКРО (Фиг. А, G)

▲ ПРЕДУПРЕЖДЕНИЕ: Ако от машината излезе пяна или течност, незабавно я изключете.

▲ ПРЕДУПРЕЖДЕНИЕ: Не използвайте машината с тази настройка за прах клас L.

Поплавъкът със сачми 14 ще блокира достъпа на въздух до двигателя, когато резервоарът за прах е пълен, и звукът на двигателя ще се промени веднага.

Когато двигателят има висок звук и потокът въздух/вода спре, изпразнете резервоара за прах.

1. Изключете прахосмукачката и извадете щепсела от контакта.
2. Разхлабете ключалките на капака 5 и свалете вакуумната глава 4.
3. Изпразнете съдържанието на резервоара за прах 6 в подходящ контейнер или в канализацията.

▲ ВНИМАНИЕ: Почиствайте редовно устройството за ограничаване на нивото на водата и го преглеждайте за признаци на повреда. Вижте фиг. G.

▲ ВНИМАНИЕ: НЕ отстранявайте поплавкa със сачми 14, това ще доведе до повреда на прахосмукачката. Сферичният поплавък предпазва водата от навлизане в двигателя.

Преди да използвате прахосмукачката за мокро събиране:

- Уверете се, че резервоарът за прах е празен и без излишен прах.
- Отстранете филтъра 9.

ЗА ПРЕОБРАЗУВАНЕ ОБРАТНО КЪМ СУХ ВАКУУМ (фиг. А)

1. Изпразнете резервоара за прах, вижте инструкциите на *TO EMPTY DUST TANK*.
2. Поставете резервоара за прах обърнат, докато изсъхне. НЕ използвайте мокър резервоар за прах за сухо събиране.
3. Поставете главата на прахосмукачката 4 на равна повърхност, за да изсъхне.
4. Поставете отново филтрите, когато вакуумната глава е суха. Вижте инструкциите към *TO CLEAN CONNECT FILTER*.

5. Когато резервоарът за прах е сух, поставете вакуумната глава 4 върху резервоара за прах и я закрепете, като затворите ключалките на капака 5.

ИЗКЛЮЧВАНЕ/ ПРЕМЕСТВАНЕ (фиг. А)

1. Завъртете превключвателя за включване/изключване 3 в положение *OFF* (изключено).
2. Изключете устройството от контакта.
3. Съхранявайте захранващи кабел 2 като го увиете около горната дръжка/обвивката на кабела 1, както е показано.
4. При транспортиране в превозни средства, обезопасете машината.

ПОДДРЪЖКА

Уредът *DEWALT* е проектиран да работи цялостно дълъг период от време с минимална поддръжка. Непрекъснатата удовлетворителна работа зависи от правилната грижа за уреда и редовното му почистване.

▲ ПРЕДУПРЕЖДЕНИЕ: За да намалите риска от нараняване, изключвайте уреда и го изключайте от източника на захранване, преди да монтирате и демонтирате аксесоари, преди да регулирате или променят настройките или когато извършвате ремонти. Случайното стартиране може да причини нараняване.

▲ ПРЕДУПРЕЖДЕНИЕ: За обслужване от потребителя машината трябва да бъде разглобена, почистена и обслужена, доколкото това е разумно осъществимо, без да се предизвиква риск за персонала по поддръжката и за други лица. Подходящите предпазни мерки включват обеззаразяване преди демонтаж, осигуряване на местна вентилация с плаващи смукателни тръби, където машината се демонтира, почистване на зоната за поддръжка и подходяща лична защита.

- Производителят или инструктираното лице извършва технически преглед най-малко веднъж годишно, състоящ се например от проверка на филтъра за повреди, херметичност на машината и изправност на контролния механизъм.
- При извършване на сервизни или ремонтни операции всички замърсени елементи, които не могат да бъдат почистени задоволително, трябва да се изхвърлят; такива артикули трябва да се изхвърлят в непромокаеми торби в съответствие с всички действащи разпоредби за изхвърляне на такива отпадъци.

ФИЛТЪР (фиг. А, H, I, J)

ГРИЖА ЗА ФИЛТЪРА

Филтрите, включени в този вакуум, са филтри с дълъг живот. За да бъдат ефективни при минимизиране на рецикулацията на прах, филтрите ТРЯБВА да бъдат инсталирани правилно и в добро състояние.

▲ПРЕДУПРЕЖДЕНИЕ: По време на работа с филтрите трябва да се използват подходящи лични предпазни средства като маска против прах и ръкавици.

За да извадите филтъра **Clean Connect™**

1. Завъртете превключвателя за включване/изключване **3** в положение *OFF* (O) и изключете кабела от контакта.
2. Освободете ключалките на капака **5** и извадете вакуумната глава **4** от контейнера. Поставете вакуумната глава върху равна повърхност с главата надолу.
3. Завъртете всеки филтър **9** обратно на часовниковата стрелка, като го хванете за пластмасовия краен капак, както е показано, и внимателно го извадете от главата, като внимавате да не попаднат остатъци в монтажния отвор.

ЗАБЕЛЕЖКА: Внимавайте да не повредите материала на филтъра.

4. Ако долната страна на главата на прахосмукачката **4** трябва да се почисти, използвайте кърпа, навлажнена с вода и мек сапун, и я оставете да изсъхне. Изхвърлете кърпата в подходящ контейнер.
5. Проверете филтрите за износване, разкъсвания или други повреди.

ЗАБЕЛЕЖКА: Ако има съмнение за състоянието на филтрите, те ТРЯБВА да бъдат сменени. НЕ продължавайте да използвате, ако филтрите са повредени.

▲ПРЕДУПРЕЖДЕНИЕ: Никога не използвайте съгъстен въздух или четка за почистване на филтрите, в противен случай ще се повреди филтърната мембрана, което ще позволи на праха да премине през филтъра.

Ако е необходимо, леко почукайте върху твърда повърхност или изплакнете с вода със стайна температура и оставете да изсъхне на въздух. Почишването на филтрите обикновено не е необходимо, дори ако филтърът е покрит с прах. Системата за автоматично почистване на филтрите ще поддържа максимална производителност и ще функционира. Ако има визуални повреди по филтърната мембрана, сменете филтрите. Филтрите обикновено издържат между шест и дванадесет месеца в зависимост от употребата и грижите.

Инсталиране на филтъра **Clean Connect™**

1. Уверете се, че уплътнението на филтъра **15** е на мястото си и е здраво закрепено.
2. Подравнете резбите на филтъра **16** с резбите на главата на прахосмукачката и с умерена сила завъртете филтъра по посока на часовниковата стрелка, докато се затегне.

ЗАБЕЛЕЖКА: Внимавайте да не повредите филтърния материал.

3. Поставете главата на прахосмукачката **4** върху резервоара за прах и я закрепете, като затворите ключалките на капака **5**.

ЗАБЕЛЕЖКА: Отстранете филтъра от пiana и го заменете с филтъра **Clean Connect™**, когато извършвате сухо събиране.

Инсталиране на филтъра от пiana

Този почистващ препарат изисква минимално преобразуване при преминаване от сухо към мокро събиране. За засмукване на малки количества течност може да се използва чист патронен филтър. За най-добри резултати при прахосмукачка на големи количества течност отстранете патронния филтър и всички прахови филтри за еднократна или многократна употреба. Инсталирайте филтъра от пiana **17**, както е показано на фиг. J. Инсталирането на филтъра от пiana ще помогне за предпазване на двигателя и ще сведе до минимум възможността за поява на мъгла, която може да се появи в изхвърляния въздух, или капене на течност около капака.

ЗА ИЗПРАЗВАНЕ НА РЕЗЕРВОАРА ЗА ПРАХ (фиг. K)

▲ПРЕДУПРЕЖДЕНИЕ: За да намалите риска от нараняване от случайно стартиране, изключете захранващия кабел, преди да изпразните резервоара за прах **6**.

1. Отстранете модула на захранващата глава на прахосмукачката за мокро/сухо прахосмукачка, като издърпате навън скобите на капака, разположени от всяка страна на прахосмукачката. Повдигнете модула на захранващата глава.
2. Изпразнете резервоара за прах в подходящия контейнер за отпадъци.
3. Течностите могат да се източват през дренажа на резервоара **18**. За да изпразните резервоара, изключете уреда и извадете щепсела от стенния контакт. Отстранете капачката на дренажа и поставете конусите с течни отпадъци в подходящ дренаж. След като резервоарът е изпразнен, върнете капачката за източване на първоначалното ѝ положение. За да продължите да използвате уреда, включете кабела в стенния контакт и включете уреда.

СВЪРЗВАНЕ НА ЕЛЕКТРОИНСТРУМЕНТ (фиг. L, M)

1. Уверете се, че контролният ключ **3** е в положение „Изключено“ и захранването не е свързано.
2. Има 2 опции за следващата стъпка.
Вариант 1: Първо свържете инструмента към прахосмукачката, след това свържете захранването и включете/изключете контролния превключвател **3** на позиция ON (I), в този момент прахосмукачката ще започне да работи.
Вариант 2: Първо свържете инструмента към прахосмукачката, след това свържете захранването и включете/изключете контролния превключвател **3** в позиция ON (II), в този момент електрическият инструмент може да започне да работи.

▲ ПРЕДУПРЕЖДЕНИЕ: Използвайте контакта на прахосмукачката само за свързване на външен електрически инструмент. Прахосмукачката се включва и изключва автоматично чрез свързания електрически инструмент.

Присъединеното натоварване на електроинструмента не трябва да надвишава максималното присъединително натоварване PA на контакта на прахосмукачката. Моля, спазвайте също инструкциите за експлоатация и предупрежденията за безопасност на електрическия инструмент, свързан към контакта на прахосмукачката.

ПРЕПОРЪКА: Винаги работете с прахосмукачката чрез устройство за остатъчен ток (RCD) с номинален остатъчен ток от 200 mA или по-малко. Моля, уверете се, че превключвателят на електроинструмента е в положение „Изключено“, преди да свържете инструмента към прахосмукачката. След изключване на електрически инструмент, свързан към контакта на прахосмукачката, прахосмукачката ще работи припл. 15 секунди и след това автоматично изключване.

ЕЛЕКТРИЧЕСКА БЕЗОПАСНОСТ

- Щепселите на електроинструмента трябва да съответстват на контакта. Никога не променяйте щепсела по никакъв начин. Не използвайте адаптерни щепсели със заземени (заземени) електрически инструменти.** Непроменени щепсели и съвпадащи контакти ще намалят риска от токов удар.
- Избягвайте контакт на тялото със заземени или заземени повърхности, като тръби, радиатори, печки и хладилници.** Съществува повишен риск от токов удар, ако тялото ви е заземено.
- Не излагайте електрическите инструменти на дъжд или мокри условия.** Попадането на вода в електроинструмента ще увеличи риска от токов удар.
- Не злоупотребявайте с кабела. Никога не използвайте кабела за пренасяне, дърпане или изключване на електрическия инструмент. Дръжте кабела далеч от топлина, масло, остри ръбове или движещи се части.** Повредените или заплетени кабели увеличават риска от токов удар.
- Когато работите с електроинструмент на открито, използвайте удължителен кабел, подходящ за употреба на открито.** Използването на кабел, подходящ за употреба на открито, намалява риска от токов удар.

- Ако работата с електроинструмент на влажно място е неизбежна, използвайте защитено захранване с устройство за остатъчен ток (RCD).** Използването на RCD бушон намалява риска от токов удар.
- Електрическият мотор е проектиран само за едно напрежение. Винаги проверявайте дали захранването отговаря на напрежението на табелката с данни. Ако захранващият кабел е повреден, той трябва да бъде заменен само от DEWALT или оторизирана сервизна организация.

СМЯНА НА ЩАПЕЛ (САМО ЗА ОБЕДИНЕНОТО КРАЛСТВО И ИРЛАНДИЯ)

Ако трябва да се постави нов щепсел.

- Извършете безопасно стария щепсел.
- Свържете кафявия кабел към клемата под напрежение в щепсела.
- Свържете синия кабел към неутралния извод.
- Свържете жълтия/зеления проводник към заземяващата клемата. Следвайте инструкциите за монтаж, доставени с щепсели с добро качество. Препоръчителен предпазител: 13A.

▲ ПРЕДУПРЕЖДЕНИЕ: Никога не използвайте гнездо за осветление. Никога не свързвайте проводниците под напрежение (L) или неутралните (N) към заземяващия щифт, обозначен с E или \perp .

ИЗПОЛЗВАНЕ НА УДЪЛЖИТЕЛ

Ако е необходим удължителен кабел, използвайте одобрен 3-жилен удължителен кабел, подходящ за захранването на този инструмент (вижте Технически данни). Минималният размер на проводника е 1,5 mm²; максималната дължина е 30m. Когато използвате кабелна макара, винаги развивайте кабела напълно.

ФУНКЦИЯ ЗА ЗАТВОР (Фиг. С)

▲ ПРЕДУПРЕЖДЕНИЕ: За да избегнете наранявания на странични лица, пазете ги от духащи отломки. Прахосмукачката съдържа функция за издухване. Тя има възможност да издухва стърготини и други отпадъци. Тя може да се използва за издухване на прах и отломки от гаражи или от тераси и алеи. Следвайте стъпките по-долу, за да използвате прахосмукачката като духалка.

- Намерете отвора за издухване на прахосмукачката.
- Вкарайте единия край на маркуча в отвора за обдухване.
- Включете вакуума в режим „ON“.

СЪХРАНЕНИЕ (фиг. А)

Изпразнете резервоара за прах, вижте инструкциите ЗА ИЗПРАЗВАНЕ НА РЕЗЕРВОАРА ЗА ПРАХ.

Дочистете вакуума отвътре и отвън. вижте ПОЧИСТВАНЕ.

Вочистете или сменете филтрите, вижте ФИЛТЪР.

Съхранявайте маркуча и захранващия кабел, както е показано на фиг. А. Поставете уреда в сухо помещение и го обезопасете от неоторизирана употреба.

ДОПЪЛНИТЕЛНИ АКСЕСОАРИ

▲ПРЕДУПРЕЖДЕНИЕ: Тъй като аксесоари, различни от предлаганите от DEWALT, не са тествани с този продукт, използването на такива аксесоари с уреда може да бъде опасно.

За да намалите риска от нараняване, с този продукт трябва да се използват само аксесоари, препоръчани от DEWALT.

ПОЧИСТВАНЕ

Почистете външната част на прахосмукачката за мокро/сухо с топла кърпа, навлажнена с мек сапун. За да почистите резервоара:

1. Изпразнете остатъците.
2. Измийте резервоара обилно с топла вода и мек сапун.
3. Избършете със суха кърпа.

ОТСТРАНЯВАНЕ НА НЕИЗПРАВНОСТИ

▲ПРЕДУПРЕЖДЕНИЕ:

Незначителни проблеми често могат да бъдат отстранени, без да се обажда на службата за обслужване на клиенти.

ПРОБЛЕМ	РЕШЕНИЕ
Моторът не работи	<p>Проверете захранващия кабел, щепселите и контакта.</p> <p>Уверете се, че превключвателят за включване/изключване е в позиция ON ("I" или "II").</p>
Всмукателният капацитет намалява	<p>Отстранете запушванията в дюзата за пода, удължителните тръби, маркуча или филтъра.</p> <p>Сменете торбичката за прах за еднократна употреба.</p> <p>Проверете за правилен монтаж на филтъра.</p> <p>Проверете за правилен монтаж на филтъра.</p> <p>Почистете или сменете филтъра.</p> <p>Изпразнете резервоара за прах, вижте <i>EMPTY THE TANK</i> (Изпразване на резервоара) в раздел <i>OPERATING INSTRUCTIONS</i> (Инструкции за експлоатация).</p>
Прахосмукачката спира да работи	<p>Прекъснато е термично претоварване:</p> <ol style="list-style-type: none"> 1. Изключете прахосмукачката и изключете прахосмукачката от източника на захранване. 2. Изпразнете резервоара за прах, ако е необходимо. 3. Оставете устройството да се охлади. 4. Включете захранващия кабел в подходящ контакт и завъртете превключвателя за включване/изключване в положение ВКЛ. ("I" или "II"), за да тествате.
По време на прахосмучене излиза прах	<p>Проверете за правилно монтиране на филтрите.</p> <p>Уверете се, че филтрите не са повредени; ако е необходимо, сменете ги.</p> <p>Уверете се, че уплътненията на филтрите са на мястото си и са сигурни.</p> <p>Проверете го на вакуумната глава.</p>

▲ПРЕДУПРЕЖДЕНИЕ: Ако захранващият кабел е повреден, той трябва да бъде заменен от производителя, неговия сервизен агент или лице с подобна квалификация, за да се избегне опасност.

▲ПРЕДУПРЕЖДЕНИЕ: Този продукт НЕ се използва за филтриране на патогени, например *COVID-19*. Следвайте всички местни, щатски и федерални указания относно общите практики за почистване.



TECHNICKÉ ÚDAJE

Model	DXV34PTA
Příkon	220-240V / 50/60Hz / 1050W
Těsnící tlak	15kPa
Proud vzduchu	37,8L/S
Objem nádoby	30L*
Hadice	48mm x 2,1m
Přívodní šňůra	3Gx1,5mm ² / 3,05m

*Kapacita nádrže se vztahuje ke skutečnému objemu nádrže a neodráží kapacitu dostupnou během provozu.

Balení obsahuje

Balení obsahuje:

- 1 Vzduchová hadice 48 mm x 2,1 m (DXVA19-2558)
- 2 Prodlužovací tyč (DXVA19-1202)
- 1 Běžná tryska (DXVA19-1300)
- 1 Podlahová tryska (DXVA19-1900D)
- 1 Jednorázový sáček na prach (DXVA19-4204)
- 1 Čistý filtr Connect™ (DXVC4001)
- 1 Štěrbínová tryska (DXVA19-1400)
- 1 Balení obsahuje
 - 1 Síťka na příslušenství (DXVA19-5158)
 - 1 Pěnový filtr (DXVA20-1200A)
 - 1 Nástrojový adaptér (DXVA19-2780)
 - 1 Kulatý kartáč (DXVA19-2400)
 - 1 Loket (DXVA19-2800)
 - 1 Šroubový balíček
- 4 Kolečka

- Zkontrolujte, zda přístroj, jeho díly nebo příslušenství nenesou známky poškození, k němuž došlo během přepravy.
- Pozorně si tuto příručku přečtěte ještě před spuštěním přístroje.

DEFINICE: BEZPEČNOSTNÍ POKYNY

Níže uvedené definice popisují stupeň závažnosti jednotlivých signálních slov. Přečtěte si prosím tento manuál a věnujte pozornost následujícím symbolům.

▲ NEBEZPEČÍ: Oznamuje přímo hrozící nebezpečí.

Pokud mu není zabráněno, vyústí v úmrtí nebo závažné zranění.

▲ VAROVÁNÍ: Oznamuje potenciálně nebezpečnou situaci. Pokud jí není zabráněno, může vyústit v úmrtí nebo závažné zranění.

▲ POZOR: Oznamuje potenciálně nebezpečnou situaci. Pokud jí není zabráněno, může vyústit v méně nebo středně závažné zranění.

UPOZORNĚNÍ: Oznamuje stav nesouvisející se zraněním osob. Pokud mu není zabráněno, může vyústit v poškození majetku.

DŮLEŽITÉ BEZPEČNOSTNÍ POKYNY

▲ VAROVÁNÍ: Před použitím elektrospotřebičů dodržujte vždy základní bezpečnostní opatření, abyste snížili riziko vzniku požáru, úrazu elektrickým proudem a zranění osob včetně následujících:

PŘED POUÍTÍM SPOTŘEBIČE SI PŘEČTĚTE VŠECHNY POKYNY A ŘIĎTE SE JIMI.

▲ VAROVÁNÍ: Nevystavujte spotřebič dešti. Skladujte uvnitř.

- Odcházíte-li, nenechávejte spotřebič zapojený ke zdroji napájení. Když ho nepoužíváte a než ho budete obsluhovat, ho vypojte ze zásuvky.
- Nedovolte, aby byl přístroj používán jako hračka. Dávejte dobrý pozor, používají-li spotřebič děti nebo je-li v jejich přítomnosti.
- Přístroj používejte POUZE způsobem popsáným v této příručce. Používejte pouze příslušenství doporučená firmou DEWALT.
- Přístroj nepoužívejte s poškozenou šňůrou nebo zástrčkou. V případě, že spotřebič iádně nefunguje nebo pokud byl upuštěn, poškozen, ponechán venku nebo upuštěn do vody, vraťte ho do servisního centra.
- Nenoste či netahejte spotřebič za šňůru. Nepoužívejte šňůru jako rukojeť, nezavírejte přes ní dveře a netahejte ji okolo ostrých hran nebo rohů. Přístrojem přes šňůru nepřejíždějte. Šňůru nevystavujte horkým povrchům.
- Přístroj nevypojte ze sítě taháním za šňůru. K jeho vypojení uchopte zástrčku, nikoli kabel.
- Na zástrčku nebo přístroj nesahejte mokřma rukama.
- Do otvorů spotřebiče nevkládejte žádné předměty. Přístroj nepoužívejte v případě, že má zablokovaný nějaký otvor; odstraňte prach, chomáče, vlasy a cokoli by mohlo snižovat průchod vzduchu.
- Vlasy, volné oblečení, prsty a všechny části těla udržte mimo otvory a pohyblivé části spotřebiče.
- Před vypojením spotřebiče vypněte všechny ovládací prvky.
- Při používání na schodech postupujte obzvlášť opatrně.
- Přístroj nepoužívejte k vysávání hořlavých nebo zápalných tekutin jako benzínu, rovněž ho nepoužívejte v oblastech, kde se tyto tekutiny vyskytují.
- V suchých oblastech nebo při nízké relativní vlhkosti vzduchu může docházet k výbojům statické elektřiny. Je to pouze dočasné a neovlivňuje to používání vysavače. Ke snížení frekvence výbojů statické elektřiny vzduch zvlhčete pomocí zvlhčovací nádoby či zvlhčovače nebo použijte antistatickou hadici (standardní u některých modelů).
- K prevenci samozápalu vyprazdňujte nádobu po každém použití.
- **▲ POZOR:** Tento spotřebič není určen osobám (včetně dětí) se sníženými fyzickými, smyslovými nebo duševními schopnostmi nebo nedostatečnými zkušenostmi a znalostmi, pokud nejsou pod dozorem nebo nebyli vyškoleni v jeho používání osobou zodpovědnou za jejich bezpečnost. Děti musí být pod dozorem, aby si se spotřebičem nehrály.

TYTO POKYNY SI USCHOVEJTE DOPLŇKOVÁ BEZPEČNOSTNÍ OPATŘENÍ

- Nevysávejte nic hořícího nebo doutnajícího jako cigarety, zápalky či horký popel.
- Nepoužívejte spotřebič k vysávání zápalných výbušných materiálů jako uhlí, zrn nebo jiného jemného zápalného materiálu.
- Nepoužívejte k vysávání nebezpečných, toxických nebo karcinogenních materiálů jako azbest nebo pesticidy.
- Nikdy nevysávejte výbušné tekutiny (např. benzín, naftu, nepný olej, ředidlo atd.), kyseliny nebo rozpouštědla.
- Vysavač nepoužívejte bez řádně umístěných filtrů kromě případů popsanych v oddíle Vysávání zamokra.
- Některá dřeva mohou obsahovat konzervační látky, které mohou být toxické. Při práci s těmito materiály buďte zvláště obezřetní, abyste zabránili jejich vdechnutí a styku s kůží. Od dodavatele materiálů si vyžádejte dostupné bezpečnostní informace a řiďte se jimi.
- Vysavač nepoužívejte jako schůdek žebříku.
- Na vysavač nepokládejte žádné těžké předměty.
- Prodlužovací šňůra musí mít adekvátní velikost vodiče kvůli bezpečnosti.
- V případě, že je nutno prodlužovací šňůru používat venku, musí být označena.

▲ VAROVÁNÍ:

Ke snížení expozice těmto chemickým látkám, noste schválené bezpečnostní prostředky jako protiprašné masky speciálně vyrobené k filtraci mikroskopických částic. Pro vaši bezpečnost a komfort jsou na vašem vysavači následující varující etikety.

▲ VAROVÁNÍ:

• KE SNÍŽENÍ RIZIKA ÚRAZU SI MUSÍ UŽIVATEL PŘEČÍST TENTO NÁVOD K OBSLUZE. NENECHÁVEJTE SPOTŘEBIČ BĚŽET BEZ DOZORU. NEPOUŽÍVEJTE VACUUM UNATTENDED, POKUD JE ZAPNOUT, ZÁPALNÉ NEBO HORKÉ MATERIÁLY. NEPOUŽÍVEJTE V PROSTŘEDÍ VÝBUŠNÉHO PRACHU, KAPALIN NEBO PAR. ELEKTRICKÉ PŘÍSTROJE ZPŮ SOBUJÍ OBLUKY NEBO JISKRY, KTERÉ MOHOU VÉST KE VZNIKU POŽÁRU NEBO VÝBUCHU. NEPOUŽÍVEJTE U ČERPACÍCH STANIC NEBO TAM, KDE JE USKLADNĚN NEBO VYDÁVÁN BENZÍN. NEPOUŽÍVEJTE K VYSÁVÁNÍ TOXICKÝCH, KARCINOGENNÍCH NEBO JINÝCH, ZDRAVÍ NEBEZPEČNÝCH MATERIÁLŮ JAKO AZBEST NEBO PESTICIDY. VŽDY NOSTE ŘÁDNOU OCHRANU OČÍ A DÝCHÁNÍ. KE SNÍŽENÍ RIZIKA ÚRAZU ELEKTRICKÝM PROUDEM NEVYSTAVUJTE DEŠTI. SKLADUJTE UVNITŘ. PŘI OBSLUZE POUŽÍVEJTE POUZE SHODNÉ NÁHRADNÍ DÍLY. NEPOUŽÍVEJTE JAKO SCHŮDEK ŽEBŘÍKU.

TYTO PROVOZNÍ POKYNY SI USCHOVEJTE PROVOZNÍ POKYNY VYBALENÍ A SESTAVENÍ

1. Zatáhněte za západky u víka směrem ven, odstraňte agregát a příslušenství, která mohou být dodána v nádobě. Přišroubujte robustní pogumovaná kolečka podle pokynů této příručky.
2. Před výměnou pohonného agregátu si přečtěte tento manuál a ujistěte se, že máte pro úklid nainstalované správné filtry.
3. Vyměňte pohonný agregát a palcem zatlačte všechny západky, aby zaklaply na své místo.
4. Ujistěte se, že jsou všechny záklopy bezpečně zavřené.
5. Do vstupu do nádoby vložte konec hadice.
6. Připojte prodlužovací tyč ke konci příslušenství hadice. Trochu zatlačte, aby bylo pevně připevněné.
7. Připojte jedno z čistících příslušenství (podle vašich požadavků na úklid) na prodlužovací tyč. Lehce jím otočte k upevnění spojení.
8. Zapojte kabel do zásuvky ve zdi. Váš vysavač je připraven k použití.

▲ VAROVÁNÍ:

Ke snížení rizika vzniku požáru nebo výbuchu nepoužívejte tento vysavač v oblastech s hořlavými plyny, parami nebo výbušným plynem ve vzduchu. K hořlavým plynům či parám patří mimo jiné: kapalina do zapalovače, čisticí prostředky na bázi rozpouštědel, olejové barvy, benzín, alkohol nebo aerosolové spreje. K výbušnému prachu se mimo jiné počítá: uhlí, hořčík, hliník a obilný nebo stělný prach. Nevysávejte výbušný prach, hořlavé nebo zápalné kapaliny či horký popel. Nepoužívejte tento vysavač ke stříkání jakýchkoli hořlavých nebo zápalných kapalin. Ke snížení rizika pro zdraví z par nebo prachu nevysávejte toxické materiály.

DŮLEŽITÁ ZABEZPEČENÍ

Symbol na výrobku nebo obalu označuje, že s produktem nelze zacházet jako s komunálním odpadem. Je nutné ho odevzdat do sběrného dvora k recyklaci nebo k rozebrání na elektrické a elektronické součástky. Zajištěním správného zacházení s výrobkem to pomůže zabránit negativním dopadům na životní prostředí a zdraví, které mohou být důsledkem vyhození produktu jako běžného odpadu. Pro další informace o recyklaci kontaktujte místní úřady, odpadovou službu nebo prodejnu, kde jste zboží zakoupili.

Ochrana životního prostředí



Trídění odpadu. Výrobky a baterie označené tímto symbolem nesmíte vyhazovat do běžného komunálního odpadu.

Výrobky a baterie obsahují materiály, které lze znovu získat nebo je recyklovat a snížit tak poptávku po surovinách. Recyklujte prosím elektrospotřebiče a baterie podle místních předpisů. Další informace

Popis (Obr. A)

▲ VAROVÁNÍ: Nikdy elektrospotřebiči nebo jeho části nepozměňujte. Mohlo by dojít k poškození nebo úrazu.

- 1 Horní rukojeť/omotání šňůry
- 2 Přívodní šňůra
- 3 Vypínač On/Off
- 4 Agregát vysavače
- 5 Západka nádoby
- 6 Nádoba
- 7 Sací hadice
- 8 Kolečka
- 9 Filtry
- 10 Připevňená hadice
- 11 Držák na hadici
- 12 Sáček

MONTÁŽ A NASTAVENÍ (Obr. A–C)

▲ VAROVÁNÍ: Než přistoupíte k instalaci, odstraňování příslušenství, seřizování nebo změně nastavení či opravám, ke snížení rizika úrazu spotřebiči vypněte a vypojte ze zdroje napájení. Náhodné zapnutí může způsobit zranění.

▲ VAROVÁNÍ: Filtry 9 musí být vždy při vysávání na svém místě, kromě situací popsaných v oddíle Vysávání zamokra v Provozu. Při vysávání jemného prachu můžete použít dodatečný papírový nebo físový sáček ke snadnějšímu vyprázdňování nádoby.

1. Použijete-li volitelný papírový nebo físový sáček 12, nainstalujte ho, jak je zobrazeno na obrázku B.

POZNÁMKA: Dávejte pozor, abyste sáček neprotrhli. Umístěte sáček bezpečně do vstupu 10 tak, aby byl dobře utěsněn pro co nejlepší výkon při vysávání prachu

2. Umístěte agregát 4 na nádobu a zajistěte uzavřením západek na nádobě 5.
3. Vložte konec hadice 10 do svorky ve vakuovém portu hadice 7 a konec hadice utáhněte k nádrži.

PROVOZ**Pokyny k obsluze (Obr. A, D, E)**

▲ VAROVÁNÍ: Vždy dodržujte bezpečnostní pokyny a platné předpisy.

▲ VAROVÁNÍ: Než přistoupíte k instalaci, odstraňování příslušenství, seřizování nebo změně nastavení či opravám, ke snížení rizika úrazu spotřebiči vypněte a vypojte ze zdroje napájení. Náhodné zapnutí může vést k úrazu.

1. Zapojte kabel do vhodné zásuvky.
2. Zapněte vypínač 3 otočením do polohy ON (I).
3. Váš vysavač prachu DEWALT je vybaven systémem připojení DEWALT. Umožňuje to rychlé, bezpečné 7 propojení sací hadice a pohonné jednotky. Konektor 13 se připojí přímo ke kompatibilním přístrojům DEWALT nebo pomocí adaptéru (dostupného u vašeho místního dodavatele výrobků DEWALT). Podrobnosti o dostupných adaptérech najdete v oddíle Příslušenství.

POZNÁMKA: Používáte-li adaptér, zajistěte, aby byl pevně připojen k výstupu přístroje podle níže uvedených kroků.

PROVOZNÍ POKYNY**Instalace koleček (Obr. A, F)**

1. Vraťte prachovou nádrž, vezměte kolečko a vyrovnejte místo pro klesání dna nádrže. Zajistěte pomocí dodaných šroubů.

2. Celek nádoby na prach otočte zpět.

Odstraňte/vyměňte použitý sáček na sběr prachu (Obr. A)

▲ VAROVÁNÍ: Při zacházení s použitými sáčky na prach byste měli používat osobní ochranné prostředky jako protiprašné masky a rukavice.

1. Vysavač vypněte a vypojte šňůru ze zásuvky
2. Otevřete západky nádoby 5 a odstraňte agregát vysavače 4
3. Sáček opatrně vyjměte ze vstupu 10
4. Při vyjímání sáčku z přístroje pevně utěsněte jeho otvor.

5. Sáček s odpadem vyhodte do příslušného odpadu podle zákonných předpisů.

Vysávání zamokra (Obr. A, G)

▲ VAROVÁNÍ: V případě, že z přístroje vytéká pěna nebo tekutina, ho ihned vypněte.

▲ POZOR: Pravidelně čistěte zařízení k omezení hladiny vody a prohlédněte ho, zda není poškozené. Viz Obr. G

▲ UPOZORNĚNÍ: NEODSTRAŇUJTE kuličkový plovák 14, vysavač byste tím poškodili. Kuličkový plovák zamezuje vstupu vody do motoru. Před použitím vysavače pro vysávání zamokra:

- Zajistěte, aby byla nádoba prázdná a nebylo v ní příliš prachu
- Odstraňte filtry 9.

▲ VAROVÁNÍ: Přístroj s tímto nastavením nepoužívejte pro třídu prachu L.

Vyprázdnění nádoby (Obr. A, G)

Když je nádoba plná, ventil kuličkového plováku 14 zablokuje vzduch proudící do motoru a najednou se změni jeho zvuk. Jakmile zní motor vysokým tónem a zastaví se proudění vzduchu/vody, nádobu vyprázdněte.

1. Vysavač vypněte a vypojte šňůru ze zásuvky.
2. Otevřete západky nádoby 5 a odstraňte agregát vysavače 4.
3. Obsah nádoby 6 vyprázdněte do příslušného kontejneru nebo odtoku.

Zpět k provozu zasucha (Obr. A)

1. Nádobu vyprázdněte podle pokynů v oddíle.
2. Otočte nádobu vzhůru nohama, dokud nevyschne. K vysávání zasucha NEPOUŽÍVEJTE mokrou nádobu.
3. Agregát vysavače 4 umístěte na vodorovný povrch, dokud neoschne
4. Až bude agregát suchý, znovu nasadte filtry. Viz Filtry a údržba.
5. Až bude nádoba suchá, umístěte agregát 4 na nádobu a zajistěte uzavřením západek na nádobě 5.

Vypnutí/přeprava (Obr. A)

1. Vypínač On/Off dejte do polohy OFF 3
2. Přístroj vypojte ze sítě
3. Přívodní šňůru 2 uložte tak, že ji omotáte kolem horní rukojeti / omotání šňůry 1, jak je zobrazeno.
4. Při přepravě ve vozidlech přístroj řádně zajistěte

ÚDRŽBA

Váš spotřebič DEWALT je určen k dlouhodobému provozu s minimální údržbou. Stálý uspokojivý chod přístroje závisí na řádné péči a pravidelném čištění.

▲ VAROVÁNÍ: Než přistoupíte k instalaci, odstraňování příslušenství, seřizování nebo změně nastavení či opravám, ke snížení rizika úrazu spotřebič vypněte a vypojte ze zdroje napájení. Náhodné zapnutí může vést k úrazu.

▲ VAROVÁNÍ: Co se týče uživatelské obsluhy, přístroj je nutno rozmontovat a vyčistit a poskytnout mu servis, jak je to jen rozumně možné, aniž by to vedlo k riziku pro údržbáře a ostatní osoby. K adekvátním preventivním opatřením patří dekontaminace před demontáží, existence místního větrání s filtrací vypouštěných plynů v oblastech, kde se spotřebič demontuje, úklid místa údržby a vhodné osobní ochranné prostředky.

- Výrobce nebo pověřená osoba musí provést technickou inspekci alespoň jednou do roka. Skládá se například z kontroly filtru, zda není poškozený, vzduchového těsnění spotřebiče a řádného chodu mechanismu ovládání.
- Při servisu nebo opravárenských pracích je třeba vyhodit všechny kontaminované předměty, které nelze uspokojivě vyčistit. Musí se zlikvidovat v nepropustných pytlích v souladu se všemi předpisy pro zneškodnění takového odpadu.

Filtr (Obr. A, H, I)

Péče o filtry

Filtry v tomto vysavači mají dlouhou životnost. K efektivnímu snížení oběhu prachu na minimum MUSÍ být filtry řádně nainstalovány a být v dobrém stavu.

▲ VAROVÁNÍ: Při zacházení s filtry byste měli používat osobní ochranné prostředky jako masku proti prachu a rukavice.

Vyjmutí filtrů

1. Otočte vypínačem přístroje 3 do polohy OFF (O) a vypojte šňůru ze zásuvky.
2. Uvolněte západky nádoby 5 a odstraňte agregát vysavače 4 z nádoby. Agregát umístěte obrácenou stranou na vodorovný povrch.
3. Každým filtrem 9 otočte proti směru hodinových ručiček tak, že ho uchopíte za plastové víčko podle vyobrazení. Zajistěte přitom, aby odpad nenapadal do montážního otvoru.

POZNÁMKA: Postupujte opatrně, abyste nepoškodili materiál filtru

4. Pokud je třeba vyčistit spodní stranu agregátu vysavače 4, použijte k tomu hadřík navlhčený vodou a jemným mýdlem a nechte usušit. Hadřík vyhodte do příslušného odpadního kontejneru.
5. Filtry zkontrolujte, zda nejsou opotřebené, roztržené nebo jinak poškozené.

POZNÁMKA: Máte-li pochyby o stavu filtrů, MUSÍTE je vyměnit. Pokud jsou poškozené, dále je NEPOUŽÍVEJTE.

▲ VAROVÁNÍ: Ke kartáčování nebo čištění filtrů nikdy nepoužívejte stlačený vzduch. Mohli byste poškodit membránu filtru a přes filtr by pak mohl vnikat prach. Podle potřeby s ním jemně zaklepejte o pevný povrch nebo ho vypláchněte vlažnou vodou a nechte usušit na vzduchu. Čištění filtrů není obecně nutné, i když filtr pokrývá prach. Automatický systém čištění filtrů bude pracovat na maximální výkon a dále fungovat. Pokud je membrána filtru viditelně poškozená, filtr vyměňte. Filtry obvykle vydrží šest až dvanáct měsíců, podle používání a péče.

Instalace filtrů

1. Zkontrolujte, zda je správně a bezpečně umístěno těsnění filtru 15.
2. Vyrovnajte závitů filtru 16 se závitů agregátu a za použití mírné síly filtrem otočte po směru hodinových ručiček k utažení.

POZNÁMKA: Postupujte opatrně, abyste nepoškodili materiál filtru.

3. Umístěte agregát 4 na nádobu a zajistěte uzavřením západek na nádobě 5.

POZNÁMKA: Při provádění suchého sběru vyjměte pěnový filtr a nahraďte jej kazetovým filtrem.

Instalace pěnového filtru

Při přechodu ze suchého sběru na mokrý sběr vyžaduje tento čistič jen malou přestavbu. Malé množství kapaliny lze vysát pomocí čistého kazetového filtru. Při vysávání velkého množství kapaliny vyjměte kazetový filtr a všechny jednorázové nebo opakovaně použitelné filtry částic, abyste dosáhli optimálních výsledků. Nainstalujte pěnový filtr 17, jak je znázorněno na obrázku J. Nainstalovaný pěnový filtr zajistí ochranu motoru tím, že sníží pravděpodobnost mženi ve vysávání vzduchu nebo stékání kapaliny kolem víka.

Vyprázdnění nádoby (Obr. K)

▲ VAROVÁNÍ: Ke snížení rizika úrazu při náhlém zapnutí vypojte před vysypáním nádoby s prachem přívodní šňůru.

1. Celek pohonného agregátu z přístroje k vysávání zasucha/zamokra vyjmete tak, že zatáhnete za západky víka umístěné po stranách spotřebiče směrem ven.

Vyndejte celek pohonného agregátu. Obsah nádoby vysypte do řádného kontejneru na odpad

2. Obsah nádoby vysypte do řádného kontejneru na odpad.

3. Kapaliny mohou být vypuštěny skrz vypouštěcí nádrž 18. Pro vyprázdnění vypněte spotřebič a vytáhněte zástrčku ze zásuvky. Sejměte vypouštěcí uzávěr a uložte proudy tekutého odpadu do vhodného odpadu. Po vyprázdnění nádrže vraťte vypouštěcí uzávěr do původní polohy. Chcete-li pokračovat v používání, zapojte kabel do elektrické zásuvky a zapněte spotřebič.

Připojení elektrického nářadí (obr. L, M)

1. Zkontrolujte, zda je ovládací spínač 3 v poloze „Off“ a napájení není připojeno.

2. Existují 2 možnosti pro další krok.

Možnost 1: Nejprve připojení nástroje k podtlaku, pak připojte napájení a zapněte / vypněte v tomto okamžiku přepněte spínač 3 do polohy ON (I) vysavač začne pracovat.

Možnost 2: Nejprve připojení nástroje k podtlaku, připojte napájení a zapněte / vypněte přepněte spínač 3 do polohy ON (I I) nářadí začne pracovat.

▲ VAROVÁNÍ: Používejte zásuvku vysavače pouze pro připojení externího nářadí. Vakuum se automaticky zapíná a vypíná přes připojené elektrické nářadí.

Připojené zatížení nářadí nesmí překročit hodnotu maximální připojené zatížení PA vysavače zásuvka. Dodržujte také návod k obsluze a bezpečnostní varování připojeného elektrického nářadí zásuvku vysavače.

Doporučení: Vysavač vždy používejte prostřednictvím proudového chrániče (RCD) se jmenovitým zbytkem proud 200mA nebo méně.

Zkontrolujte, zda je spínač elektrického nářadí v poloze „Vypnuto“. před připojením nástroje k podtlaku. Po vypnutí nářadí připojeného k podtlaku vysavačem běží vysavač cca. 15 sekund a pak se automaticky vypne.

ELEKTRICKÁ BEZPEČNOST

1. **Zástrčky elektrického nářadí musí b t shodné se zásuvkou Nikdy zástrčku nijak neupravujte.**

Nepouívejte žádné adaptérové zástrčky s uzemněn m (uzemněn m) elektrick m nástrojem.

Neupravené zástrčky a vhodné zásuvky snižují riziko úrazu elektrickým proudem.

2. **Vyvarujte se styku těla s uzemněn mi nebo uzemněn mi povrchy, jako jsou potrubí, radiátory, sporáky a ledničky.** Pokud je vaše tělo uzemněno nebo zemněno, existuje zvýšené riziko úrazu elektrickým proudem.

3. **Elektrické nářadí nevystavujte působení deště nebo vlhka.** Vniknutí vody do elektrického nářadí zvyšuje riziko úrazu elektrickým proudem.

4. **Nezneuívajte šňůru. Nikdy nepouívejte šňůru k přenášení, tahání nebo odpojování elektrického nářadí. Šňůru udr ujte mimo dosah tepla, oleje, ostr ch hran nebo pohybliv ch částí.** Poškozené nebo zamotané kabely zvyšují riziko úrazu elektrickým proudem.

5. **Při používání elektrického nářadí venku pou ívejte prodlu ovací kabel vhodn pro venkovní použití snižuje riziko úrazu elektrickým proudem.**

6. **Ijestli e je provoz elektrického nářadí ve vlhkém prostředí neodvratn , pou íjte napájení chráněné proudov m chráničem (RCD).** Použití proudového chrániče snižuje riziko úrazu elektrickým proudem.

7. Elektromotor je navržen pouze pro jedno elektrické napětí. Vždy zkontrolujte, zda napájecí napětí odpovídá napětí uvedenému na typovém štítku. Pokud je napájecí kabel poškozený, jeho výměnu musí provést pouze společnost DEWALT nebo autorizovaná servisní organizace.

VÝMĚNA SÍŤOVÉ ZÁSTRČKY (POUZE V BRITÁNII A IRSKU)

Pokud je třeba namontovat novou síťovou zástrčku:

- Bezpečně zlikvidujte starou zástrčku.
- Připojte hnědý vodič ke svorce pod napětím v zástrčce.
- Připojte modrý vodič k nulové svorce.
- Připojte žlutý/zelený vodič k zemnicí svorce.

Postupujte podle montážních instrukcí dodávaných s kvalitními zástrčkami. Doporučené pojistky: 13 A.

▲ VAROVÁNÍ: Nikdy nepoužívejte světelnou zásuvku. Nikdy nepřipojujte živý (L) nebo neutrální (N) vodič k zemnicímu kolíku označenému E nebo \perp .

POUŽITÍ PRODLUŽOVACÍHO KABELU

Pokud je nutný prodlužovací kabel, použijte schválený 3-žilový prodlužovací kabel vhodný pro příkon tohoto nářadí (viz **Technické údaje**). Minimální velikost vodiče je 1,5 mm²; maximální délka je 30 m. Při použití kabelového navijáku kabel odvíjejte vždy úplně.

Funkce foukání (Obr. C)

Váš vysavač je vybaven funkcí foukání. Je schopný odfoukávat piliny a jiný odpad. Lze ho používat k vyfoukání prachu nebo odpadu ven z garáží, dvorů nebo parkovacích cest. Chcete-li svůj vysavač použít jako fukar, postupujte podle následujících kroků.

1. Na svém vysavači najdete vstup k foukání.
2. Jeden konec hadice o rozměrech vložte do tohoto vstupu určeného k foukání.
3. Vysavač zapněte (ON).

Uskladnění (Obr. A)

1. Nádoby vyprázdněte podle pokynů v oddíle Vyprázdnění nádoby v Provozu.
2. Vysavač vyčistěte uvnitř i zvenku. Viz Čištění.
3. Čištění nebo výměna filtrů viz Filtry.
4. Sací hadici a přívodní šňůru uskládnuje podle vyobrazení. Spotřebič uložte do suché místnosti a zabezpečte ho před použitím nepovolnými osobami.

Volitelné příslušenství

▲ VAROVÁNÍ: Jelikož jiná příslušenství než ta v nabídce společnosti DEWALT nebyla u tohoto výrobku testována, použití takových příslušenství s tímto přístrojem může být nebezpečné. Ke snížení rizika úrazu je nutno s tímto výrobkem používat pouze příslušenství doporučená firmou DEWALT.

ČIŠTĚNÍ

Aby váš vysavač k vysávání zasucha/zamokra vypadal co nejlépe, čistěte ho zvenčí hadičkem navlhčeným teplou vodou a jemným mýdlem.

Čištění nádoby:

1. Vysypte odpad.
2. Pečlivě nádobu vymyjte teplou vodou a jemným mýdlem.
3. Vytřete suchým hadičkem.

ŘEŠENÍ PROBLÉMŮ

▲ VAROVÁNÍ:

Menší problémy lze často vyřešit bez pomoci zákaznických služeb

PROBLÉM	ŘEŠENÍ
Neběží motor	Zkontrolujte přívodní šňůru, zástrčku a zásuvku. Zapněte vypínač otočením do polohy ON (1).
Kapacita sání je nižší	Odstraňte překážky ze sací hubice, hadice nebo filtrů.
	Vyměňte papírový nebo flisový sáček.
	Zkontrolujte, zda jsou řádně nainstalovány filtry. Vyčistěte nebo vyměňte filtry.
Vysavač přestal fungovat	Nádobu vyprázdněte podle provozních pokynů v oddíle Vyprázdnění nádoby.
	Byla aktivována tepelná pojistka proti přetížení: 1. Vysavač vypněte a vypojte ze zdroje napájení. 2. Podle potřeby nádobu vyprázdněte. 3. Nechte spotřebič vychladnout. 4. Zapojte přívodní šňůru do vhodné zásuvky a zapněte přístroj otočením vypínače do polohy ON (1) k vyzkoušení.
Při vysávání proudí ven prach	Zkontrolujte, zda jsou řádně nainstalovány filtry.
	Zkontrolujte, zda nejsou filtry poškozené; vyměňte je, je-li to nutné.
	Zkontrolujte, zda jsou řádně umístěna a zabezpečena těsnění filtru.
	Zkontrolujte uložení vakuové hlavy.

▲ VAROVÁNÍ: Je-li poškozená přívodní šňůra, musí ji k zamezení nebezpečí nahradit výrobce, jeho servisní zástupce nebo podobně kvalifikovaná osoba.

▲ VAROVÁNÍ: Tento produkt NENÍ určen k filtrování patogenů, například COVID-19. Postupujte podle všech místních, státních a federálních pokynů k obecným postupům čištění.



ŠPECIFIKÁCIA PRODUKTU

Model	DXV30SAPTA
Napájanie	220-240V / 50/60Hz / 1050W
Tlak tesnenia	15kPa
Prúdenie vzduchu	37,8L/S
Kapacita nádrže	30L*
Hadica	48mm x 2,1m
Napájací kábel	3Gx1,5mm ² / 3,05m

* Kapacita nádrže sa vzťahuje na skutočný objem nádrže a nezohľadňuje kapacitu dostupnú počas prevádzky.

OBSAH BALENIA

Balenie obsahuje:

- 1 Hadica 48mm x 2,1m (DXVA19-2558)
- 2 Predlžovacia trubica (DXVA19-1202)
- 1 Tryska na škáry (DXVA19-1400)
- 1 Nástavec na nástroje (DXVA19-1300)
- 1 Tryska na podlahu (DXVA19-1900D)
- 1 Sietovaná taška na príslušenstvo (DXVA19-5158)
- 1 Jednorazová prachová taška (DXVA19-4204)
- 1 Filter Clean Connect™ (DXVC4001)
- 1 Pénový filter (DXVA20-1200A)
- 1 Adaptér na nástroj (DXVA19-2780)
- 1 Kruhová kefa (DXVA19-2400)
- 1 Ohyb (DXVA19-2800)
- 1 Návod na obsluhu
- 1 Balenie skrutiek
- 4 Kolieska

- Skontrolujte poškodenie nástroja, častí alebo príslušenstva, ktoré mohli vzniknúť počas prepravy.
- Urobte si čas na dôkladné prečítanie a pochopenie tohto návodu pred použitím.

DEFINÍCIE: BEZPEČNOSTNÉ POKYNY

Nižšie uvedené definície popisujú úroveň závažnosti pre každé signalizačné slovo. Prečítajte si prosím návod a venujte pozornosť týmto symbolom.

▲ NEBEZPEČENSTVO: Označuje bezprostredne nebezpečnú situáciu, ktorá, ak sa jej nevyhne, môže spôsobiť smrť alebo vážne zranenie.

▲ VAROVANIE: Označuje potenciálne nebezpečnú situáciu, ktorá, ak sa jej nevyhne, môže spôsobiť smrť alebo vážne zranenie.

▲ OPATRNE: Označuje potenciálne nebezpečnú situáciu, ktorá, ak sa jej nevyhne, môže spôsobiť mierne alebo stredné zranenie.

POZORNOSŤ: Označuje praktiku, ktorá nie je spojená s osobným zranením, ale ak sa jej nevyhne, môže spôsobiť poškodenie majetku.

DÔLEŽITÉ BEZPEČNOSTNÉ POKYNY

▲ VAROVANIE: Pri používaní elektrických prístrojov vždy dodržiavajte základné bezpečnostné opatrenia na zníženie rizika požiaru, elektrického šoku a osobného zranenia, vrátane nasledujúcich:

PRED POUÍTÍM ZARIADENIA SI PREČÍTAJTE A POSTUPOJTE PODĽA VŠETKÝCH POKYNOV.

▲ VAROVANIE: Na zníženie rizika elektrického šoku. Nevystavujte dažďu. Ukladajte v interiéri.

- Nenechávajte prístroj pripojený k napájaciemu zdroju. Odpojte ho zo zásuvky, keď sa nepoužíva a pred servisom.
 - Nepovoľujte používanie prístroja ako hračky. Buďte pozorní, keď prístroj používajú deti alebo keď je v ich blízkosti.
 - Používajte prístroj IBA podľa popisu v návode. Používajte iba príslušenstvo odporúčané spoločnosťou DEWALT.
 - Nepoužívajte prístroj s poškodeným káblom alebo zástrčkou. Ak prístroj nefunguje správne, alebo ak bol spadnutý, poškodený, nechali ho vonku, alebo spadol do vody, vráťte ho do servisného strediska.
 - Neťahajte ani nenoste prístroj za kábel, nepoužívajte kábel ako rukoväť, nezatvárajte cez ne dvere, ani neťahajte kábel okolo ostrých hrán alebo rohov. Nechajte prístroj bežať mimo kábla a udrzte ho mimo horúcich povrchov.
 - Neodpojujte prístroj tahaním za kábel. Na odpojenie uchopte zástrčku, nie kábel.
 - Neháňajte zástrčku ani prístroj s mokrymi rukami.
 - Nepchájte žiadne predmety do otvorov prístroja. Nepoužívajte prístroj, ak je otvor zablokovaný; udrzte ho čistý od prachu, vlákien, vlasov a iných predmetov, ktoré môžu znížiť prietok vzduchu.
 - Udrzte vlasy, voľné oblečenie, prsty a všetky časti tela mimo otvorov a pohyblivých častí.
 - Vypnite všetky ovládacie prvky pred odpojením prístroja.
 - Buďte zvlášť opatrní pri čistení na schodoch.
 - Nepoužívajte prístroj na vysávanie horľavých alebo zápalných kvapalín, ako je benzín, ani na používanie v oblastiach, kde sa nachádzajú horľavé alebo zápalné kvapaliny.
 - Statické výboje sú možné v suchých oblastiach alebo keď je relatívna vlhkosť vzduchu nízka. Toto je dočasné a neovplyvňuje používanie vysávača. Na zníženie frekvencie statických výbojov pridajte vlhkosť do vzduchu pomocou nádoby, inštalovaného zvlhčovača alebo použite hadicu (štandard na niektorých modeloch).
 - Aby sa predišlo samovznieteniu, vyprázdňte nádobu na prach po každom použití.
- ▲ OPATRNE:** Zariadenie nie je určené na používanie osobami (vrátane detí) so zníženými fyzickými, zmyslovými alebo duševnými schopnosťami, alebo s nedostatkom skúseností a znalostí, pokiaľ neboli pod dohľadom alebo poučením o používaní zariadenia osobou zodpovednou za ich bezpečnosť. Deti by mali byť pod dohľadom, aby sa zabezpečilo, že sa nebudú hrať so zariadením.

Slovenčina

UCHOVÁVAJTE TENTO NÁVOD ĎALŠIE BEZPEČNOSTNÉ PRAVIDLÁ

- Nezberajte nič, čo horí alebo dymí, ako cigarety, zápalky alebo horúce popola.
- Nepoužívajte na vysávanie horľavých výbušných materiálov, ako sú uhlie, obilie alebo iné jemne rozdelené horľavé materiály.
- Nepoužívajte na vysávanie nebezpečných, toxických alebo karcinogénnych materiálov, ako je azbest alebo pesticídy.
- Nikdy neberte výbušné kvapaliny (napr. benzín, naftu, vykurovací olej, riedidlo na farby atď.), kyseliny alebo rozpúšťadlá.
- Nepoužívajte vysávač bez filtrov, pokiaľ nie je popísané v sekcii **APLIKÁCIE NA VYSÁVANIE VLHK CH PREDMETOV**.

- Niektoré drevo obsahuje konzervačné látky, ktoré môžu byť toxické. Buďte opatrní, aby ste predišli vdýchnutiu a kontaktu s pokožkou pri práci s týmito materiálmi. Požiadajte a riadte sa akýmkoľvek bezpečnostnými informáciami od dodávateľa materiálu.
- Nepoužívajte vysávač ako rebrík.
- Neumiestňujte ťažké predmety na vysávač.
- Predlžovací kábel musí mať dostatočnú veľkosť vodiča na zabezpečenie bezpečnosti.
- Ak sa predlžovací kábel má používať vonku, musí byť označený.

▲ VAROVANIE:

Na zníženie expozície týmto chemikáliám noste schválené ochranné vybavenie, ako sú prachové masky, ktoré sú špeciálne navrhnuté na filtrovanie mikroskopických častíc.

▲ VAROVANIE:

- NA ZNÍŽENIE RIZIKA ZRANENIA SI POUŽÍVATEĽ MUSÍ PREČÍTAŤ NÁVOD NA OBSLUHU. NENECHÁVAJTE VYSÁVAČ BEZ DOZORU, KEĎ JE ZAPNUTÝ. NEPOUŽÍVAJTE NA NASÁVANIE HORĽAVÝCH, ZÁPALNÝCH ALEBO HORÚCICH MATERIÁLOV. NEPOUŽÍVAJTE V BLÍZKOSTI VÝBUŠNÉHO PRACHU, KVAPALÍN ALEBO PÁR. ELEKTRICKÉ ZARIADENIA VYTVARAJÚ ELEKTRICKÉ OBLOHY ALEBO ISKRY, KTORÉ MÔŽU SPÔSOBIŤ POŽIAR ALEBO VÝBUCH. NEPOUŽÍVAJTE NA ČERPACÍCH STANICIACH ANI NA MIESTACH, KDE SA SKLADUJE ALEBO DISPENZUJE BENZÍN. NEPOUŽÍVAJTE NA VYSÁVANIE TOXICKÝCH ALEBO KARCINOGENNÝCH LÁTOK ANI INÝCH ZDRAVIU NEBEZPEČNÝCH MATERIÁLOV, AKO JE AZBEST ALEBO PESTICÍDY. VŽDY POUŽÍVAJTE VHODNÚ OCHRANU OČÍ A DÝCHANIA. NA ZNÍŽENIE RIZIKA ELEKTRICKÉHO ŠOKU NEVYSTAVUJTE DAŽĎU. UKLADAJTE V INTERIÉRI. PRI SERVISE POUŽÍVAJTE IBA IDENTICKÉ NÁHRADNÉ DIELY. NEPOUŽÍVAJTE AKO STUPAČKU.

UCHOVÁJTE TIETO POKYNY NÁVOD NA POUŽÍVANIE

ZHRNUTIE VYBALENIA A NASTAVENIA

1. Potiahnite západky veka smerom von, odstráňte motorovú hlavu a niektoré príslušenstvo, ktoré mohlo byť dodané v nádrži.
2. Pripojte robustné pogumované kolieska podľa pokynov uvedených v tomto návode.
3. Pred opätovným nasadením motorovej hlavy si pozrite tento návod, aby ste sa uistili, že máte nainštalované správne filtre pre čistiacu prevádzku.
4. Vložte späť motorovú hlavu a prilačte palcom na každú západku, kým pevne nezapadne na svoje miesto. Uistite sa, že všetky západky veka sú pevne zaistené.
5. Vložte koniec hadice do vstupu nádrže.
6. Pripojte predlžovacie rúrky ku koncu hadice. Použite mierny tlak, kým spojenie nie je pevné.
7. Pripojte jedno z čistiacich príslušenstiev (v závislosti od požiadaviek čistenia) k predlžovacím rúrkam. Miernie otočte, aby ste upevnili spojenie.
8. Zasuňte napájací kábel do zásuvky v stene. Vysávač je pripravený na použitie.

▲ VAROVANIE:

Na zníženie rizika požiaru alebo výbuchu nepoužívajte tento vysávač v oblastiach, kde sa vo vzduchu nachádzajú horľavé plyny, pary alebo výbušný prach. Medzi horľavé plyny alebo pary patria okrem iného: zapalovacie kvapaliny, čistiace prostriedky na báze rozpúšťadiel, farby na báze oleja, benzín, alkohol alebo aerosólové spreje. Medzi výbušné prachy patria okrem iného: uhlie, horčik, hliník a obilný alebo strelný prach. Nevysávajte výbušný prach, horľavé alebo zápalné kvapaliny ani horúci popol. Nepoužívajte tento vysávač ako rozprašovač na žiadne horľavé alebo zápalné kvapaliny. Na zníženie rizika ohrozenia zdravia z pár alebo prachu nevysávajte toxické materiály.

DÔLEŽITÉ BEZPEČNOSTNÉ OPATRENIA

Symbol na výrobku alebo obale označuje, že výrobok sa nesmie likvidovať ako domový odpad. Namiesto toho by mal byť odovzdaný na zberné miesto na recykláciu elektrických a elektronických súčastí. Správnym spôsobom nakladania s výrobkom pomôžete predchádzať negatívnemu vplyvu na životné prostredie a zdravie, ktorý môže vzniknúť, ak sa výrobok vyhodí ako bežný odpad. Pre viac informácií o recyklácii kontaktujte miestne úrady, službu zberu odpadu alebo predajné miesto, kde ste tovar zakúpili.

OCHRANA ŽIVOTNÉHO PROSTREDIA



Oddelený zber. Produkty a batérie označené týmto symbolom nesmú byť vyhodené s bežným domácim odpadom.

Produkty a batérie obsahujú materiály, ktoré môžu byť recyklované alebo opätovne získané, čím sa znižuje dopyt po surovinách. Prosím, recyklujte elektrické produkty a batérie v súlade s miestnymi predpismi. Ďalšie informácie sú k dispozícii na stránke www.2helpU.com

POPIS (Obr. A)

▲ VAROVANIE: Nikdy nemodifikujte elektrický prístroj ani žiadnu jeho časť. Môže dôjsť k poškodeniu alebo osobnému zraneniu.

- 1 Pevná rukoväť/úchyt na navínutie kábla
- 2 Napájací kábel
- 3 Vypínač
- 4 Hlava vysávača
- 5 Západky veka
- 6 Nádoba na prach
- 7 Hadica
- 8 Koleska
- 9 FilterClean Connect™
- 10 Vstup vysávača
- 11 Pásik na hadicu
- 12 Jednorazové vrečko na prach

ZOSTAVENIE A NASTAVENIA (Obr. A-C)

▲ VAROVANIE: Na zníženie rizika zranenia vypnite prístroj a odpojte ho od napájacieho zdroja pred inštaláciou alebo odstraňovaním príslušenstva, pred úpravami alebo zmenou nastavení či počas opráv. Neúmyselné zapnutie môže spôsobiť zranenie.

▲ VAROVANIE: Filter **9** musí byť vždy nainštalovaný počas vysávania, okrem prípadov uvedených v časti POUŽÍVANIE PRI VYSÁVANÍ TEKUTÍN v kapitole PREVÁDZKA. Pri vysávaní jemného prachu môže byť potrebné použiť aj jednorazové vrečko na prach, aby sa uľahčilo vyprázdňovanie nádoby na prach.

1. Nainštalujte jednorazové vrečko na prach **12** podľa Obr. B.

POZNÁMKA: Dávajte pozor, aby ste vrečko neroztrhli. Umiestnite vrečko pevne na vstup vysávača **10** tak, aby tesnenie bolo pevné a zabezpečilo maximálny výkon zberu prachu.

2. Položte hlavu vysávača **4** na nádobu na prach a zaistíte ju zatvorením západiek veka **5**.
3. Vložte koniec hadice **7** do pripínacieho vstupu vysávača **10** a pevne utiahnite koniec hadice k nádobe.

PREVÁDZKA

POKYNY NA POUŽÍVANIE (Obr. A, D, E)

▲ VAROVANIE: Vždy dodržiavajte bezpečnostné pokyny a príslušné predpisy.

1. Zasuňte napájací kábel do vhodnej zásuvky.
2. Nastavte vypínač **3** do polohy ZAPNUTÉ (1).
3. Stavebný vysávač DeWALT je vybavený systémom pripojenia DEWALT. Tento systém umožňuje rýchle a bezpečné pripojenie medzi hadicou **7** a elektrickým náradím. Konektor **13** sa pripája priamo k náradiu kompatibilnému s DEWALT alebo prostredníctvom adaptéra (dostupného u miestneho dodávateľa DEWALT). Ak potrebujete nainštalovať adaptéry, pozrite si Fig. E.

POZNÁMKA: Ak používate adaptér, uistite sa, že je pevne pripevnený k výstupu náradia pred vykonaním nasledujúcich krokov.

POKYNY NA POUŽÍVANIE INŠTALÁCIA KOLIESOK (Obr. A, F)

1. Otočte nádobu na prach hore dnom, nainštalujte koleska na spodnú časť nádoby a upevnite ich skrutkami.
2. Vráťte zostavu nádoby na prach do zvislej polohy.

ODSTRÁNENIE/VÝMENA POUŽITÉHO JEDNORAZOVÉHO VRECKA NA PRACH (Obr. A)

▲ VAROVANIE: Pri manipulácii s použitými vrečkami na prach používajte vhodné osobné ochranné prostriedky, ako sú prachová maska a rukavice.

1. Vypnite vysávač a odpojte napájací kábel zo zásuvky.
2. Uvoľnite západky veka **5** a odstráňte hlavu vysávača **4**.
3. Opatrne vytiahnite jednorazové vrečko na prach **12** zo vstupu vysávača **10**.
4. Pri odstraňovaní z prístroja pevne uzavrite otvor jednorazového vrečka na prach **12**.
5. Zlikvidujte jednorazové vrečko na prach **12** v príslušnej nádobe podľa zákonných predpisov.

POUŽÍVANIE PRI VYSÁVANÍ TEKUTÍN (Obr. A, G)

▲ VAROVANIE: Ak z prístroja unikne pena alebo kvapalina, okamžite ho vypnite.

▲ VAROVANIE: Nepoužívajte prístroj s týmto nastavením na prach triedy L.

Guľový plavák **14** zablokuje prívod vzduchu k motoru, keď je nádoba na prach plná, a zvuk motora sa okamžite zmení.

Keď motor vydáva vysoký tón a prútok vzduchu alebo vody sa zastaví, vyprázdňte nádobu na prach.

1. Vypnite vysávač a odpojte napájací kábel zo zásuvky.
2. Uvoľnite západky veka **5** a odstráňte hlavu vysávača **4**.
3. Vyprázdňte obsah nádoby na prach **6** do vhodnej nádoby alebo do odtoku.

▲ OPATRNÉ: Pravidelne čistíte zariadenie na obmedzenie hladiny vody a kontrolujte ho na prípadné poškodenie. Pozrite si **Obr. G**.

POZORNOSŤ: NEODSTRAŇUJTE guľový plavák **14**, pretože by to mohlo poškodiť vysávač. Guľový plavák zabráňuje vniknutiu vody do motora.

Pred použitím vysávača na vysávanie tekutín:

- Uistíte sa, že nádobu na prach je prázdna a bez nadmerného množstva prachu.
- Odstráňte filter **9**.

SPÄŤ NA SUCHÉ VYSÁVANIE (Obr. A)

1. Vyprázdňte nádobu na prach, pozrite si pokyny v časti **VYPRÁZDNENIE NÁDOBY NA PRACH**.
2. Položte nádobu na prach hore dnom, kým úplne nevyschne. **NEPOUŽÍVAJTE** mokrú nádobu na prach na vysávanie suchých nečistôt
3. Položte hlavu vysávača **4** na rovný povrch, aby úplne vyschla.
4. Nainštalujte filtre späť, keď je hlava vysávača suchá. Pozrite časť **Filtre** v kapitole **ÚDRŽBA**.
5. Keď je nádobu na prach suchá, položte hlavu vysávača **4** na nádobu a zaistíte ju zatvorením západiek veka **5**.

VYPNUTIE/PREPRAVA (Obr. A)

1. Nastavte vypínač **3** do polohy **VYPNUTÉ**.
2. Odpojte zariadenie od napájania.
3. Uložte napájací kábel **2** tak, že ho omotáte okolo pevnej rukoväti/držiaka kábla **1**, ako je znázornené.
4. Pri preprave vo vozidlách zaistíte prístroj proti pohybu.

ÚDRŽBA

Prístroj DEWALT bol navrhnutý tak, aby fungoval dlhodobo s minimálnou údržbou. Trvalo spoľahlivá prevádzka závisí od správnej starostlivosti o prístroj a pravidelného čistenia.

▲ VAROVANIE: Na zníženie rizika zranenia vypnite prístroj a odpojte ho od napájacieho zdroja pred inštaláciou alebo odstraňovaním príslušenstva, pred úpravami alebo zmenou nastavení či počas opráv. Neúmyselné zapnutie môže spôsobiť zranenie.

▲ VAROVANIE: Pri údržbe vykonávanej používateľom musí byť prístroj podľa možnosti rozobratý, vyčistený a servisovaný tak, aby sa predišlo akémukoľvek riziku pre údržbársky personál a ostatné osoby. Vhodné preventívne opatrenia zahŕňajú dekontamináciu pred rozoberaním, zabezpečenie miestneho odvetrania s filtráciou výfukového vzduchu v mieste rozoberania prístroja, vyčistenie údržbovej oblasti a používanie vhodných osobných ochranných prostriedkov.

- Výrobca alebo poverená osoba musí vykonať technickú kontrolu aspoň raz ročne, ktorá zahŕňa napríklad kontrolu filtra na poškodenie, tesnosť prístroja a správnu funkciu ovládacieho mechanizmu.
- Pri vykonávaní servisných alebo opravárskych prác musia byť všetky kontaminované položky, ktoré nie je možné dostatočne vyčistiť, zlikvidované; takéto položky sa musia zlikvidovať v nepripustných vreckách v súlade s platnými predpismi o nakladaní s týmto typom odpadu.

FILTER (Obr. A, H, I)

STAROSTLIVOSŤ O FILTER

Filtre dodané s týmto vysávačom sú filtre s dlhou životnosťou. Aby boli účinné pri minimalizácii spätného prúdenia prachu, filtre MUSIA byť správne nainštalované a v dobrom stave.

▲ VAROVANIE: Pri manipulácii s filterami používajte vhodné osobné ochranné prostriedky, ako sú prachová maska a rukavice.

Odstránenie filtra Clean Connect™

1. Nastavte vypínač **3** do polohy **VYPNUTÉ** (O) a odpojte napájací kábel zo zásuvky.
2. Uvoľnite západky veka **5** a odstráňte hlavu vysávača **4** z nádoby. Položte hlavu vysávača hore dnom na rovný povrch.
3. Uchopte každý filter **9** za plastový koncový kryt, otočte ho proti smeru hodinových ručičiek, ako je znázornené, a opatrne odstráňte z hlavy vysávača, pričom dbajte, aby nečistoty nespádli do montážneho otvoru.

POZNÁMKA: Dávajte pozor, aby ste nepoškodili materiál filtra.

4. Ak je potrebné vyčistiť spodnú stranu hlavy vysávača **4**, použite handru navlhčenú vodou a jemným mydlom a nechajte ju vyschnúť. Použitú handru zlikvidujte v príslušnej nádobe.
5. Skontrolujte filtre, či nevykazujú známky opotrebovania, roztrhnutia alebo iného poškodenia.

POZNÁMKA: Ak máte pochybnosti o stave filtrov, MUSIA byť vymenené. Nepokračujte v používaní, ak sú filtre poškodené.

▲ VAROVANIE: Nikdy nepoužívajte stlačený vzduch ani kefy na čistenie filtrov, inak dôjde k poškodeniu membrány filtra, čo umožní prienik prachu cez filter. Ak je to potrebné, jemne klepnite o tvrdý povrch alebo opláchnite vodou pri izbovej teplote a nechajte uschnúť na vzduchu. Čistenie filtrov je zvyčajne zbytočné, aj keď je filter pokrytý prachom. Automatický systém čistenia filtrov zabezpečí maximálny výkon a bude naďalej fungovať. Ak je vizuálne poškodená membrána filtra, vymeňte filtre. Filtre obvykle vydržia od šiestich do dvanástich mesiacov v závislosti od používania a starostlivosti.

Instalácia filtra Clean Connect™

1. Uistite sa, že tesnenie filtra **15** je na svojom mieste a je pevne pripevnené.
2. Zarovnajete závit filtra **16** so závitmi hlavy vysávača a miernou silou otočíte filter v smere hodinových ručičiek, kým pevne nezapadne.

POZNÁMKA: Dávajte pozor, aby ste nepoškodili materiál filtra.

3. Položte hlavu vysávača **4** na nádobu na prach a zaistíte ju zatvorením západiek veka **5**.

POZNÁMKA: Pri vysávaní suchých nečistôt odstráňte penový filter a nahradte ho kartušovým filtrom.

Instalácia penového filtra

Tento vysávač vyžaduje len minimálne úpravy pri prechode zo suchého na mokré vysávanie. Na vysávanie malého množstva tekutín možno použiť čistý kartušový filter. Pre dosiahnutie najlepších výsledkov pri vysávaní väčšieho množstva tekutín odstráňte kartušový filter a všetky jednorazové alebo opakovane použiteľné prachové filtre. Nainštalujte penový filter **17** podľa Obr. J. Inštalácia penového filtra pomáha chrániť motor a znižuje riziko tvorby hmly vo výfukovom vzduchu alebo kvapkania tekutiny okolo veka.

PRÍPOJENIE NAPÁJACIEHO NÁSTROJA (Obr. L, M)

1. Uistite sa, že prepínač **3** je v polohe „Vypnuté“ a napájanie nie je pripojené.
2. Existujú 2 možnosti pre ďalší krok.
Možnosť 1: Pripojte nástroj k vysávaču najprv, potom pripojte napájanie a zapnite/vypnite prepínač **3** do polohy ON (I), v tomto prípade vysávač začne pracovať.
Možnosť 2: Pripojte nástroj k vysávaču najprv, potom pripojte napájanie a zapnite/vypnite prepínač **3** do polohy ON (II), v tomto prípade sa napájací nástroj môže začať používať.

VAROVANIE: Používajte zásuvku vysávača iba na pripojenie externého napájacieho nástroja. Vysávač je automaticky zapnutý a vypnutý cez pripojený napájací nástroj.

Pripojené zaťaženie napájacieho nástroja nesmie presiahnuť maximálne pripojené zaťaženie PA zásuvky vysávača. Rovnako si prosím pozorne prečítajte prevádzkové pokyny a bezpečnostné upozornenia pripojeného napájacieho nástroja.

ODPORÚČANIE: Vždy používajte vysávač prostredníctvom zariadenia na detekciu zvyškového prúdu (RCD) s menovitým zvyškovým prúdom 200 mA alebo menej.

Uistite sa, že prepínač napájacieho nástroja je v polohe „Vypnuté“, pred pripojením nástroja k vysávaču. Po vypnutí napájacieho nástroja pripojeného k zásuvke vysávača, vysávač bude pokračovať v prevádzke približne 15 sekúnd a následne sa automaticky vypne.

ELEKTRICKÁ BEZPEČNOSŤ

1. **Zástrčky napájacieho nástroja musia zodpovedať zásuvke. Nikdy nezmeňte zástrčku ak mkoľvek spôsobom. Nepouívajte iadne adaptér zástrčky s uzemnen m (zemn m) napájacím nástrojom.** Nezmenené zástrčky a zodpovedajúce zásuvky znižujú riziko elektrického šoku.
2. **Vyhňte sa kontaktu tela s uzemnen mi alebo z emn mi povrchmi, ako sú potrubia, radiátory, sporáky a chladničky.** Zvýšené riziko elektrického šoku vzniká, ak je vaše telo uzemnené alebo zemnené.
3. **Nevystavujte napájacie nástroje da du alebo vlhk m podmienkam.** Voda vstupujúca do napájacieho nástroja zvýši riziko elektrického šoku.
4. **Nezneu ívajte kábel. Nikdy nepou ívajte kábel na prenášanie, ťahanie alebo odpojenie napájacieho nástroja. Udr ujte kábel mimo dosahu tepla, oleja, ostr ch hrán alebo pohybliv ch častí.** Poškodené alebo zamotané káble zvyšujú riziko elektrického šoku.
5. **Pri prevádzke napájacieho nástroja vonku pou ívajte predl ovací kábel vhodn na vonkajšie použitie.** Používanie kábla vhodného na vonkajšie použitie znižuje riziko elektrického šoku.
6. **Ak je prevádzka napájacieho nástroja v vlhkom prostredí nevyhnutná, pou íte napájací zdroj chránen zariadením na detekciu zvyškového prúdu (RCD).** Použitie RCD znižuje riziko elektrického šoku.
7. Elektrický motor je navrhnutý pre jedno napätie. Vždy skontrolujte, či napájanie zodpovedá napätiu na štítiku. Ak je napájací kábel poškodený, musí byť vymenený iba spoločnosťou DEWALT alebo autorizovanou servisnou organizáciou.

VÝMENY HLAVNÉHO ZÁSTRČKY (IBA UK & ÍRSKO)

Ak je potrebné vymeniť nový sieťový zástrčku:

- Bezpečne sa zbavte starého zástrčky.
- Pripojte hnedý vodič k živému terminálu v zástrčke.
- Pripojte modrý vodič k neutrálnemu terminálu.
- Pripojte žltozelený vodič k uzemňovaciemu terminálu.

Postupujte podľa a pokynov na inštaláciu s kvalitnými zástrčkami. Odporúčaná poisťka: 13A.

VAROVANIE: Nikdy nepoužívajte svetelnú zásuvku. Nikdy neprípojujete vodiče (L) alebo (N) k uzemňovaciemu pinu označenému ako E alebo \perp .

POUŽITIE PREDĽŽOVACIEHO KÁBLA

Ak je potrebný predĺžovací kábel, použite schválený 3-jadrový predĺžovací kábel vhodný na vstupný výkon tohto nástroja (pozri Technické údaje). Minimálna veľkosť vodiča je 1,5 mm²; maximálna dĺžka je 30 m. Pri použití káblovej cievky vždy úplne odviňte kábel.

VYPRÁZDNENIE NÁDOBY NA PRACH

(Obr. K)

VAROVANIE: Aby sa znížilo riziko zranenia z neúmyselného zapnutia, odpojte napájací kábel pred vyprázdnením nádoby na prach 6.

1. Odstráňte zostavu motorovej hlavy mokro-suchého vysávača potiahnutím západiek veľa smerom von na každej strane vysávača. Zdvihnite a oddelíte motorovú hlavu.
2. Vyprázdňte obsah nádoby na prach do vhodnej nádoby na odpad.

FUNKCIA FUKANIA (Obr. C)

VAROVANIE: Aby ste predišli zraneniu osôb v okolí, udržiavajte ich mimo dosahu odŕukovaného odpadu. Vysávač je vybavený funkciou fúkania. Má schopnosť odŕukávať piliny a iné nečistoty. Môže sa používať na odŕukanie prachu a nečistôt z garáží, terás alebo príjazdových ciest. Na používanie vysávača ako fúkača postupujte podľa nasledujúcich krokov.

1. Nájdite výfukový port na vysávači.
2. Vložte jeden koniec hadice do výfukového portu.
3. Zapnite vysávač.

SKLADOVANIE (Obr. A)

1. Vyprázdňte nádobu na prach, pozrite si pokyny v časti **VYPRÁZDNENIE NÁDOBY NA PRACH**.
2. Vyčistite vysávač zvnútra aj zvonka. Pozrite si časť **ČISTENIE**.
3. Vyčistite alebo vymeňte filtre, pozrite časť **FILTER**.
4. Uložte hadicu a napájací kábel podľa **Obr. A**. Umiestnite prístroj do suchej miestnosti a zabezpečte ho proti neoprávnenému použitiu.

VOĽITEĽNÉ PRÍSLUŠENSTVO

VAROVANIE: Keďže príslušenstvo, ktoré nie je ponúkané spoločnosťou DEWALT, nebolo testované s týmto výrobkom, použitie takéhoto príslušenstva s týmto spotrebičom môže byť nebezpečné. Aby sa znížilo riziko zranenia, mali by sa s týmto výrobkom používať iba príslušenstvá odporúčané spoločnosťou DEWALT.

ČISTENIE

Aby si mokro-suchý vysávač zachoval čo najlepší vzhľad, vyčistite jeho vonkajší povrch handrou navlhčenou teplou vodou a jemným mydlom.

Na čistenie nádrže:

1. Vylejte nečistoty.
2. Dôkladne umyte nádrž teplou vodou a jemným mydlom.
3. Utrite suchou handričkou.

ODSTRÁNENIE PROBLÉMOV

VAROVANIE:

Mensie problémy je často možné vyriešiť bez kontaktovania zákazníckeho servisu.

PROBLÉM	RIEŠENIE
Motor nefunguje	Skontrolujte napájací kábel, zástrčku a zásuvku. Uistite sa, že vypínač je v polohe ZAPNUTÉ (1).
Kapacita sacej sily klesá	Odstráňte upchatie z podlahovej hubice, predlžovacích rúr, hadice alebo filtra.
	Vymeňte jednorazové vrečko na prach.
	Skontrolujte správnu inštaláciu filtra.
	Vyčistite alebo vymeňte filter.
Vysávač prestane bežať	Vyprázdňte nádobu na prach, očkazujte na VYPRÁZDNENIE NÁDRŽE v NÁVODE NA POUŽÍVANIE .
	Bola aktivovaná tepelná ochrana: 1. Vypnite vysávač a odpojte ho od napájacieho zdroja. 2. Vyprázdňte nádobu na prach, ak je to potrebné. 3. Nechajte zariadenie vychladnúť. 4. Zasuňte napájací kábel do vhodnej zásuvky a nastavte vypínač na zapnutú polohu (I) na testovanie.
Prach vychádza pri vysávaní	Skontrolujte správnu inštaláciu filtrov.
	Uistite sa, že filtre nie sú poškodené; vymeňte ich, ak je to potrebné.
	Uistite sa, že tesnenia filtrov sú na svojom mieste a sú pevné.
	Skontrolujte uchytenie hlavice vysávača.

VAROVANIE: Ak je napájací kábel poškodený, musí byť vymenený výrobkom, jeho servisným agentom alebo inými kvalifikovanými osobami, aby sa predišlo nebezpečenstvu.

VAROVANIE: Tento produkt nie je určený na filtráciu patogénov, napríklad COVID-19. Dodržiavajte všetky miestne, štátne a federálne pokyny týkajúce sa všeobecných čistiacich praktík.

**ZÁRUKA NA
NÁSTROJ**

3

**3-ROČNÁ
OBMEDZENÁ
ZÁRUKA**

ТЕХНІЧНІ ХАРАКТЕРИСТИКИ ПРОДУКТУ

Модель	<i>DXV30SAPTA</i>
Потужність	<i>220-240 В~ / 50/60 Гц / 1050 Вт</i>
Тиск ущільнення	<i>15 kPa</i>
Потік повітря	<i>37,8 л/с</i>
Обсяг бака	<i>30 літри*</i>
Шланг	<i>3Gx1,5mm² / 3,05m</i>

* Обсяг бака відповідає фактичному обсягу бака і не відображає обсяг, доступний під час експлуатації.

ВМІСТ УПАКОВКИ

В упаковці міститься:

- 1 Шланг *48mm x 2,1m (DXVA19-2558)*
 - 2 Подовжувачі *(DXVA19-1202)*
 - 1 Щілинна насадка *(DXVA19-1400)*
 - 1 Щілинна насадка *(DXVA19-1300)*
 - 1 Насадка для підлоги *(DXVA19-1900D)*
 - 1 Сітчаста сумка для аксесуарів *(DXVA19-5158)*
 - 1 Одноразовий мішок для збору пилу *(DXVA19-4204)*
 - 1 Фільтр Clean Connect™ *(DXVC4001)*
 - 1 Пінопластовий фільтр *(DXVA20-1200A)*
 - 1 Адаптер для інструментів *(DXVA19-2780)*
 - 1 Кругла щітка *(DXVA19-2400)*
 - 1 Лікоть *(DXVA19-2800)*
 - 1 Інструкція по експлуатації
 - 1 Упаковка з гвинтами
 - 4 Ролик
- Переверніть інструмент, деталі та приладдя на наявність пошкоджень, які могли виникнути під час транспортування.

• Перед початком експлуатації уважно прочитайте і зрозумійте це керівництво.

ВИЗНАЧЕННЯ: ВКАЗІВКИ З ТЕХНІКИ БЕЗПЕКИ

У наведених нижче визначеннях описується ступінь небезпеки кожного сигнального слова. Будь ласка, прочитайте посібник і зверніть увагу на ці символи.

▲ НЕБЕЗПЕКА: вказує на неминучу небезпеку, яка, якщо її не уникнути, може призвести до смерті або серйозних травм.

▲ ПОПЕРЕДЖЕННЯ: вказує на потенційно небезпечну ситуацію, яка, якщо її не уникнути, може призвести до смерті або серйозних травм.

▲ ОБЕРЕЖНО: вказує на потенційно небезпечну ситуацію, яка, якщо її не уникнути, може призвести до травм легкої або середньої тяжкості.

ЗАУВАЖЕННЯ: казує на практику, не пов'язану з травмами, яка, якщо її не уникнути, може призвести до пошкодження майна.

ВАЖЛИВІ ВКАЗІВКИ З ТЕХНІКИ БЕЗПЕКИ

▲ ПОПЕРЕДЖЕННЯ: під час використання електроприладів завжди дотримуйтесь основних запобіжних заходів, щоб зменшити ризик пожежі, ураження електричним струмом та травм, включаючи наступні:

ПЕРЕД ВИКОРИСТАННЯМ ПРИЛАДУ ПРОЧИТАЙТЕ І ДОТРИМУЙТЕСЬ УСІХ ІНСТРУКЦІЙ.

▲ ПОПЕРЕДЖЕННЯ: для зниження ризику ураження електричним струмом. Не піддавайте впливу дощу. Зберігайте в закритому приміщенні.

- Не залишайте прилад підключеним до джерела живлення. Відключайте від розетки, коли він не використовується, а також перед проведенням технічного обслуговування.
- Не дозволяйте використовувати прилад в якості іграшки. Будьте особливо уважні, коли приладом користуються діти або він знаходиться поруч з ними.
- Використовуйте прилад ТІЛЬКИ відповідно до Інструкції з експлуатації. Використовуйте лише насадки, рекомендовані *DEWALT*.
- Не користуйтеся приладом з пошкодженим шнуром або вилкою. Якщо прилад працює неправильно або якщо він впав, був пошкоджений, довгий час знаходився на вулиці або у воді, поверніть його в сервісний центр.
- Не тягніть і не носіть прилад за шнур, не використовуйте шнур в якості ручки, не закривайте дверцята за шнур і не протягуйте шнур через гострі краї або кути. Не притискайте шнур під приладом. Тримайте шнур подалі від поверхонь, що нагріваються.
- Не відключайте прилад від мережі, тягнучи за шнур. Щоб вийняти вилку з розетки, беріться за вилку, а не за шнур.
- Не торкайтеся вилки або приладу мокрими руками.
- Не засовуйте ніякі предмети в отвори приладу. Не використовуйте прилад із закритими отворами; не допускайте попадання пилу, ворсу, волосся і всього іншого, що може зменшити приплив повітря.
- Тримайте волосся, вільний одяг, пальці та інші частини тіла подалі від отворів та рухомих частин.
- Перед відключенням приладу від мережі вимкніть всі перемикачі.
- Будьте особливо обережні при прибиранні на сходах.
- Не використовуйте прилад для збору легкозаймистих рідин, таких як бензин, і не використовуйте його в місцях, де присутні легкозаймисті рідини.
- У сухих приміщеннях або при низькій відносній вологості повітря можливі статичні розряди. Це тимчасове явище, яке не впливає на використання пилососа. Щоб знизити частоту статичних розрядів, додайте вологі в повітря за допомогою пульса, встановленого зволожувача або використовуйте шланг (входить в стандартну комплектацію деяких моделей).
- Щоб уникнути самозаймання спорожняйте пилосбірник після кожного використання.

▲ ОБЕРЕЖНО: прилад не призначений для використання людьми (включаючи дітей) з обмеженими фізичними, сенсорними або розумовими здібностями, а також особами, які не мають достатнього досвіду і знань, за винятком випадків, коли вони знаходяться під наглядом або проінструктовані щодо використання приладу особою, відповідальною за їх безпеку. Необхідно стежити за дітьми, щоб вони не грали з приладом.

ЗБЕРЕЖІТЬ ЦІ ІНСТРУКЦІЇ

ДОДАТКОВІ ПРАВИЛА ТЕХНІКИ БЕЗПЕКИ

- Не використовуйте для прибирання палаючих або димлячих предметів, таких як сигарети, сірники або гарячий попіл.
- Не використовуйте для вакуумування горючих вибухових матеріалів, таких як вугілля, зерно або інші дрібнодисперсні горючі матеріали.
- Не використовуйте для вакуумування небезпечних, токсичних або канцерогенних матеріалів, таких як азбест або пестициди.
- Ніколи не прибирайте вибухонебезпечні рідини (наприклад, бензин, дизельне паливо, мазут, розчинники для фарби і т.д.), кислоти або розчинники.
- Не використовуйте пилосос без встановлених фільтрів, за винятком випадків, описаних в розділі ВОЛОГЕ ПРИБИРАННЯ.
- Деякі види деревини містять консерванти, які можуть бути токсичними. Під час роботи з цими матеріалами будьте особливо обережні, щоб запобігти вдиханню та контакту зі шкірою. Запитуйте у постачальника матеріалів всі інструкції з техніки безпеки і дотримуйтесь їх.
- Не використовуйте пилосос в якості драбини.
- Не ставте на пилосос важкі предмети.
- Для забезпечення безпеки подовжувач повинен мати відповідний розмір проводу.
- Якщо подовжувач призначений для використання поза приміщеннями, він повинен бути промаркований.

▲ ПОПЕРЕДЖЕННЯ:

Щоб зменшити вплив цих хімічних речовин, носіть затверджені засоби захисту, такі як респиратори, які спеціально розроблені для фільтрації мікроскопічних частинок.

▲ ПОПЕРЕДЖЕННЯ:

• ЩОБ ЗНИЗИТИ РИЗИК ОТРИМАННЯ ТРАВМ, КОРИСТУВАЧ ПОВИНЕН ОЗНАЙОМИТИСЯ З КЕРІВНИЦТВОМ ПО ЕКСПЛУАТАЦІЇ. НЕ ЗАЛИШАЙТЕ ПИЛОСОС БЕЗ НАГЛЯДУ, КОЛИ ВІН УВІМКНЕНИЙ. НЕ БЕРІТЬ В РУКИ ЛЕГКОЗАЙМИСТІ АБО ГАРЯЧІ МАТЕРІАЛИ. НЕ ВИКОРИСТОВУЙТЕ ПОБЛИЗУ ВИБУХОНЕБЕЗПЕЧНОГО ПИЛУ, РІДИН АБО ПАРІВ.

• ЕЛЕКТРИЧНІ ПРИСТРОЇ СТВОРЮЮТЬ ДУГУ АБО ІСКРИ, ЯКІ МОЖУТЬ ПРИЗВЕСТИ ДО ПОЖЕЖІ АБО ВИБУХУ. НЕ ВИКОРИСТОВУЙТЕ НА ЗАПРАВНИХ СТАНЦІЯХ АБО В МІСЦЯХ ЗБЕРІГАННЯ АБО ВИДАЧІ БЕНЗИНУ. НЕ ВАКУУМУЙТЕ ТОКСИЧНІ АБО КАНЦЕРОГЕННІ МАТЕРІАЛИ, А ТАКОЖ ІНШІ НЕБЕЗПЕЧНІ ДЛЯ ЗДОРОВ'Я МАТЕРІАЛИ, ТАКІ ЯК АЗБЕСТ АБО ПЕСТИЦИДИ. ЗАВЖДИ ВИКОРИСТОВУЙТЕ НАЛЕЖНІ ЗАСОБИ ЗАХИСТУ ОЧЕЙ І ОРГАНІВ ДИХАННЯ. ЩОБ ЗМЕНШИТИ РИЗИК УРАЖЕННЯ ЕЛЕКТРИЧНИМ СТРУМОМ, НЕ ПІДДАВАЙТЕ ПРИСТРІЙ ДОЩУ. ЗБЕРЕГАЙТЕ В ЗАКРИТОМУ ПРИМІЩЕННІ. ПРИ ОБСЛУГОВУВАННІ ВИКОРИСТОВУЙТЕ ТІЛЬКИ ОРИГІНАЛЬНІ ЗАПАСНІ ЧАСТИНИ. НЕ ВИКОРИСТОВУЙТЕ В ЯКОСТІ ПІДСТАВКИ ДЛЯ НІГ.

ЗБЕРЕЖІТЬ ЦІ ІНСТРУКЦІЇ

ІНСТРУКЦІЯ ПО ЕКСПЛУАТАЦІЇ

КОРОТКИЙ ОПИС РОЗПАКУВАННЯ ТА НАЛАШТУВАННЯ

1. Потягніть засувки кришки назовні, вийміть головку живлення і деякі приналежності, які, можливо, були поставлені в баку.
2. Встановіть прогумовані ролики підвищеної міцності, дотримуючись інструкцій, наведених у цьому посібнику.
3. Перш ніж замінити головку живлення, ознайомтеся з цим посібником, щоб переконатися, що у вас встановлені відповідні фільтри для очищення.
4. Замініть силову головку і натисніть великим пальцем на кожну засувку, поки вона щільно не зафіксується. Переконайтеся, що всі засувки кришки надійно закріплені.
5. Вставте кінець шланга у вхідний отвір резервуара.
6. Прикріпіть подовжувачі до кінця шланга. Злегка натискайте, поки з'єднання не стане щільним.
7. Прикріпіть один із засобів для чищення (залежно від вимог до чищення) до подовжувачів. Злегка поверніть, щоб затягнути з'єднання.
8. Підключіть шнур живлення до настінної розетки. Пилосос готовий до використання.

▲ ПОПЕРЕДЖЕННЯ:

Щоб знизити ризик пожежі або вибуху, не використовуйте цей пилосос в приміщеннях з вмістом в повітрі легкозаймистих газів, парів або вибухонебезпечної пилу. Легкозаймісті гази або пари включають наступні, але не обмежуються ними: рідина для запальничок, засоби для чищення на основі розчинників, фарби на масляній основі, бензин, спирт або аерозольні балончики. До вибухонебезпечної пилу відносяться наступні речовини, але не обмежуються ними: вугілля, магній, алюміній, крупа або порошок. Не вакуумуйте вибухонебезпечний пил, легкозаймісті рідини або горючу золу. Не використовуйте цей пилосос як розпилювач для будь-яких легкозаймистих рідин. Щоб зменшити ризик впливу парів або пилу на здоров'я, не вакуумуйте токсичні матеріали.

ВАЖЛИВІ ЗАПОБІЖНІ ЗАХОДИ

Символ на виробі або упаковці вказує на те, що з продуктом не можна поводитися як з побутовим сміттям. Замість цього його слід здати в пункт збору електричних і електронних компонентів для вторинної переробки. Забезпечення належного поводження з виробом допоможе запобігти негативному впливу на навколишнє середовище і здоров'я, який може виникнути в результаті викидання виробу разом зі звичайними відходами. Для отримання додаткової інформації про переробку вам слід звернутися до місцевих органів влади, служби збору сміття або до торговельної точки, де ви придбали товар.

ЗАХИСТ НАВКОЛИШНЬОГО СЕРЕДОВИЩА

Роздільний збір. Вироби і батареї, помічені цим символом, не можна викидати разом зі звичайними побутовими відходами.

Вироби та батареї містять матеріали, які можуть бути відновлені або перероблені, що знижує попит на сировину. Будь ласка, утилізуйте електротехнічні вироби та батареї відповідно до місцевих правил. Більш детальна інформація доступна за адресою www.2helpU.com

ОПИС (Рис. А)

▲ ПОПЕРЕДЖЕННЯ: ніколи не модифікуйте електроприлад або будь-які його частини. Це може призвести до пошкодження або травмування персоналу.

- 1 Перекидна ручка
- 2 Шнур живлення
- 3 Перемикач ВКЛ/ВИКЛ
- 4 Вакуумна головка
- 5 Засувки кришки
- 6 Пилосос
- 7 Шланг
- 8 Tartozódoboz/zsinórcsomagolás
- 9 Чистий фільтр *connect™*
- 10 Вакуумний патрубок
- 11 Hosszabbító pálcák tárolóhelye
- 12 Одноразовий мішок для збору пилу

Збірка і регулювання (Рис. А-С)

▲ ПОПЕРЕДЖЕННЯ: для зниження ризику отримання травм вимикайте прилад і від'єднуйте його від джерела живлення перед установкою і зняттям приладдя, регулюванням або зміною налаштувань, а також при проведенні ремонтних робіт. Випадковий запуск може призвести до травм.

▲ ПОПЕРЕДЖЕННЯ: під час прибирання пилососом фільтр 9 завжди повинен бути на місці, за винятком випадків, описаних в розділі ВОЛОГЕ ПРИБИРАННЯ в ЕКСПЛУАТАЦІЇ.

Пилососячи дрібний пил, вам також може знадобитися використовувати одноразовий мішок для збору пилу, щоб полегшити спорожнення пилососа.

1. Встановіть одноразовий мішок для збору пилу 12, як показано на Рис. В.

ПРИМІТКА: будьте обережні, щоб не порвати мішок. Надійно закріпіть мішок на вакуумному отворі 10, щоб забезпечити щільне ущільнення для максимального збору пилу.

2. Встановіть вакуумну головку 4 на пилосос 6 і закріпіть його, закривши засувки кришки 5.
3. Вставте кінець шланга 7 у вакуумний отвір шланга із затискачем 10 і затягніть кінець шланга на резервуарі.

ЕКСПЛУАТАЦІЯ**ІНСТРУКЦІЯ ПО ЗАСТОСУВАННЮ (Рис. А, D, E)**

▲ ПОПЕРЕДЖЕННЯ: завжди дотримуйтеся інструкцій з техніки безпеки та чинних правил.

1. Підключайте шнур живлення до відповідної розетки.
2. Поверніть перемикач Вкл/Викл 3 у положення Вкл (I).
3. Пиловловлювач конструкції DEWALT оснащений системою підключення DEWALT. Вона забезпечує швидке і надійне підключення шланга 7 до електроінструменту. Роз'єм 13 підключається безпосередньо до інструментів, сумісних з DEWALT, або за допомогою адаптера (купується у місцевого постачальника DEWALT). Якщо вам потрібно встановити адаптери, зверніться до Рис. Е.

ПРИМІТКА: При використанні адаптера переконайтеся, що він надійно підключений до розетки інструменту, перш ніж виконувати описані нижче дії.

ІНСТРУКЦІЯ ПО ЕКСПЛУАТАЦІЇ ВСТАНОВЛЕННЯ ЛИВАРНОГО БАРАБАНА (Рис. А, F)

1. Переверніть пилосос, візьміть ролик, щоб вирівняти місце опускання днища пилососа. Закріпіть за допомогою додатних гвинтів.
2. Встановіть пилосос у зборі вертикально.

ІНСТРУКЦІЯ З ЕКСПЛУАТАЦІЇ ВИЙМІТЬ/ЗАМІНІТЬ ВИКОРИСТАНИЙ ОДНОРАЗОВИЙ МІШОК ДЛЯ ЗБОРУ ПИЛУ (Рис. А)

▲ ПОПЕРЕДЖЕННЯ: при роботі з використаними мішками для збору пилу слід використовувати відповідні засоби індивідуального захисту, такі як респіратор і рукавички.

1. Вимкніть пилосос і вийміть шнур з розетки.
2. Відкрийте засувки кришки **5** і зніміть головку пилососа **4**.
3. Обережно вийміть одноразовий мішок для збору пилу **12** з вакуумного отвору **10**.
4. Виймаючи з машини, щільно закрийте отвір одноразового мішка для збору пилу **12**.
5. Утилізуйте одноразовий мішок для збору пилу **12** у відповідному контейнері відповідно до законодавчих правил.

ЗАСТОСУВАННЯ ДЛЯ МОКРОГО ПРИБИРАННЯ (Рис. А, G)

▲ ПОПЕРЕДЖЕННЯ: якщо з пилососа витікає піна або рідина, негайно вимкніть його.

Коли пилозбірник наповниться, кульовий клапан **14** перекриє доступ повітря до двигуна, і звук роботи двигуна відразу зміниться.

Коли двигун почне видавати високий звук і потік повітря/ води припиниться, спорожніть пилозбірник.

1. Вимкніть пилосос і вийміть шнур з розетки.
2. Відкрийте засувки кришки **5** і зніміть вакуумну головку **4**.
3. Відпиліть вміст пилозбірника **6** у відповідну ємність або злийте в каналізацію.

▲ ОБЕРЕЖНО: НЕ знімайте кульовий поплавок **14**, це може призвести до пошкодження пилососа.

Кульовий поплавок запобігає потраплянню води в двигун.

Перед використанням пилососа для збору мокрого пилу:

- Переконайтеся, що пилозбірник порожній і в ньому немає надлишків пилу.
- Зніміть фільтр **9**.

ЩОБ ЗНОВУ ПЕРЕКЛЮЧИТИСЯ НА РЕЖИМ СУХОГО ПРИБИРАННЯ (Рис. А)

1. Спорожніть пилозбірник, ознайомтеся з ІНСТРУКЦІЯМИ ЩОДО СПОРОЖНЕННЯ ПИЛОЗБІРНИКА.
2. Встановіть пилозбірник догори дном до повного висихання. НЕ використовуйте вологий пилозбірник для збору сухого пилу.
3. Помістіть вакуумну головку **4** на рівну суху поверхню приладу.
4. Коли вакуумна головка висохне, встановіть фільтри на місце. Зверніться до інструкції з ОЧИЩЕННЯ ТА ПІДКЛЮЧЕННЯ ФІЛЬТРА.
5. Коли пилозбірник висохне, встановіть вакуумну головку **4** на пилозбірник і закріпіть її, закривши засувки кришки **5**.

ВІДКЛЮЧЕННЯ / ТРАНСПОРТУВАННЯ (Рис. А)

1. Встановіть перемикач ВКЛ/ВИКЛ **3** в положення ВИКЛ.
2. Відключіть пристрій від мережі.
3. Зберігайте шнур живлення **2** обмотавши його навколо верхньої ручки/обмотавши шнур **1**, як показано на малюнку.
4. При транспортуванні в автомобілі надійно закріпіть пристрій.

ОБСЛУГОВУВАННЯ

Прилад *DEWALT* був спроектований таким чином, щоб працювати протягом тривалого періоду часу з мінімальними витратами на технічне обслуговування. Безперервна і задовільна робота приладу залежить від належного догляду за ним і регулярного чищення.

▲ ПОПЕРЕДЖЕННЯ: щоб знизити ризик отримання травм, вимикайте прилад і від'єднуйте його від джерела живлення перед установкою і зняттям приладдя, регулюванням або зміною налаштувань, а також при проведенні ремонтних робіт. Випадковий запуск може призвести до травм.

▲ ПОПЕРЕДЖЕННЯ: для обслуговування машину необхідно розібрати, очистити та провести технічне обслуговування, наскільки це можливо, не піддаючи ризику обслуговуючий персонал та інших осіб.

Відповідні запобіжні заходи включають знезараження перед демонтажем, забезпечення місцевої витяжної вентиляції з фільтром в місці демонтажу машини, прибирання зони технічного обслуговування і відповідний індивідуальний захист.

- **ПОПЕРЕДЖЕННЯ:** Виробник або проінструктована особа повинні проводити технічний огляд не рідше одного разу на рік, включаючи, наприклад, перевірку фільтра на наявність пошкоджень, герметичність машини і належне функціонування механізму управління.
- При проведенні робіт з технічного обслуговування або ремонту всі забруднені предмети, які не піддаються належному очищенню, підлягають утилізації; такі предмети повинні бути упаковані в непроникні пакети відповідно до чинних правил утилізації таких відходів.

ФІЛЬТР (Рис. А, H, I)

ДОГЛЯД ЗА ФІЛЬТРОМ

Фільтри, що входять в комплект цього пилососа, відрізняються тривалим терміном служби. Щоб звести до мінімуму рециркуляцію пилу, фільтри повинні бути встановлені правильно і перебувати в хорошому стані.

▲ ПОПЕРЕДЖЕННЯ: при роботі з фільтрами слід використовувати відповідні засоби індивідуального захисту, такі як респіратор і рукавички.

ЩОБ ВИТАГТИ ФІЛЬТР **CLEAN CONNECT™** (Рис. H)

1. Переведіть перемикач Вкл/Викл **3** в положення ВИКЛ. (O) і вийміть шнур живлення з розетки.
2. Зніміть засувки кришки **5** і вийміть вакуумну головку **4** з контейнера. Помістіть вакуумну насадку на рівню поверхню догори дном.
3. Поверніть кожен фільтр **9** проти годинникової стрілки, взявшись за пластикову торцеву кришку, як показано на малюнку, і обережно зніміть з насадки, стежачи за тим, щоб сміття не потрапляло в монтажний отвір.

ПРИМІТКА: Будьте обережні, щоб не пошкодити фільтруючий матеріал.

4. Якщо необхідно очистити нижню частину вакуумної головки **4**, використовуйте ганчірку, змочену водою з м'яким милом, і дайте їй висохнути. Покладіть ганчірку у відповідний контейнер.
5. Перевірте фільтри на знос, розриви або інші пошкодження.

ПРИМІТКА: Якщо є сумніви щодо стану фільтрів, їх потрібно замінити. НЕ продовжуйте використання, якщо фільтри пошкоджені.

▲ ПОПЕРЕДЖЕННЯ: ніколи не використовуйте стиснене повітря або щітку для чищення фільтрів, інакше мембрана фільтра може бути пошкоджена, що призведе до проникнення пилу через фільтр. При необхідності обережно постукайте по твердій поверхні або промийте водою кімнатної температури і дайте висохнути на повітрі. При наявності видимих пошкоджень мембрани фільтра замініть фільтри. Термін служби фільтрів зазвичай становить від шести до дванадцяти місяців в залежності від умов використання і догляду.

Щоб встановити фільтр **Clean Connect™**

1. Переконайтеся, що ущільнення фільтра **15** знаходиться на місці та надійно закріплене.
2. Вирівняйте різьбу фільтра **16** з різьбою вакуумної головки і, прикладаючи помірне зусилля, повертайте фільтр за годинниковою стрілкою до упору.

ПРИМІТКА: будьте обережні, щоб не пошкодити матеріал фільтра.

3. Встановіть вакуумну головку **4** на пілозбірник і закріпіть її, закривши засувки кришки **5**.

ПРИМІТКА: при сухому прибиранні знімайте пінопластовий фільтр і замінійте його фільтром **clean connect™**.

для УСТАНОВКИ ПІНОПЛАСТОВОГО ФІЛЬТРА
При переході від сухого прибирання до вологого прибирання цей очищувач вимагає мінімальної заміни. Для видалення невеликої кількості рідини можна використовувати чистий картриджний фільтр. Для досягнення найкращих результатів при видаленні великої кількості рідини вийміть картриджний фільтр і всі одноразові або багаторазові пилкові фільтри. Встановіть пінопластовий фільтр **17**, як показано на Рис. J. Установка поролонового фільтра допоможе захистити двигун і звести до мінімуму ймовірність утворення запотівання, яке може з'явитися в витяжному повітрі, або попадання рідини на кришку.

ЩОБ СПОРОЖНИТИ ПИЛОЗБІРНИК (Рис. K).

▲ ПОПЕРЕДЖЕННЯ: щоб зменшити ризик отримання травм при випадковому включенні, перед спорожненням пілозбірника від'єднайте шнур живлення від розетки **6**.

1. Зніміть головку блоку живлення пілозбірника для сухого/вологого прибирання, потягнувши за затискачі кришки, розташовані з кожного боку пілозбірника. Зніміть головку електроживлення.
2. Перелийте вміст пілозбірника у відповідний контейнер для збору відходів.
3. Рідина можна зливати через зливний отвір резервуара **18**. Щоб спорожнити бак, вимкніть прилад і вийміть вилку з розетки. Зніміть кришку зливного отвору і вилийте рідкі відходи у відповідний стік. Після того, як бак спорожніє, поверніть зливну кришку у вихідне положення. Щоб продовжити використання, ввімкніть шнур у розетку та увімкніть прилад.

ПІДКЛЮЧЕННЯ ЕЛЕКТРОІНСТРУМЕНТУ (рисунки L, M)

1. Переконайтеся, що перемикач увімкнення/вимкнення **3** знаходиться в положенні Вимк, і що прилад не під'єднано до джерела живлення.
2. Наступний крок можна виконати у 2 способи. Спосіб 1. Спочатку підключіть електричний інструмент до пилососа, потім вставте вилку шнура пилососа в розетку та переведіть перемикач **3** в положення УВІМК (I) — у цей момент пилосос почне працювати. Спосіб 2. Спочатку підключіть електричний інструмент до пилососа, потім вставте вилку шнура пилососа в розетку та переведіть перемикач **3** в положення УВІМК (II) — тепер можна починати використовувати електроінструмент.

▲ ОБЕРЕЖНО. Використовуйте розетку пилососа тільки для підключення зовнішнього електроінструменту. Пилосос автоматично вмикається і вимикається за допомогою підключеного електроінструменту.

Потужність навантаження (електроінструменту), що підключається, не повинна перевищувати максимальну навантажувальну здатність РА розетки пиłosоса. Також необхідно виконувати вказівки з техніки безпеки та експлуатації, наведені у настанові для електроінструменту, що під'єднується до пиłosоса.

РЕКОМЕНДАЦІЯ: Завжди підключайте пиłosос до живлення через пристрій захисного вимкнення (ПЗВ) з номінальним залишковим струмом 200 мА або менше.

Перш ніж під'єднувати інструмент до розетки пиłosоса, переконайтесь, що перемикач живлення електроінструмента знаходиться в положенні «Вимкнено».

Після вимкнення електроінструменту, під'єданого до розетки пиłosоса, пиłosос продовжуватиме працювати протягом прибл. 15 секунд, після чого автоматично вимкнеться.

ЕЛЕКТРОБЕЗПЕКА

1. Вилки електроінструменту повинні відповідати розетці. Ні в якому разі не модифікуйте вилку. Не використовуйте вилки-перехідники з заземленими електроінструментами. Незмінені вилки та відповідні розетки знижують ризик ураження електричним струмом.
2. Уникайте контакту тіла з заземленими поверхнями, такими як труби, радіатори, плити та холодильники. Якщо ваше тіло заземлене, існує підвищений ризик ураження електричним струмом.
3. Не піддавайте електроінструменти впливу дощу або вологи. Потрапляння води на електроінструмент збільшує ризик ураження електричним струмом.
4. Поводьтесь обережно зі шнуром Ніколи не використовуйте шнур для перенесення, витягування або від'єднання електроінструменту від мережі. Тримайте шнур подалі від джерел тепла, масла, гострих країв або рухомих частин. Пошкоджені або заплутані шнури підвищують ризик ураження електричним струмом.
5. Під час роботи з електроінструментом на відкритому повітрі використовуйте подовжувач, придатний для використання на відкритому повітрі. Використання шнура, придатного для використання на відкритому повітрі, знижує ризик ураження електричним струмом.
6. Якщо робота з електроінструментом у вологому приміщенні неминуча, використовуйте джерело живлення із захистом від залишкового струму (ЗЗС). Використання ЗЗС знижує ризик ураження електричним струмом.
7. Електродвигун розрахований тільки на одну напругу. Завжди перевіряйте, чи відповідає напруга живлення напрузі, зазначеній на заводській табличці. Якщо шнур живлення пошкоджений, його слід замінювати тільки в компанії DEWALT або в авторизованій сервісній організації.

ЗАМІНА МЕРЕЖЕВОЇ ВИЛКИ

(Тільки у Великобританії та Ірландії)

При необхідності встановіть нову мережеву вилку:

- Безпечно утилізуйте стару вилку.
- Підключіть коричневий провід до штекера, що знаходиться під напругою.
- Підключіть синій провід до нейтральної клеми.
- Підключіть жовто-зелений провід до клеми заземлення. Дотримуйтесь інструкцій з монтажу, що додаються до вилок хорошої якості. Рекомендований запобіжник: 13А.

▲ПОПЕРЕДЖЕННЯ: ніколи не використовуйте електричну розетку. Ніколи не підключайте дроти, що знаходяться під напругою (L) або нейтраллю (N), до контакту заземлення, позначеного E або \perp .

ВИКОРИСТАННЯ ПОДОВЖУВАЧА

Якщо потрібно використати подовжувальний кабель, використовуйте схвалений 3-жильний подовжувач, відповідний споживаній потужності даного інструменту (див. Технічні характеристики). Мінімальний розмір жили - 1,5 мм²; максимальна довжина - 30 м. При використанні котушки з кабелем завжди повністю розмотуйте кабель.

ФУНКЦІЯ ОБДУВАННЯ (Рис. С)

▲ПОПЕРЕДЖЕННЯ: щоб уникнути травмування сторонніх осіб не допускайте потрапляння на них сміття.

Пиłosос оснащений функцією продувки. Він здатний видувати тирсу та інше сміття. Його можна використовувати для видування пилу та сміття з гаражів, а також внутрішніх двориків та під'їздів. Виконайте наступні дії, щоб використовувати пиłosос як повітродувку.

1. Знайдіть отвір для продувки на пиłosосі.
2. Вставте один кінець шланга в отвір для продувки.
3. Перемкніть пиłosос в положення «ВКЛ».

ЗБЕРІГАННЯ (Рис. А)

1. Спорожніть пиłosобріжник, див. розділ ЩОБ СПОРОЖНИТИ ПИЛОЗБІРНИК.
2. Очистіть пиłosос всередині і зовні. див. розділ ОЧИЩЕННЯ.
3. Очистіть або замініть фільтри, див. розділ ФІЛЬТР.
4. Зберігайте шланг і шнур живлення, як показано на Мал. А. Розмістіть прилад у сухому приміщенні та захистіть його від несанкціонованого використання.

ХАРАКТЕРИСТИКИ ИЗДЕЛИЯ

Модель	DXV30SAPTA
Мощность	220-240 В~ / 50/60 Гц / 1050 Вт
Давление уплотнения	15kPa
Поток воздуха	37,8 л/с
Емкость бака	30 л*
Шланг	48 мм x 2,1 м
Шнур питания	3Гx1,5mm ² / 3,05m

*Емкость бака относится к фактическому объему бака и не отражает доступную емкость во время эксплуатации.

СОДЕРЖИМОЕ УПАКОВКИ

Комплектация:

- 1 Шланг 48 мм x 2,1 м (DXVA19-2558)
- 2 Удлинительные трубки (DXVA19-1202)
- 1 Щелевая насадка (DXVA19-1400)
- 1 Универсальная насадка (DXVA19-1300)
- 1 Насадка для пола (DXVA19-1900D)
- 1 Сетчатая сумка для аксессуаров (DXVA19-5158)
- 1 Одноразовый мешок для пыли (DXVA19-4204)
- 1 Фильтр Clean Connect™ (DXVC4001)
- 1 Поролоновый фильтр (DXVA20-1200A)
- 1 Адаптер для инструмента (DXVA19-2780)
- 1 Круглая щетка (DXVA19-2400)
- 1 Угловой переходник (DXVA19-2800)
- 1 Руководство по эксплуатации
- 1 Комплект винтов
- 4 Ролики

- Проверьте инструмент, детали и принадлежности на предмет повреждений, которые могли возникнуть во время транспортировки.
- Перед началом эксплуатации внимательно прочтите и поймите данное руководство.

ОПРЕДЕЛЕНИЯ: ПРАВИЛА БЕЗОПАСНОСТИ

Определения ниже описывают уровень серьезности каждого сигнального слова. Прочтите руководство и обратите внимание на эти символы.

▲ ОПАСНОСТЬ: указывает на неминуемо опасную ситуацию, которая, если ее не предотвратить, приведет к смерти или серьезным травмам.

▲ ВНИМАНИЕ: указывает на потенциально опасную ситуацию, которая, если ее не предотвратить, может привести к смерти или серьезным травмам.

▲ ОСТОРОЖНО: указывает на потенциально опасную ситуацию, которая, если ее не предотвратить, может привести к травмам легкой или средней степени тяжести.

ПРИМЕЧАНИЕ: указывает на не связанное с травмами действие, которое, если его не предотвратить, может привести к повреждению имущества.

ВАЖНЫЕ ИНСТРУКЦИИ ПО БЕЗОПАСНОСТИ

▲ ВНИМАНИЕ: при использовании электроприборов всегда соблюдайте основные меры предосторожности, чтобы снизить риск возникновения пожара, поражения электрическим током и получения травм, включая следующее:

ПЕРЕД ИСПОЛЬЗОВАНИЕМ ПРИБОРА

ПРОЧИТАЙТЕ И СОБЛЮДАЙТЕ ВСЕ ИНСТРУКЦИИ.

- ▲ ВНИМАНИЕ:** чтобы снизить риск поражения электрическим током. Не подвергайте изделие воздействию дождя. Храните в помещении.
- Не оставляйте изделие подключенным к источнику питания. Отключайте изделие от розетки, когда оно не используется, а также перед обслуживанием.
 - Не позволяйте детям использовать изделие в качестве игрушки. Будьте особенно внимательны, когда дети используют изделие или находятся рядом с ним.
 - Используйте изделие ТОЛЬКО так, как описано в руководстве. Используйте только насадки, рекомендованные DeWALT.
 - Не используйте изделие, если у него поврежден шнур или вилка. Если изделие работает неправильно или если его уронили, повредили, оставили на открытом воздухе или уронили в воду, следует вернуть его в сервисный центр.
 - Не тяните и не переносите изделие за шнур, не используйте шнур в качестве ручки, не закрывайте дверь, когда шнур находится в дверном проеме, и не тяните шнур вокруг острых краев или углов. Не перемещайте изделие по шнуру. Держите шнур вдали от нагретых поверхностей.
 - Не отключайте прибор от сети, держа за шнур. Чтобы извлечь шнур питания, держитесь за вилку, а не за шнур.
 - Не прикасайтесь к вилке или прибору мокрыми руками.
 - Не вставляйте никакие предметы в отверстия прибора. Не используйте прибор, если какие-либо отверстия заблокированы; не допускайте попадания пыли, ворса, волос и остальных предметов, которые могут ухудшить циркуляцию воздуха.
 - Держите волосы, прилегающую одежду, пальцы и все части тела вдали от отверстий и движущихся частей.
 - Перед отключением прибора от сети выключите все элементы управления.
 - Будьте особенно осторожны при уборке на лестнице.
 - Не используйте прибор для сбора легковоспламеняющихся или горючих жидкостей, таких как бензин, а также в местах, где присутствуют легковоспламеняющиеся или горючие жидкости.
 - В сухих помещениях или при низкой относительной влажности воздуха возможны электростатические разряды. Это временное явление, которое не влияет на использование пылесоса. Чтобы снизить частоту электростатических разрядов, увлажните воздух с помощью пульта, установленного увлажнителя или используйте шланг (входит в стандартную комплектацию некоторых моделей).
 - Во избежание самовозгорания опорожняйте пылесборник после каждого использования.
 - **▲ ОСТОРОЖНО:** прибор не предназначен для использования лицами (включая детей) с ограниченными физическими, сенсорными или

умственными способностями или с недостатком опыта и знаний, если они не находятся под присмотром или не получили инструкции по использованию прибора от лица, ответственного за их безопасность.

Необходимо следить за детьми, чтобы они не играли с пылесосом.

СОХРАНИТЕ ЭТУ ИНСТРУКЦИЮ ДОПОЛНИТЕЛЬНЫЕ ПРАВИЛА БЕЗОПАСНОСТИ

- Не используйте пылесос для уборки горячих или дымящихся предметов, например сигарет, спичек или горячего пепла.
- Не используйте пылесос для уборки горючих взрывоопасных материалов, таких как уголь, зерно или другие мелкодисперсные горючие материалы.
- Не используйте пылесос для уборки опасных, токсичных или канцерогенных материалов, таких как асбест или пестициды.
- Никогда не собирайте с помощью пылесоса взрывоопасные жидкости (например, бензин, дизельное топливо, печное топливо, разбавитель для краски и т.д.), кислоты или растворители.
- Не используйте пылесос без установленных фильтров, за исключением случаев, описанных в разделе «**ВЛАЖНАЯ УБОРКА**».
- Некоторые виды древесины содержат консерванты, которые могут быть токсичными. При работе с этими материалами соблюдайте особую осторожность, чтобы не допустить их вдыхания и контакта с кожей. Запросите и соблюдайте всю имеющуюся у поставщика материалов информацию по технике безопасности.
- Не используйте пылесос в качестве подставки.
- Не кладите на пылесос тяжелые предметы.
- Удлинитель должен иметь достаточное сечение провода для обеспечения безопасности.
- Если удлинитель будет использоваться на открытом воздухе, он должен быть промаркирован.

▲ВНИМАНИЕ:

чтобы снизить воздействие этих химических веществ, используйте утвержденные средства защиты, такие как респираторы, специально разработанные для фильтрации микроскопических частиц.

▲ВНИМАНИЕ:

• ЧТОБЫ СНИЗИТЬ РИСК ТРАВМ, ПОЛЬЗОВАТЕЛИ ДОЛЖНЫ ПРОЧЕСТЬ РУКОВОДСТВО ПО ЭКСПЛУАТАЦИИ. НЕ ОСТАВЛЯЙТЕ ПЫЛЕСОС БЕЗ ПРИСМОТРА, КОГДА ОН ВКЛЮЧЕН. НЕ СОБИРАЙТЕ ПЫЛЕСОСОМ ЛЕГКОВОСПЛАМЕНЯЮЩИЕСЯ, ГОРЮЧИЕ ИЛИ ГОРЯЧИЕ МАТЕРИАЛЫ. НЕ ИСПОЛЬЗУЙТЕ ВОКРУГ ВЗРЫВООПАСНОЙ ПЫЛИ, ЖИДКОСТЕЙ ИЛИ ПАРОВ. ЭЛЕКТРИЧЕСКИЕ УСТРОЙСТВА ОБРАЗУЮТ ДУГИ ИЛИ ИСКРЫ, КОТОРЫЕ МОГУТ ВЫЗВАТЬ ПОЖАР ИЛИ ВЗРЫВ. НЕ ИСПОЛЬЗУЙТЕ ПЫЛЕСОС НА АВТОЗАПРАВОЧНЫХ СТАНЦИЯХ ИЛИ В ДРУГИХ МЕСТАХ, ГДЕ ХРАНИТСЯ ИЛИ ДОЗИРУЕТСЯ БЕНЗИН. НЕ ИСПОЛЬЗУЙТЕ ПЫЛЕСОС ДЛЯ УБОРКИ ТОКСИЧНЫХ ИЛИ КАНЦЕРОГЕННЫХ МАТЕРИАЛОВ, А ТАКЖЕ ДРУГИХ

ОПАСНЫХ ДЛЯ ЗДОРОВЬЯ МАТЕРИАЛОВ, ТАКИХ КАК АСБЕСТ ИЛИ ПЕСТИЦИДЫ. ВСЕГДА ИСПОЛЬЗУЙТЕ НАДЛЕЖАЩИЕ СРЕДСТВА ЗАЩИТЫ ГЛАЗ И ДЫХАТЕЛЬНЫХ ПУТЕЙ. ЧТОБЫ СНИЗИТЬ РИСК ПОРАЖЕНИЯ ЭЛЕКТРИЧЕСКИМ ТОКОМ, НЕ ОСТАВЛЯЙТЕ ПЫЛЕСОС ПОД ДОЖДЕМ. ХРАНИТЕ ПЫЛЕСОС В ПОМЕЩЕНИИ. ПРИ ОБСЛУЖИВАНИИ ИСПОЛЬЗУЙТЕ ТОЛЬКО ИДЕНТИЧНЫЕ ЗАПАСНЫЕ ЧАСТИ. НЕ ИСПОЛЬЗУЙТЕ ИЗДЕЛИЕ В КАЧЕСТВЕ ПОДСТАВКИ.

СОХРАНИТЕ ЭТУ ИНСТРУКЦИЮ ИНСТРУКЦИЯ ПО ЭКСПЛУАТАЦИИ

КРАТКОЕ ОПИСАНИЕ РАСПАКОВКИ И УСТАНОВКИ

1. Потяните защелку крышки наружу, снимите силовую насадку и некоторые принадлежности, которые могут находиться в баке.
2. Прикрепите предназначенные для суровых условий эксплуатации прорезиненные ролики, следуя инструкции в данном руководстве.
3. Перед заменой силовой насадки ознакомьтесь с данным руководством и убедитесь, что установлены соответствующие фильтры для очистки.
4. Установите на место силовую насадку и надавите большим пальцем на каждую защелку, пока она не защелкнется. Убедитесь, что все защелки крышки надежно зафиксированы.
5. Вставьте конец шланга во входное отверстие бака.
6. Прикрепите удлинительные трубки к концу шланга. Слегка надавите, пока соединение не станет плотным.
7. Прикрепите к удлинительным трубкам одну из принадлежностей для уборки (в зависимости от требований к уборке). Слегка поверните, чтобы затянуть соединение.
8. Вставьте вилку шнура в розетку. Пылесос готов к использованию.

▲ВНИМАНИЕ:

чтобы снизить риск возгорания или взрыва, не используйте этот пылесос в местах, где в воздухе присутствуют легковоспламеняющиеся газы, пары или взрывоопасная пыль. К легковоспламеняющимся газам или парам относятся, помимо прочего, жидкость для зажигалок, чистящие средства на основе растворителей, краски на масляной основе, бензин, спирт или аэрозольные распылители. Взрывоопасная пыль включает в себя, помимо прочего, угольную, магниевую, алюминиевую пыль, а также зерно или порошок. Не используйте пылесос для всасывания взрывоопасной пыли, легковоспламеняющихся или горячих жидкостей или горячего пепла. Не используйте пылесос в качестве распылителя легковоспламеняющихся или горячих жидкостей. Чтобы снизить риск возникновения вредных для здоровья последствий воздействия паров или пыли, не используйте пылесос для всасывания токсичных материалов.

ВАЖНЫЕ МЕРЫ БЕЗОПАСНОСТИ

Символ на изделии или упаковке указывает на то, что пылесос нельзя утилизировать как бытовые отходы. Вместо этого его следует сдать в пункт приема для переработки электрических и электронных компонентов. Обеспечивая правильное обращение с изделием, вы можете предотвратить негативное воздействие на окружающую среду и здоровье, которое может возникнуть, если пылесос будет выброшен вместе с бытовыми отходами. Для получения дополнительной информации о переработке вам следует обратиться в местные органы власти, службу по вывозу мусора или в торговую точку, где вы приобрели товар.

ЗАЩИТА ОКРУЖАЮЩЕЙ СРЕДЫ



Раздельный сбор. Приборы и аккумуляторы, отмеченные этим символом, нельзя утилизировать вместе с обычными бытовыми отходами.

Приборы и аккумуляторы содержат материалы, которые можно восстанавливать или перерабатывать, что снижает потребность в сырье. Утилизируйте электроприборы и аккумуляторы в соответствии с местными нормами. Более подробную информацию можно найти на веб-сайте www.2helpU.com

ОПИСАНИЕ (Рис. А)

▲ ВНИМАНИЕ: никогда не модифицируйте электроприбор или любую его часть. Это может привести к повреждению имущества или травмам.

- 1 Прочная ручка / держатель для шнура
- 2 Шнур питания
- 3 Переключатель питания
- 4 Головка пылесоса
- 5 Защелки крышки
- 6 Пылесборник
- 7 Шланг
- 8 Ролики
- 9 Фильтр Clean Connect™
- 10 Вакуумное отверстие
- 11 Фиксатор шланга
- 12 Одноразовый мешок для пыли

СБОРКА И РЕГУЛИРОВКА (Рис. А–С)

▲ ВНИМАНИЕ: чтобы снизить риск получения травмы, выключайте прибор и отсоединяйте его от источника питания перед установкой и снятием принадлежностей, перед регулировкой или изменением настроек, а также при выполнении ремонтных работ. Случайный запуск может привести к травме.

▲ ВНИМАНИЕ: фильтр 9 всегда должен быть на месте во время уборки, за исключением случаев, описанных в п. «ВЛАЖНАЯ УБОРКА» в разделе «ЭКСПЛУАТАЦИЯ». При уборке мелкой пыли вам также может понадобиться одноразовый мешок для пыли, чтобы облегчить опорожнение пылесборника.

1. Установите одноразовый мешок для пыли 12, как показано на Рис. В.

ПРИМЕЧАНИЕ: соблюдайте осторожность, чтобы не порвать мешок. Надежно закрепите мешок на вакуумном отверстии 10, чтобы обеспечить герметичность и максимальную эффективность сбора пыли.

2. Установите выкумную насадку 4 на пылесборник и закрепите ее, закрыв защелки крышки 5.
3. Вставьте конец шланга 7 в вакуумное отверстие 10 с зажимом и закрепите конец шланга на пылесборнике.

ИНСТРУКЦИЯ

ПО ЭКСПЛУАТАЦИИ (Рис. А, D, E)

▲ ВНИМАНИЕ: всегда соблюдайте инструкции по технике безопасности и применимые правила.

1. Вставьте шнур питания в подходящую розетку.
2. Поверните переключатель питания 3 в положение ВКЛ (I).
3. Пылесуватель DeWALT оснащен системой подключения DeWALT. Эта система обеспечивает быстрое и надежное подключение шланга 7 и силового инструмента. Разъем 13 подключается напрямую к совместимым инструментам DeWALT или через использование адаптера (доступен у местного поставщика DeWALT). Если вам нужно установить адаптеры, обратитесь к Рис. E.

ПРИМЕЧАНИЕ: При использовании адаптера убедитесь, что он надежно прикреплен к выходному отверстию инструмента, прежде чем выполнять следующие действия.

ИНСТРУКЦИЯ ПО УСТАНОВКЕ РОЛИКОВ (Рис. А, F)

1. Переверните пылесборник, установите ролики на дно пылесборника и закрепите их винтами.
2. Установите узел пылесборника в вертикальное положение.

СНЯТИЕ/ЗАМЕНА ИСПОЛЬЗОВАННОГО ОДНОРАЗОВОГО МЕШКА ДЛЯ ПЫЛИ (Рис. А)

▲ ВНИМАНИЕ: при работе с фильтрами следует использовать соответствующие средства индивидуальной защиты, такие как респиратор и перчатки.

1. Выключите пылесос и извлеките шнур из розетки.
2. Откройте защелки крышки 5 и снимите вакуумную насадку 4.
3. Осторожно вытяните одноразовый мешок для пыли 12 из вакуумного отверстия 10.

4. Плотно закройте отверстие одноразового мешка для пыли 12, прежде чем вынимать его из пылесоса.
5. Утилизируйте одноразовый мешок для пыли 12 в соответствующем контейнере согласно установленным законом положениям.

ВЛАЖНАЯ УБОРКА (Рис. А, G)

▲ВНИМАНИЕ: Если из устройства начинает вытекать пена или жидкость, немедленно выключите его.

▲ВНИМАНИЕ: не используйте пылесос с данной настройкой для пыли класса L.

Когда пылесборник заполнен, поплавок 14 перекроет доступ воздуха к двигателю, и звук двигателя сразу же изменится.

Когда двигатель издаст пронзительный звук и поток воздуха/воды прекратится, опорожните пылесборник.

1. Выключите пылесос и извлеките шнур из розетки.
2. Откройте защелки крышки 5 и снимите вакуумную насадку 4.
3. Вылейте содержимое пылесборника 6 в подходящую емкость или слив.

▲ОСТОРОЖНО: регулярно очищайте устройство ограничения уровня воды и проверяйте его на наличие признаков повреждения. См. **Рис. G.**

ПРИМЕЧАНИЕ: НЕ снимайте сферический поплавок 14, это приведет к повреждению пылесоса. Сферический поплавок предотвращает попадание воды в двигатель.

Перед использованием пылесоса для влажной уборки:

- Убедитесь, что пылесборник пуст и в нем нет излишков пыли.
- Снимите фильтр 9.

ПЕРЕХОД ОБРАТНО К СУХОЙ УБОРКЕ (Рис. А)

1. Опорожните пылесборник в соответствии с разделом «ОПОРОЖНЕНИЕ ПЫЛЕСБОРНИКА».
2. Установите пылесборник вверх дном и оставьте до полного высыхания. НЕ ИСПОЛЬЗУЙТЕ влажный пылесборник для сухой уборки.
3. Поместите вакуумную насадку 4 на ровную поверхность и дайте прибору высохнуть.
4. Устанавливайте фильтры на место, когда вакуумная насадка сухая. См. «Фильтры» в разделе «Обслуживание».
5. Когда пылесборник высохнет, установите на него вакуумную насадку 4 и закрепите ее, закрыв защелки крышки 5.

ОТКЛЮЧЕНИЕ/ТРАНСПОРТИРОВКА (Рис. А)

1. Поверните переключатель питания 3 в положение ВЫКЛ.
2. Отключите изделие от сети.
3. Храните шнур питания 2, обернув его вокруг прочной ручки / держателя для шнура 1.
4. При перевозке в транспортных средствах закрепите пылесос.

ОБСЛУЖИВАНИЕ

Прибор DeWALT рассчитан на длительную работу с минимальным техническим обслуживанием.

Продолжительная и удовлетворительная работа зависит от правильного ухода за прибором и регулярной чистки.

▲ВНИМАНИЕ: чтобы снизить риск получения травм, выключайте прибор и отсоединяйте его от источника питания перед установкой и снятием принадлежностей, перед регулировкой или изменением настроек, а также при выполнении ремонтных работ. Случайный запуск может привести к травме.

▲ВНИМАНИЕ: Для обслуживания пользователем пылесос должен быть разобран, очищен и отремонтирован настолько, насколько это практически осуществимо, не создавая риска для обслуживающего персонала и других лиц. К соответствующим мерам предосторожности относятся отключение перед демонтажем, обеспечение местной фильтрованной вытяжной вентиляции в месте демонтажа пылесоса, уборка зоны технического обслуживания и соответствующие средства индивидуальной защиты.

- Производитель или уполномоченное лицо должны проводить техническую проверку не реже одного раза в год, включающую, например, проверку фильтра на предмет повреждений, герметичности пылесоса и правильности функционирования механизма управления.
- При проведении работ по обслуживанию или ремонту все загрязненные элементы, которые невозможно очистить надлежащим образом, должны быть утилизированы; такие предметы должны быть утилизированы в непроницаемых мешках в соответствии с действующими правилами утилизации таких отходов.

ФИЛЬТР (Рис. А, Н, I)

УХОД ЗА ФИЛЬТРАМИ

Фильтры, входящие в комплект этого пылесоса, имеют длительный срок службы. Чтобы эффективно минимизировать рециркуляцию пыли, фильтры ДОЛЖНЫ быть установлены правильно и находиться в хорошем состоянии.

▲ВНИМАНИЕ: при работе с фильтрами следует использовать соответствующие средства индивидуальной защиты, такие как респиратор и перчатки.

Снятие фильтра Clean Connect™

1. Поверните выключатель питания **3** в положение ВЫКЛ (O) и отключите шнур от розетки.
2. Освободите защелки крышки **5** и снимите вакуумную насадку **4** с контейнера. Положите вакуумную головку на ровную поверхность вверх дном.
3. Поверните каждый фильтр **9** против часовой стрелки, захватив его за пластиковую крышку, как показано, и осторожно снимите с насадки, убедившись, что мусор не попал в монтажное отверстие.

ПРИМЕЧАНИЕ: Соблюдайте осторожность, чтобы не повредить материал фильтра.

4. Если нижнюю часть вакуумной насадки **4** нужно очистить, используйте ткань, смоченную водой и мягким мылом, и дайте ей высохнуть. Утилизируйте ткань в подходящий контейнер.
5. Проверьте фильтры на износ, разрывы или другие повреждения.

ПРИМЕЧАНИЕ: Если есть сомнения относительно состояния фильтров, их **ОБЯЗАТЕЛЬНО** следует заменить. НЕ продолжайте использование, если фильтры повреждены.

▲ВНИМАНИЕ: никогда не используйте сжатый воздух или щетку для чистки фильтров, в противном случае произойдет повреждение мембраны фильтра, что позволит пыли проходить через фильтр. При необходимости слегка постучите по твердой поверхности или промойте водой комнатной температуры и дайте высохнуть на воздухе. Чистка фильтров, как правило, не требуется, даже если фильтр покрыт пылью. Автоматическая система очистки фильтра сохранит максимальную производительность и продолжит функционировать. При наличии видимых повреждений мембраны фильтра замените фильтры. Фильтры обычно служат от шести до двенадцати месяцев в зависимости от использования и ухода.

Установка фильтра Clean Connect™

1. Убедитесь, что уплотнение фильтра **15** на месте и надежно закреплено.
2. Совместите резьбу фильтра **16** с резьбой вакуумной насадки и, приложив умеренное усилие, поверните фильтр по часовой стрелке до упора.

ПРИМЕЧАНИЕ: Соблюдайте осторожность, чтобы не повредить материал фильтра.

3. Установите вакуумную насадку **4** на пылесборник и закрепите ее, закрыв защелки крышки **5**.

ПРИМЕЧАНИЕ: При сухой уборке снимите поролоновый фильтр и замените его картриджным фильтром.

Установка поролонового фильтра

Этот пылесос требует минимальной перенастройки при переходе от сухой к влажной уборке. Для сбора небольших объемов жидкости можно использовать чистый картриджный фильтр. Для достижения наилучших результатов при уборке большого количества жидкости снимите картриджный фильтр и все одноразовые или многоразовые пылевые фильтры. Установка поролонового фильтра **17** поможет защитить двигатель и свести к минимуму вероятность образования конденсата отработанного воздуха или капания жидкости вокруг крышки.

ОПОРОЖНЕНИЕ ПЫЛЕСБОРНИКА (Рис. К)

▲ВНИМАНИЕ: чтобы снизить риск получения травмы при случайном запуске, отсоедините шнур питания перед опорожнением пылесборника **6**.

1. Снимите узел силовой насадки пылесоса для влажной/сухой уборки, потянув наружу за зажимы крышки, расположенные с каждой стороны пылесоса. Снимите узел силовой насадки.
2. Вытряхните содержимое пылесборника в соответствующий контейнер для утилизации отходов.
3. Жидкости можно сливать через сливное **18** отверстие бака. Чтобы опорожнить ПЫЛЕСОС, выключите его и извлеките вилку из розетки. Снимите крышку сливного отверстия и слейте жидкие отходы в подходящий слив. После опорожнения бака верните крышку сливного отверстия в исходное положение. Чтобы продолжить использование, подключите шнур к розетке и включите пылесос.

ПОДКЛЮЧЕНИЕ ЭЛЕКТРОИНСТРУМЕНТА (Рис. L, M)

1. Убедитесь, что переключатель управления **3** находится в положении ВЫКЛ. и источник питания не подключен.
2. Предусмотрено 2 варианта следующего шага.
Вариант 1: Сначала подключите инструмент к пылесосу, затем подключите источник питания и установите переключатель питания **3** в положение ВКЛ. (I). В этот момент пылесос начнет работать.
Вариант 2: Сначала подключите инструмент к пылесосу, затем подключите источник питания и установите переключатель питания **3** в положение ВКЛ. (II). В этот момент электроинструмент можно начинать использовать.

▲ВНИМАНИЕ: используйте розетку пылесоса только для подключения внешнего электроинструмента. Пылесос автоматически включается и выключается с помощью подключенного электроинструмента. Подключаемая мощность электроинструмента не должна превышать максимальную подключаемую мощность РА розетки пылесоса. Также соблюдайте инструкцию по эксплуатации и меры предосторожности при подключении электроинструмента к розетке пылесоса.

РЕКОМЕНДАЦИЯ: всегда используйте пылесос с устройством защитного отключения (УЗО) с номинальным остаточным током 200 мА или менее. Перед подключением инструмента к пылесосу убедитесь, что выключатель электроинструмента находится в положении ВЫКЛ. После выключения электроинструмента, подключенного к розетке пылесоса, пылесос проработает около 15 секунд, а затем автоматически выключится.

ЭЛЕКТРОБЕЗОПАСНОСТЬ

1. Вилки электроинструментов должны соответствовать розеткам. Ни при каких обстоятельствах не модифицируйте вилку каким-либо образом. Не используйте никаких адаптеров с заземленными электроинструментами. Немодифицированные вилки и соответствующие розетки снизят риск поражения электрическим током.
2. Избегайте контакта тела с заземленными или не заземленными поверхностями, такими как трубы, радиаторы, плиты и холодильники. Риск поражения электрическим током возрастает, если ваше тело заземлено или не заземлено.
3. Не подвергайте электроинструменты воздействию дождя или влаги. Попадание воды в электроинструмент увеличивает риск поражения электрическим током.
4. Не допускайте неправильного использования шнура. Ни при каких обстоятельствах не используйте шнур для переноски, вытягивания или отключения электроинструмента от сети. Держите шнур вдали от источников тепла, масла, острых краев и движущихся частей. Поврежденные или запутанные шнуры повышают риск поражения электрическим током.
5. При работе с электроинструментом на открытом воздухе используйте удлинитель, подходящий для эксплуатации на открытом воздухе. Использование шнура, подходящего для эксплуатации на открытом воздухе, снижает риск поражения электрическим током.
6. Если эксплуатация электроинструмента во влажном месте неизбежна, используйте источник питания, защищенный устройством защитного отключения (УЗО). Используйте УЗО, чтобы снизить риск поражения электрическим током.
7. Электродвигатель рассчитан только на одно напряжение. Всегда проверяйте, соответствует ли напряжение электропитания напряжению, указанному на заводской табличке. Если шнур питания поврежден, его замена должна производиться только компанией DEWALT или авторизованной сервисной организацией.

ЗАМЕНА СЕТЕВОЙ ВИЛКИ (ТОЛЬКО ДЛЯ ВЕЛИКОБРИТАНИИ И ИРЛАНДИИ)

Если необходимо установить новую сетевую вилку:

- Безопасно утилизируйте старую вилку.
- Подсоедините коричневый провод к фазной клемме вилки.
- Подключите синий провод к нейтральной клемме.
- Подсоедините желто-зеленый провод к клемме заземления.

Следуйте инструкциям по установке, прилагаемым к качественным заглушкам. Рекомендуемый предохранитель: 13 А.

▲ ВНИМАНИЕ: Никогда не пользуйтесь электропатроном. Никогда не подключайте фазный (L) или нейтральный (N) провод к заземляющему контакту, обозначенному E или \perp .

ИСПОЛЬЗОВАНИЕ УДЛИНИТЕЛЬНОГО КАБЕЛЯ

Если требуется удлинительный кабель, используйте одобренный трехжильный удлинительный кабель, подходящий для входной мощности этого инструмента (см. Технические данные). Минимальное сечение проводника — 1,5 мм², максимальная длина — 30 м.

При использовании кабельной катушки всегда полностью разматывайте кабель.

ФУНКЦИЯ ВЫДУВАНИЯ (Рис. С)

▲ ВНИМАНИЕ: во избежание травмирования прохожих не допускайте попадания на них разлетающегося мусора.

Пылесос оснащен функцией выдувания. Он способен сдувать опилки и другой мусор. Его можно использовать для сдувания пыли и мусора из гаражей, а также с террас и подъездных путей. Чтобы использовать пылесос в качестве воздуходувки, выполните следующие действия.

1. Найдите отверстие выдувания на пылесосе.
2. Вставьте один конец шланга в отверстие выдувания.
3. Включите пылесос.

ХРАНЕНИЕ (Рис. А)

1. Опорожните пылесборник в соответствии с разделом «ОПОРОЖНЕНИЕ ПЫЛЕСБОРНИКА».
2. Очистите пылесос внутри и снаружи. См. раздел «ОЧИСТКА».
3. Очистите или замените фильтры, см. раздел «ФИЛЬТР».
4. Храните шланг и шнур питания, как показано на **Рис. А**. Поместите прибор в сухое помещение и защитите его от несанкционированного использования.

ДОПОЛНИТЕЛЬНЫЕ ПРИНАДЛЕЖНОСТИ

▲ ВНИМАНИЕ: поскольку принадлежности, отличные от предлагаемых DeWALT, не были испытаны с данным изделием, их использование с пылесосом может быть опасным.

Чтобы снизить риск получения травм, с данным изделием следует использовать только рекомендованные DeWALT принадлежности.

ОЧИСТКА

Чтобы пылесос для сухой/влажной уборки оставался в наилучшем состоянии, протирайте его внешнюю поверхность тканью, смоченной теплой водой с мягким мылом.

Очистка бака:

1. Выбросьте мусор.
2. Тщательно промойте бак теплой водой с мягким мылом.
3. Протрите сухой тканью.

ПОИСК И УСТРАНЕНИЕ НЕИСПРАВНОСТЕЙ

▲ ВНИМАНИЕ:

Незначительные неполадки часто можно устранить, не обращаясь в службу поддержки клиентов.

ПРОБЛЕМА	РЕШЕНИЕ
Двигатель не работает	Проверьте шнур питания, вилки и розетку.
	Убедитесь, что переключатель питания находится в положении ВКЛ. (I).
Мощность всасывания уменьшается	Устраните засоры в насадке для пола, удлинительных трубках, шланге или фильтре.
	Замените одноразовый мешок для пыли.
	Проверьте правильность установки фильтра.
	Очистите или замените фильтр.
Вакуум не работает	Опорожните пылесборник, см. « ОПОРОЖНЕНИЕ ПЫЛЕСБОРНИКА » в разделе « ИНСТРУКЦИЯ ПО ЭКСПЛУАТАЦИИ ».
	Сработала защита от тепловой перегрузки:
	1. Отключите вакуум и отсоедините пылесос от источника питания.
	2. При необходимости опорожните пылесборник.
	3. Дайте пылесосу остыть.
4. Подключите шнур питания к соответствующей розетке и переведите переключатель в положение ВКЛ. (I) для проверки.	
Пыль выходит во время уборки	Проверьте правильность установки фильтров.
	Убедитесь, что фильтры не повреждены; при необходимости замените.
	Убедитесь, что уплотнения фильтра на месте и надежно закреплены.
	Проверьте установку вакуумной насадки.

▲ ВНИМАНИЕ: если шнур питания поврежден, во избежание опасности замену должен выполнять производитель, его сервисный агент или лицо с аналогичной квалификацией.

▲ ВНИМАНИЕ: данное изделие НЕ предназначено для фильтрации патогенов, например COVID-19. Соблюдайте все местные, государственные и федеральные правила по общим правилам уборки.



Belgique et Luxembourg België en Luxemburg	DEWALT - Belgium BVBA Egide Walschaertsstraat 16 2800 Mechelen	Tel: NL 32 15 47 37 63 Tel: FR 32 15 47 37 64 Fax: 32 15 47 37 99	www.dewalt.be Enduser.be@SBDinc.com
Bosnia-Herzegovina	G-M&M D.O.O. BRVACE 11 1290 GROSUPLJE SLOVENIJA	Tel: +386 01 78 66 500 Fax: +386 01 78 63 023	www.g-mm.si gmm@g-mm.si
Bulgaria	TASHEV-GALVING LTD 68 KLIMENT OHRIDSKI BLVD. 1786 SOFIA, BULGARIA	Tel: +359 2 700 45 45 4 Fax: +359 (2) 439 21 12	www.tashev-galving.com
Croatia	G-M&M D.O.O. BRVACE 11 1290 GROSUPLJE SLOVENIJA	Tel: +386 01 78 66 500 Fax: +386 01 78 63 023	www.g-mm.si gmm@g-mm.si
Czech Republic	BAND SERVIS CZ S.R.O. K PASEKAM 4440 760 01 ZLÍN, CZECH REPUBLIC	Tel.: +420 577 008 550 Fax.: +420 577 008 559	www.dewalt.cz www.bandservis.cz
Danmark	DEWALT Roskildevej 22 2620 Albertslund	Tel.: +420 577 008 550 Fax.: +420 577 008 559	www.dewalt.dk kundeservice.dk@sbdinc.com
Deutschland	DEWALT Richard Klingner Str. 11 65510 Idstein	Tel: 06126-21-1 Fax: 06126-21-2770	www.dewalt.de infodwge@sbdinc.com
Δλλάρ	DEWALT (ΕΛΛΑΣ) Α.Ε. ΕΔΡΑ: ΓΡΑΦΕΙΑ : Στρατώνος 7 Σ.Α. Βουλιαγμένης, Τηλεφώνο 109 74, Αθήνα SERVICE : Πηγάριος Γιώργος 2 (Κόνη Αδών) – 193 00 Ασπρόπυργος	Τηλ): 00302108981616 Φαξ: 00302108983570	www.dewalt.gr Greece.Service@sbdinc.com
España	DEWALT Ibérica, S.C.A. Parc de Negocios "Mas Blau" Edificio Muntadas, c/Bergadá, 1, Of. A6 08820 El Prat de Llobregat (Barcelona)	Tel: 934 797 400 Fax: 934 797 419	www.dewalt.es respuesta.postventa@sbdinc.com
Estonia	AS TALLMAC MUSTAME TEE 44, EE-10621 TALLINN	T: +372 6562999 F: +372 6562855	www.tallmac.ee/est
France	DEWALT 5, allée des Hêtres CS60105, 69579 Limonest Cedex	Tel: 04 72 20 39 20 Fax: 04 72 20 39 00	www.dewalt.fr scuf@sbinc.com
Schweiz Suisse Svizzera	DEWALT In der Luberzen 42 8902 Urdorf	Tel: 044 - 755 60 70 Fax: 044 - 730 70 67	www.dewalt.ch service@rofoag.ch
Hungary	FIXIT Hungary Kft Zsolcai kapu 9-11 3526 Miskolc	Tel +36 46 500 385	blackanddecker@hu.fixit-service.com
Ireland	DEWALT 210 Bath Road; Slough, Berks SL1 3YD, UK	Tel: +44 (0)1753 511234 Fax: +44 (0)1753 512365	www.dewalt.ie
Italia	DEWALT via Energypark 20871 Vimercate (MB), IT	Tel: 800-014353 39 039 9590200 Fax: 39 039 9590313	www.dewalt.it
Latvia	LIC GŪTUS SIA ULBROKAS STR. LT - 1021 RIGA	T: +371 67556949 F: +371 67555140	www.liogotus.lv
Lithuania	UAB ELREMTA OU NERIES KR. 16E LT - 48402 KAUNAS	T: +370-685-29035 F: +370-37-406540	info@elremta.lt
Malta	ENERGYPARK-BUILDING 03 SUD, VIA ENERGY PARK 620871 VIMERCATE (MB), ITALIA	Tel. 039-9590-200 Fax 039-9590-313	www.2helpU.com
Nederlands	DEWALT Netherlands BV Postbus 83	Tel: 31 164 283 063 Fax: 31 164 283 200	www.dewalt.nl Enduser.NL@SBDinc.com
Norge	DEWALT Postboks 4613, Nydalen 0405 Oslo		www.dewalt.no kundeservice.no@sbdinc.com
Österreich	DEWALT Werkzeug Vertriebsges m.b.H Oberlaaerstrasse 248, A-1230 Wien	Tel: 01 - 66116 - 0 Fax: 01 - 66116 - 614	www.dewalt.at service.austria@sbdinc.com
Poland	ERPATECH UL. BAKALIOWA 26 05-080 MOŚCISKA	Tel.: +48 22 431 05 00 Fax.: +48 22 468 87 35	www.dewalt.pl www.erpatech.pl/serwis serwis@erpatech.pl
Portugal	DEWALT Limited, SARL Centro de Escritórios de Sintra Avenida Almirante Gago Coutinho, 132/134, Edifício 14 2710-418 Sintra	Tel: 214 66 75 00 Fax: 214 66 75 80	www.dewalt.pt resposta.posvenda@sbdinc.com

Romania	STANLEY BLACK & DECKER PHOENICIA BUSINESS CENTER STRADA TURTURELELOR, NR 11A, ETAJ 6, MODUL 15, SECTOR 3 BUCURESTI	T: +4021.320.61.04/05 F: +4037.225.36.84	www.dewalt.ro
Serbia	SG-M&M D.O.O. BRVACE 11 1290 GROSUPLJE SLOVENIJA	T: +386 01 78 66 500 F: +386 01 78 63 023	www.2helpU.com www.g-mm.si gmm@g-mm.si
Slovakia	BAND SERVIS S.R.O. PAULINSKA 22 917 01 TRNAVA, SLOVAKIA	Tel.: +421 335 511 063 Fax.: +421 335 512 624	www.2helpU.com www.bandservis.sk
Slovenia	G-M&M D.O.O. BRVACE 11 1290 GROSUPLJE SLOVENIJA	T: +386 01 78 66 500 F: +386 01 78 63 023	www.dewalt.com www.g-mm.si gmm@g-mm.si
Suomi	DEWALT PL 47 00521 Helsinki		www.dewalt.fi asiakaspalvelu.fi@sbdinc.com
Sverige	DEWALT Box 94 431 22 Mölndal		www.dewalt.se kundservice.se@sbdinc.com
United Kingdom	DEWALT 210 Bath Road; Slough, Berks SL1 3YD	Tel: 01753-567055 Fax: 01753-572112	www.dewalt.co.uk emeaservice@sbdinc.com

GUARANTEE

DeWALT EUROPEAN POWER TOOLS 3 YEARS GUARANTEE

DeWALT is confident of the quality of its products and offers an outstanding guarantee for professional users of the product. This guarantee statement is in addition to and in no way prejudices your contractual rights as a professional user or your statutory rights as a private non-professional user. The guarantee is valid within the territories of the Member States of the European Union and the European Free Trade Area.

Subject to the DeWALT European PPT Guarantee terms and conditions available from your local DeWALT office, seller or at www.2helpU.com, if your DeWALT product becomes defective due to faulty materials or workmanship within 36 months from the date of purchase, DeWALT may replace all defective parts free of charge, or at our discretion, replace the unit free of charge.

DeWALT reserves the right to refuse any claim under this guarantee which in the opinion of the authorised repair agent is not in accordance with the stated DeWALT European Guarantee terms and conditions.

If you wish to make a claim, contact your seller or check the location of your nearest authorised DeWALT repair agent online, in the DeWALT catalogue or contact your DeWALT office at the address indicated in the instruction manual.

A list of authorised DeWALT repair agents and full details of our after-sales service is available on the Internet at: www.2helpU.com

DeWALT EUROPEAN POWER TOOL (PT) 3 YEAR GUARANTEE

The DeWALT European PT Guarantee for your product is 3 years from the date of purchase subject to the following terms and conditions.

1. General terms and Conditions

1.1 The DeWALT European PT 3 Year Guarantee is available to the original DeWALT product user who has purchased the DeWALT products from an authorised DeWALT European reseller for use in the course of their trade or profession.

The DeWALT European PT Guarantee is not available to persons purchasing DeWALT product for the purpose of resale or Hire.

1.2 This guarantee is not transferrable. It is only available to the original DeWALT product user who has purchased the product as identified above.

1.3 In addition to the terms and conditions outlined in this document, the terms and conditions stated in the DeWALT European PT Guarantee also apply.

1.4 A product repair or replacement under this guarantee does not extend or renew the guarantee period. The 3 year guarantee period starts from the original purchase date and ends 36 months later.

1.5 This product is excluded from the DeWALT 30-1-1 policy withdrawn 01-01-2016.

2. Products excluded from the DeWALT European PT 3 Year Guarantee. In addition to the product exclusions stated in the DeWALT European PT Guarantee, section 3, the following DeWALT branded products are also excluded:

Fastening Tools e.g. Nailers, Powder Impact tools.

Batteries and Chargers.

Rebuilt or Reconditioned products identified with additional markings – "Factory rework" and/or "Q".

Compressors and generators.

3. Making a Guarantee Claim

3.1 To make a guarantee claim contact your seller or check the location of your nearest DeWALT authorised DeWALT repair agent at www.2helpU.com.

3.2 The DeWALT Tool must be returned to the seller or an authorised DeWALT repair agent with all parts complete, with the original proof of purchase.

3.3 DeWALT reserves the right to refuse any claim under this guarantee which in the opinion of the authorised repair agent is not due to material or manufacturing defect or in accordance with the stated DeWALT European PT Guarantee terms and conditions.

4. Changes to Terms and Conditions

4.1 DeWALT reserves the right to review and amend its guarantee policies, periods and product eligibility without notice as DeWALT considers appropriate.

4.2 Current DeWALT European PT Guarantee Terms and Conditions are available from www.2helpU.com, your local DeWALT seller or DeWALT office.

DXV30SAPTA

EC-Declaration of Conformity



GB ALTON declares that these products described under Product Specifications are in compliance with:
Machinery Directive 2006/42/EU
EN 60335-2-69:2012
EN 60335-1:2012 +A11:2014 +A13:2017 + A1:2019 +A14:2019 +A2:2019 +A15:2021 EN 60335-2-69:2012
Electromagnetic Compatibility Directive 2014/30/EU
EN IEC 55014-1:2021
EN IEC 55014-2: 2021
EN IEC 61000-3-2: 2019+A1:2021
EN 61000-3-3:2013+A1:2019+A2:2021
RoHS Directive 2011/65/EU and (EU) 2015/863
This declaration of conformity is issued under the sole responsibility of the manufacturer.

PL ALTON deklaruje, że te produkty opisane w Specyfikacjach Produktu są zgodne z:
Dyrektywa Maszynowa 2006/42/EU
EN 60335-2-69:2012
EN 60335-1:2012 +A11:2014 +A13:2017 + A1:2019 +A14:2019 +A2:2019 +A15:2021 EN 60335-2-69:2012
Dyrektywa o kompatybilności elektromagnetycznej 2014/30/EU
EN IEC 55014-1:2021
EN IEC 55014-2: 2021
EN IEC 61000-3-2: 2019+A1:2021
EN 61000-3-3:2013+A1:2019+A2:2021
Dyrektywa RoHS 2011/65/UE i (UE) 2015/863
Niniejsze oświadczenie o zgodności jest wydane pod wyłączną odpowiedzialnością producenta.

SV ALTON izjavlja, da ti izdelki, opisani v specifikacijah izdelka, ustrezajo:
Direktiva o strojih 2006/42/EU
EN 60335-2-69:2012
EN 60335-1:2012 +A11:2014 +A13:2017 + A1:2019 +A14:2019 +A2:2019 +A15:2021 EN 60335-2-69:2012
Direktiva o elektromagnetni skladnosti 2014/30/EU
EN IEC 55014-1:2021
EN IEC 55014-2: 2021
EN IEC 61000-3-2: 2019+A1:2021
EN 61000-3-3:2013+A1:2019+A2:2021
RoHS direktiva 2011/65/EU in (EU) 2015/863
To izjavo o skladnosti izdaja proizvajalec, ki nosi popolno odgovornost.

BIH ALTON izjavlja da su ovi proizvodi opisani u Specifikacijama proizvoda u skladu sa:
Direktiva o mašinamac 2006/42/EU
EN 60335-2-69:2012
EN 60335-1:2012 +A11:2014 +A13:2017 + A1:2019 +A14:2019 +A2:2019 +A15:2021 EN 60335-2-69:2012
Direktiva o elektromagnetskoj kompatibilnosti 2014/30/EU
EN IEC 55014-1:2021
EN IEC 55014-2: 2021
EN IEC 61000-3-2: 2019+A1:2021
EN 61000-3-3:2013+A1:2019+A2:2021
RoHS direktiva 2011/65/EU i (EU) 2015/863
Ova izjava o usklađenosti izdaje se pod isključivom odgovornošću proizvođača.

HR ALTON izjavljuje da su ovi proizvodi opisani u Specifikacijama proizvoda u skladu sa:
Direktiva o mašinama 2006/42/EU
EN 60335-2-69:2012
EN 60335-1:2012 +A11:2014 +A13:2017 + A1:2019 +A14:2019 +A2:2019 +A15:2021 EN 60335-2-69:2012
Direktiva o elektromagnetskoj kompatibilnosti 2014/30/EU
EN IEC 55014-1:2021
EN IEC 55014-2: 2021
EN IEC 61000-3-2: 2019+A1:2021
EN 61000-3-3:2013+A1:2019+A2:2021
RoHS direktiva 2011/65/EU i (EU) 2015/863
Ova izjava o usklađenosti izdaje se pod isključivom odgovornošću proizvođača.

LV ALTON paziņo, ka šie produkti, kas aprakstīti produkta specifikācijās, atbilst:
Mašīnu direktīva 2006/42/EU
EN 60335-2-69:2012
EN 60335-1:2012 +A11:2014 +A13:2017 + A1:2019 +A14:2019 +A2:2019 +A15:2021 EN 60335-2-69:2012
Elektromagnētiskās savietojamības direktīva 2014/30/EU
EN IEC 55014-1:2021
EN IEC 55014-2: 2021
EN IEC 61000-3-2: 2019+A1:2021
EN 61000-3-3:2013+A1:2019+A2:2021
RoHS direktīva 2011/65/EU un (EU) 2015/863
Šis atbilstības paziņojums tiek izdots ražotāja pilnīgā atbildībā.

EE ALTON kuulub, et need tooted, mis on kirjeldatud toote spetsifikatsioonides, vastavad:
Masinate direktiiv 2006/42/EU
EN 60335-2-69:2012
EN 60335-1:2012 +A11:2014 +A13:2017 + A1:2019 +A14:2019 +A2:2019 +A15:2021 EN 60335-2-69:2012
Elektromagnetilise ühilduvuse direktiiv 2014/30/EU
EN IEC 55014-1:2021
EN IEC 55014-2: 2021
EN IEC 61000-3-2: 2019+A1:2021
EN 61000-3-3:2013+A1:2019+A2:2021
RoHS direktiiv 2011/65/EU ja (EU) 2015/863
See vastavuse deklaratsioon on välja antud tootja ainuvastutusel.

LT ALTON deklaruoja, kad šie produktai, aprašyti produkto specifikacijose, atitinka:
Mašinų direktyva 2006/42/EU
EN 60335-2-69:2012
EN 60335-1:2012 +A11:2014 +A13:2017 + A1:2019 +A14:2019 +A2:2019 +A15:2021 EN 60335-2-69:2012
Elektromagnetinio suderinamumo direktyva 2014/30/EU
EN IEC 55014-1:2021
EN IEC 55014-2: 2021
EN IEC 61000-3-2: 2019+A1:2021
EN 61000-3-3:2013+A1:2019+A2:2021
RoHS direktyva 2011/65/EU ir (EU) 2015/863
Šis atitikties pareiškimas pateikiamas pagal gamintojo visišką atsakomybę.

SRB ALTON izjavljuje da ovi proizvodi opisani u Specifikacijama Proizvoda udovoljavaju:
Direktiva o mašinama 2006/42/EU
EN 60335-2-69:2012
EN 60335-1:2012 +A11:2014 +A13:2017 + A1:2019 +A14:2019 +A2:2019 +A15:2021 EN 60335-2-69:2012
Direktiva o elektromagnetnoj kompatibilnosti 2014/30/EU
EN IEC 55014-1:2021
EN IEC 55014-2: 2021
EN IEC 61000-3-2: 2019+A1:2021
EN 61000-3-3:2013+A1:2019+A2:2021
RoHS direktiva 2011/65/EU i (EU) 2015/863
Ova izjava o usklađenosti izdaje se pod isključivom odgovornošću proizvođača.

BG ALTON декларира, че продуктите, описани в Техническите спецификации, отговарят на:
Директива за машини 2006/42/EU
EN 60335-2-69:2012
EN 60335-1:2012 +A11:2014 +A13:2017 + A1:2019 +A14:2019 +A2:2019 +A15:2021 EN 60335-2-69:2012
Директива за електромагнитна съвместимост 2014/30/EU
EN IEC 55014-1:2021
EN IEC 55014-2: 2021
EN IEC 61000-3-2: 2019+A1:2021
EN 61000-3-3:2013+A1:2019+A2:2021
Директива RoHS 2011/65/EU и (EU) 2015/863
Тази декларация за съответствие се издава под изцяло отговорността на производителя.

CZ ALTON prohlašuje, že tyto produkty popsané ve Specifikacích Produktu jsou v souladu s:
Směrnice o strojních zařízeních 2006/42/EU
EN 60335-2-69:2012
EN 60335-1:2012 +A11:2014 +A13:2017 + A1:2019 +A14:2019 +A2:2019 +A15:2021 EN 60335-2-69:2012
Směrnice o elektromagnetické kompatibilitě 2014/30/EU
EN IEC 55014-1:2021
EN IEC 55014-2: 2021
EN IEC 61000-3-2: 2019+A1:2021
EN 61000-3-3:2013+A1:2019+A2:2021
Směrnice RoHS 2011/65/EU a (EU) 2015/863
Toto prohlášení o shodě je vydáno pod výhradní odpovědností výrobce.

SK ALTON vyhlasuje, že tieto produkty popísané v špecifikáciách produktu sú v súlade s:
Smernica o strojových zariadeniach 2006/42/EU
EN 60335-2-69:2012
EN 60335-1:2012 +A11:2014 +A13:2017 + A1:2019 +A14:2019 +A2:2019 +A15:2021 EN 60335-2-69:2012
Smernica o elektromagnetickej kompatibilitě 2014/30/EU
EN IEC 55014-1:2021
EN IEC 55014-2: 2021
EN IEC 61000-3-2: 2019+A1:2021
EN 61000-3-3:2013+A1:2019+A2:2021
RoHS smernica 2011/65/EU a (EU) 2015/863
Toto vyhlásenie o zhode je vydané pod výhradnou zodpovednosťou výrobcu.

UA ALTON заявляє, що ці продукти, описані в технічних характеристиках продукту, відповідають:
Директива по машинам 2006/42/EU
EN 60335-2-69:2012
EN 60335-1:2012 +A11:2014 +A13:2017 + A1:2019 +A14:2019 +A2:2019 +A15:2021 EN 60335-2-69:2012
Директива електромагнітної сумісності 2014/30/EU
EN IEC 55014-1:2021
EN IEC 55014-2: 2021
EN IEC 61000-3-2: 2019+A1:2021
EN 61000-3-3:2013+A1:2019+A2:2021
Директива RoHS 2011/65/EU та (EU) 2015/863
Ця декларація відповідності видається під повну відповідальність виробника.

RU Компания ALTON заявляет, что продукция, описанная в разделе «Характеристики продукции», соответствует следующему:
Директива по машинному оборудованию 2006/42/EU
EN 60335-2-69:2012
EN 60335-1:2012 +A11:2014 +A13:2017 + A1:2019 +A14:2019 +A2:2019 +A15:2021 EN 60335-2-69:2012
Директива об электромагнитной совместимости 2014/30/EU
EN IEC 55014-1:2021
EN IEC 55014-2: 2021
EN IEC 61000-3-2: 2019+A1:2021
EN 61000-3-3:2013+A1:2019+A2:2021
Директива по ограничению использования опасных веществ 2011/65/ЕС и (ЕС) 2015/863
Настоящая декларация о соответствии выдается под исключительную ответственность производителя.

john bao

John Bao
Senior Manager
Suzhou Alton Electrical & Mechanical Industry Co., Ltd.
North linhu Road, East Laixiu Road, Wujiang Foho Economic
Development Zone, Jiangsu, 215211, China
12.10.2024

Copyright © 2026 DeWALT.
DeWALT®, the DeWALT logo and GUARANTEED TOUGH® are
trademarks of The Black & Decker Corporation and are used under licence.
All rights reserved.

Manufactured under license by Alton Ltd. Group
For more information, please contact ALTON
at the following address:
Alton Europe B.V.
Logistiekweg 18, 4906 AB Oosterhout, The Netherlands
E-Mail: EUSales@altonindustries.com

For Customer Service please visit our Online Customer Service Centre at
www.2helpU.com

ДОДАТКОВІ ПРИНАЛЕЖНОСТІ

▲ПОПЕРЕДЖЕННЯ: оскільки приладдя, відмінні від тих, які надає DeWALT, не були протестовані на даному виробі, використання такого приладдя з приладом може бути небезпечним. Щоб знизити ризик отримання травм, з даним виробом слід використовувати тільки аксесуари, рекомендовані DeWALT.

ОЧИЩЕННЯ

Протріть поверхню пиლოსоса для вологого/сухого прибирання теплою тканиною, змоченою у воді з м'яким милом.

Щоб очистити резервуар:

1. Видаліть сміття.
2. Ретельно промийте резервуар теплою водою з м'яким милом.
3. Протріть сухою тканиною.

УСУНЕННЯ НЕСПРАВНОСТЕЙ

▲ПОПЕРЕДЖЕННЯ:

Незначні проблеми часто можна вирішити, не звертаючись до служби підтримки.

ПРОБЛЕМА	РІШЕННЯ
Двигун не працює	Перевірте шнур живлення, вилки та розетку. Переконайтеся, що перемикач Вкл/Викл знаходиться в положенні ВКЛ («I» або «II»)
Потужність всмоктування знижується	Видаліть засмічення в насадці для прибирання, подовжувачах, шлангу або фільтрі. Замініть одноразовий мішок для збору пилу. Перевірте правильність установки фільтра. Очистіть або замініть фільтр. Спорожніть пилозбірник, див. розділ СПОРОЖНЕННЯ ПИЛОЗБІРНИКА в ІНСТРУКЦЯХ ПО ЕКСПЛУАТАЦІЇ.
Пилосос перестає працювати	Спрацювало теплове перевантаження.: 1. Вимкніть пиლოსос і від'єднайте його від джерела живлення. 2. При необхідності спорожніть пилозбірник. 3. Дайте приладу охолонути. 4. Підключіть шнур живлення до відповідної розетки та встановіть перемикач Вкл/Викл положення ВКЛ («I» або «II») для тестування.
При вакуумуванні утворюється пил	Перевірте правильність установки фільтрів. Переконайтеся, що фільтри не пошкоджені; при необхідності замініть їх. Переконайтеся, що ущільнення фільтра встановлені на місце і надійно закріплені. Перевірте стан вакуумної головки.

▲ ПОПЕРЕДЖЕННЯ: Якщо шнур живлення пошкоджений, він повинен бути замінений виробником, його сервісним агентом або іншим кваліфікованим фахівцем, щоб уникнути виникнення небезпеки.

▲ ПОПЕРЕДЖЕННЯ: Цей продукт не призначений для фільтрації патогенних мікроорганізмів, наприклад COVID-19. Дотримуйтесь усіх місцевих, державних та федеральних рекомендацій щодо загального прибирання.

ГАРАНТІЯ НА
ІНСТРУМЕНТ

3

ОБМЕЖЕНА
РІЧНА
ГАРАНТІЯ