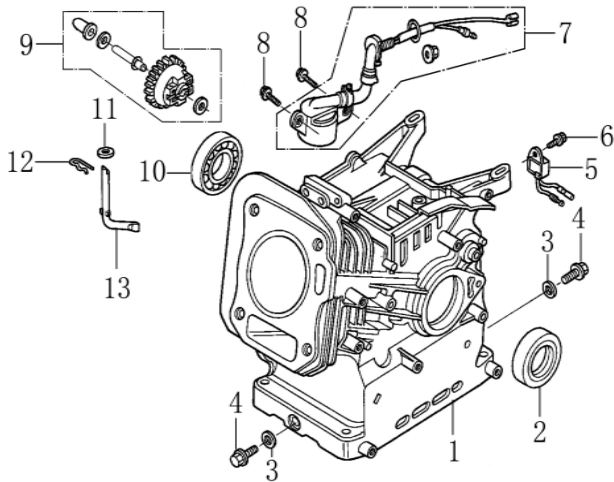


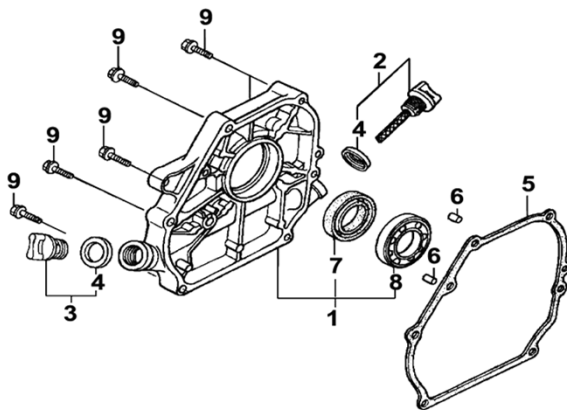
P-01 Cylinder head

| Ser.No. | Description | Quantity |
|---------|----------------------|----------|
| 1 | Cylinder head comp | 1 |
| 2 | Stud bolt M6×113 | 2 |
| 3 | Dowel pin 10×16 | 2 |
| 4 | Cylinder head gasket | 1 |
| 5 | Stud bolt M8×32 | 2 |
| 6 | Spark plug | 1 |
| 7 | Flange bolt M8x60 | 4 |
| 8 | Head cover packing | 1 |
| 9 | Head cover comp | 1 |
| 10 | Flange bolt M6x12 | 4 |
| 11 | Exhaust pipe | 1 |



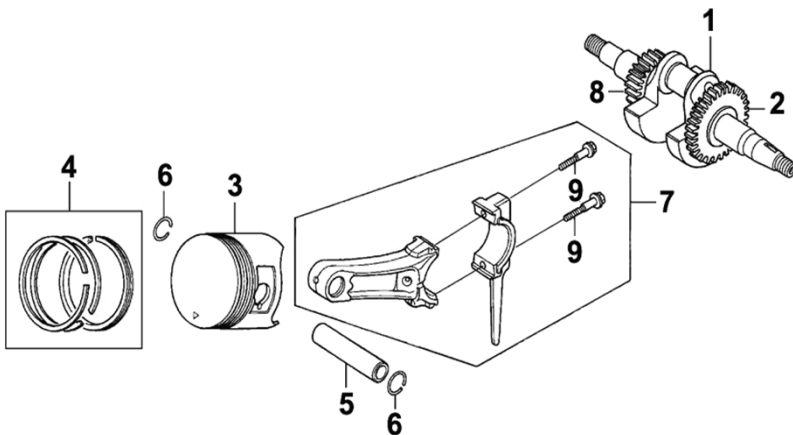
P-02 Crankcase

| Ser.No. | Description | Quantity |
|---------|---------------------------|----------|
| 1 | Crankcase assy | 1 |
| 2 | Oil seal 25×41.25×6 | 1 |
| 3 | Drain bolt washer | 2 |
| 4 | Drain bolt | 2 |
| 5 | Diode | 1 |
| 6 | Flange bolt M6x12 | 1 |
| 7 | Oil sensor | 1 |
| 8 | Flange bolt M6×16 | 2 |
| 9 | Governor kit | 1 |
| 10 | Radial ball bearing(6205) | 1 |
| 11 | Plain washer 6mm | 1 |
| 12 | Lock pin | 1 |
| 13 | Governor arm | 1 |



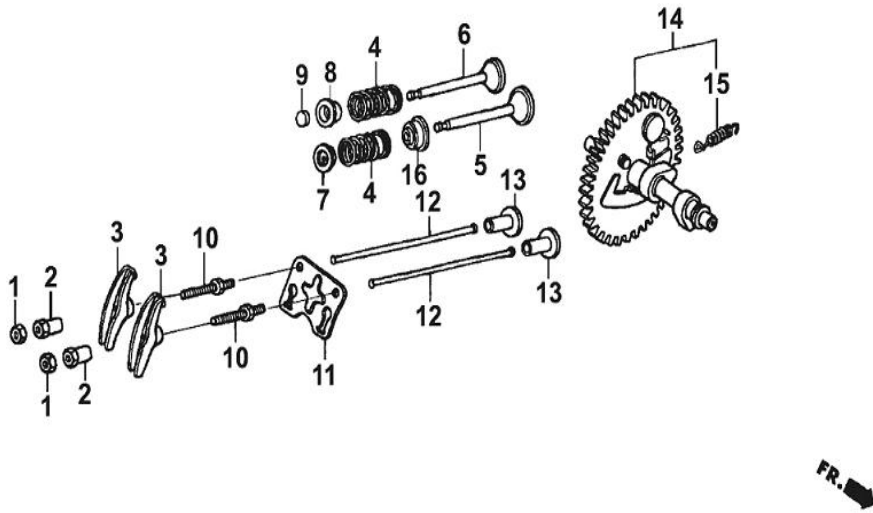
P-03 Crankcase cover assembly

| Ser.No. | Description | Quantity |
|---------|---------------------------|----------|
| 1 | Crankcase cover assy | 1 |
| 2 | Oil level cap assy | 1 |
| 3 | Oil filler plug | 1 |
| 4 | Oil level cap packing | 2 |
| 5 | Case cover packing | 1 |
| 6 | Dowel pin 8x14 | 2 |
| 7 | Oil seal 25×41.25×6 | 1 |
| 8 | Radial ball bearing(6205) | 1 |
| 9 | Flange bolt | 6 |



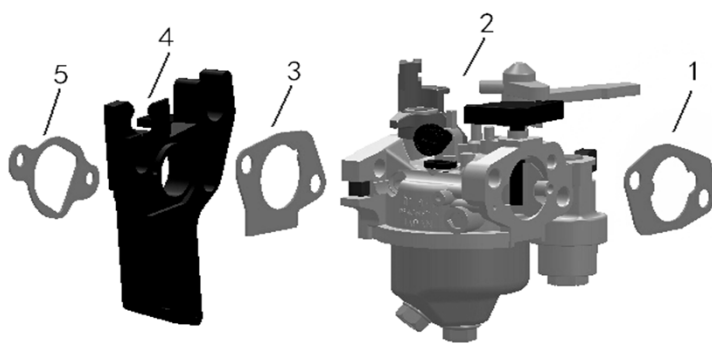
P-04 Crankshaft ,piston&tie-rod,balancing shaft

| Ser.No. | Description | Quantity |
|---------|------------------------------|----------|
| 1 | Crankshaft comp | 1 |
| 2 | Speed- regulating drive gear | 1 |
| 3 | Piston | 1 |
| 4 | | 1 |
| 5 | Piston pin | 1 |
| 6 | Piston pin clip 18mm | 2 |
| 7 | Connecting rod assy | 1 |
| 8 | Timing master gear | 1 |
| 9 | Connecting rod bolt | 2 |



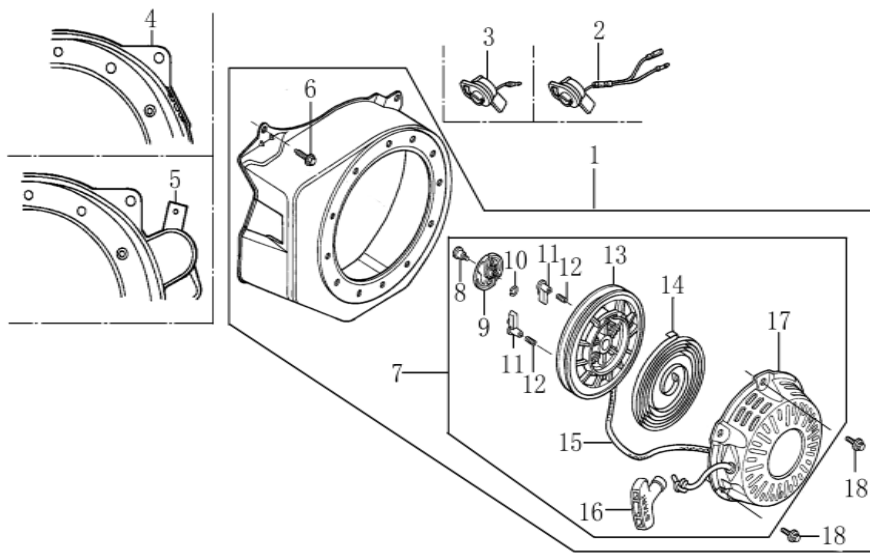
P-05 Camshaft

| Ser.No. | Description | Quantity |
|---------|-------------------------------|----------|
| 1 | Pivot adjusting nut | 2 |
| 2 | Rocker pivot | 2 |
| 3 | Valve rocker | 2 |
| 4 | Valve spring | 2 |
| 5 | Intake valve | 1 |
| 6 | Exhaust valve | 1 |
| 7 | Intake valve spring seat | 1 |
| 8 | Exhaust valve spring seat | 1 |
| 9 | Valve rotator | 1 |
| 10 | Pivot bolt | 2 |
| 11 | Push rod guide plate | 1 |
| 12 | Push rod | 2 |
| 13 | Valve lifter | 2 |
| 14 | Camshaft assy | 1 |
| 15 | Weight return spring | 1 |
| 16 | Exhaust valve spring retainer | 1 |



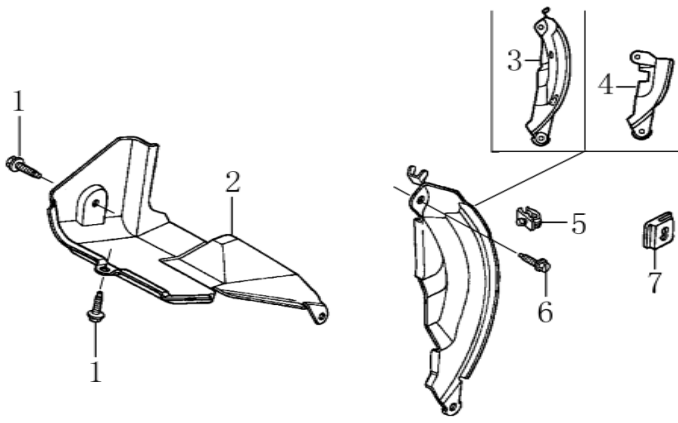
P-06 Carburetor assy

| Ser.No. | Description | Quantity |
|---------|-----------------------------|----------|
| 1 | Gasket inlet | 1 |
| 2 | Carburetor assy | 1 |
| 3 | Gasket, carburetor | 1 |
| 4 | Insulator plate, carburetor | 1 |
| 5 | Gasket, Insulator plate | 1 |



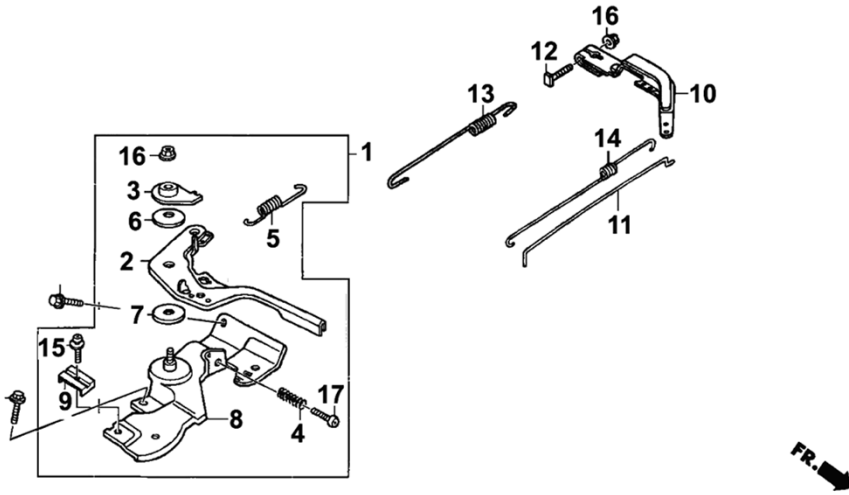
P-07 Recoil starter

| Ser.No. | Description | Quantity |
|---------|-------------------------------|----------|
| 1 | RECOIL STARTER COMP. | 1 |
| 2 | SWITCH ASSY., ENGINE STOP(OIL | 1 |
| 3 | SWITCH ASSY., ENGINE STOP | 1 |
| 4 | Fan cover comp | 1 |
| 5 | | |
| 6 | Flange bolt M6x12 | 4 |
| 7 | Recoil starter assy | 1 |
| 8 | Setting screw | 1 |
| 9 | Ratchet guide | 1 |
| 10 | spring | 1 |
| 11 | Starter ratchet | 2 |
| 12 | Return spring | 2 |
| 13 | Recoil starter reel | 1 |
| 14 | Recoil starter spring | 1 |
| 15 | Recoil starter rope | 1 |
| 16 | Recoil starter knob | 1 |
| 17 | Recoil starter case comp | 1 |
| 18 | Flange bolt M6x6 | 3 |



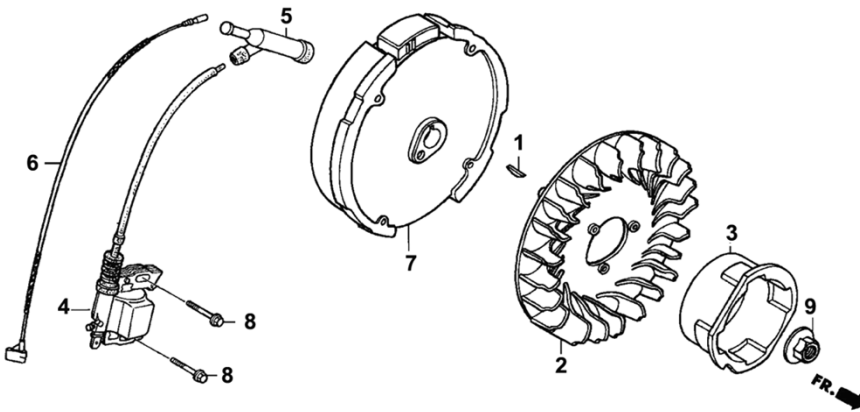
P-08 Recoil starter

| Ser.No. | Description | Quantity |
|---------|-------------------|----------|
| 1 | Flange bolt M6×12 | 2 |
| 2 | Shroud comp | 1 |
| 3 | Shroud | 1 |
| 4 | Shroud | |
| 5 | GROMMET , CORD | 1 |
| 6 | Flange bolt M6×20 | 1 |
| 7 | GROMMET , CORD | |



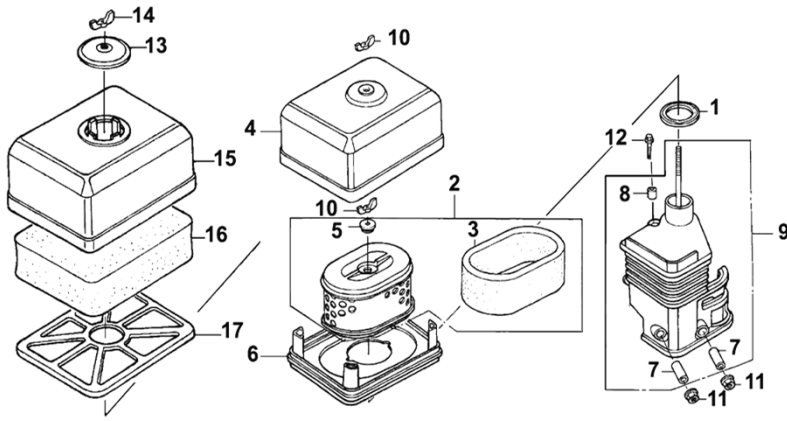
P-09 Regulating control system

| Ser.No. | Description | Quantity |
|---------|------------------------|----------|
| 1 | Regulating frame assy | 1 |
| 2 | Handgrip | 1 |
| 3 | Setting panel | 1 |
| 4 | Regulating spring | 1 |
| 5 | Spring | 1 |
| 6 | Spring patch | 1 |
| 7 | Washer | 2 |
| 8 | Support panel | 1 |
| 9 | Clamp | 1 |
| 10 | Regulating arm | 1 |
| 11 | Pulling rod | 1 |
| 12 | Lock bolt | 1 |
| 13 | Back spring | 1 |
| 14 | Fine regulating spring | 1 |
| 15 | Bolt M6×16 | 1 |
| 16 | Nut M6 | 2 |
| 17 | Bolt M5×35 | 1 |



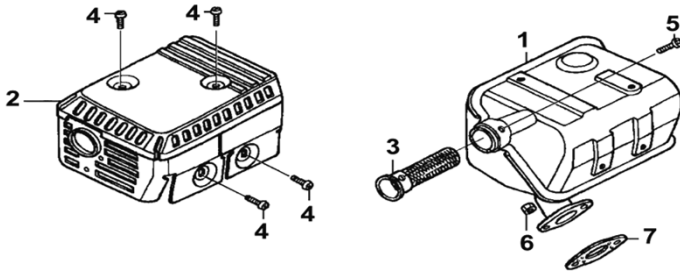
P-10 Flywheel

| Ser.No. | Description | Quantity |
|---------|----------------------|----------|
| 1 | Special woodruff key | 1 |
| 2 | Cooling fan | 1 |
| 3 | Starter pulley | 1 |
| 4 | Ignition coil assy | 1 |
| 5 | Spark plug cap assy | 1 |
| 6 | Cord stop switch | 1 |
| 7 | Flywheel comp | 1 |
| 8 | Flange bolt M6×25 | 2 |
| 9 | Nut M14 | 1 |



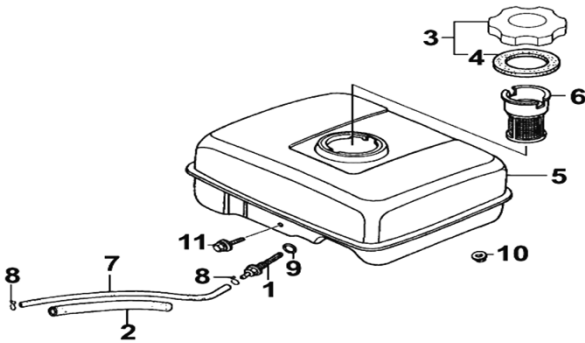
P-11 Air cleaner assembly

| Ser.No. | Description | Quantity |
|---------|----------------------------|----------|
| 1 | Elbow packing | 1 |
| 2 | Air cleaner element (dual) | 1 |
| 3 | Outer filter | 1 |
| 4 | Air cleaner(dual) | 1 |
| 5 | Air cleaner grommet | 1 |
| 6 | Silencer plate | 1 |
| 7 | Air cleaner collar | 2 |
| 8 | Air cleaner collar b | 1 |
| 9 | Air cleaner elbow comp | 1 |
| 10 | Butterfly | 2 |
| 11 | Flange net M6 | 2 |
| 12 | Flange bolt M6×20 | 1 |
| 13 | Cleaner cap | 1 |
| 14 | Air cleaner cover nut | 1 |
| 15 | Air cleaner cover | 1 |
| 16 | Air cleaner element | 1 |
| 17 | Air cleaner grid | 1 |



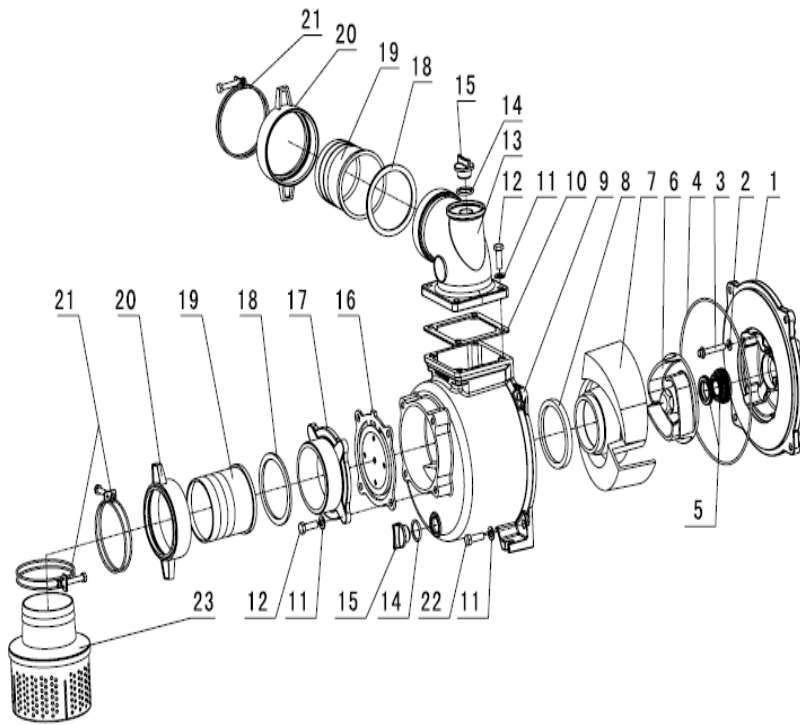
P-12 MUFFLER ASSY

| Ser.No. | Description | Quantity |
|---------|--------------------|----------|
| 1 | Muffler comp | 1 |
| 2 | Muffler protector | 1 |
| 3 | Spark arrester | 1 |
| 4 | Tapping screw M5×8 | 4 |
| 5 | Tapping screw M4×6 | 1 |
| 6 | Hex nut M8 | 2 |
| 7 | Muffler gasket | 1 |



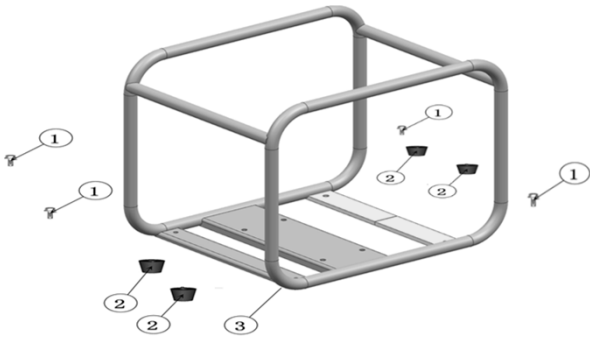
P-13 Fuel tank assembly

| Ser.No. | Description | Quantity |
|---------|--------------------------------|----------|
| 1 | Fuel tank joint | 1 |
| 2 | Support rubber (107mm) | 1 |
| 3 | Fuel filler cap comp (plastic) | 1 |
| 4 | Fuel filler cap packing | 1 |
| 5 | Fuel tank comp | 1 |
| 6 | Fuel filter | 1 |
| 7 | Flange nut M4.5×8.5×165 | 1 |
| 8 | Tube clip | 2 |
| 9 | O-ring 14mm | 1 |
| 10 | Flange nut M6 | 2 |
| 11 | Flange bolt M6×28 | 1 |



P-14

| Ser.No. | Description | Quantity |
|---------|--------------------|----------|
| 1 | | 1 |
| 2 | | 4 |
| 3 | Bolt flange M8×60 | 4 |
| 4 | | 1 |
| 5 | | 1 |
| 6 | | 1 |
| 7 | | 1 |
| 8 | | 1 |
| 9 | | 1 |
| 10 | Packing outlet | 1 |
| 11 | | 4 |
| 12 | Bolt flange M10×25 | 4 |
| 13 | Outlet(pf) | 1 |
| 14 | O-ring | 2 |
| 15 | Cap filler | 2 |
| 16 | Seal ring casing | 1 |
| 17 | Inlet(pf) | 1 |
| 18 | | 1 |
| 19 | | 1 |
| 20 | | 1 |
| 21 | | 3 |
| 22 | Bolt flange M10×25 | 4 |
| 23 | | 1 |



P-15 Frame

| Ser.No. | Description | Quantity |
|---------|-------------------|----------|
| 1 | Bolt flange M6×16 | 4 |
| 2 | Rubber bottom | 4 |
| 3 | | 1 |