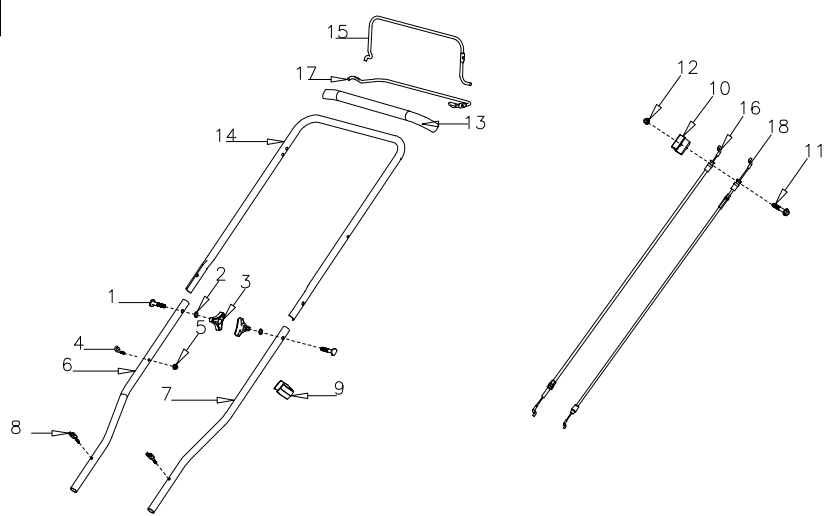
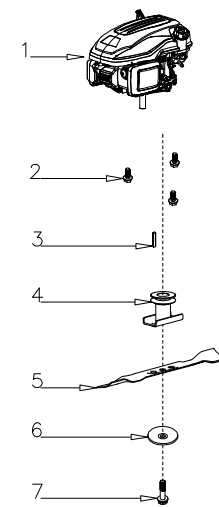


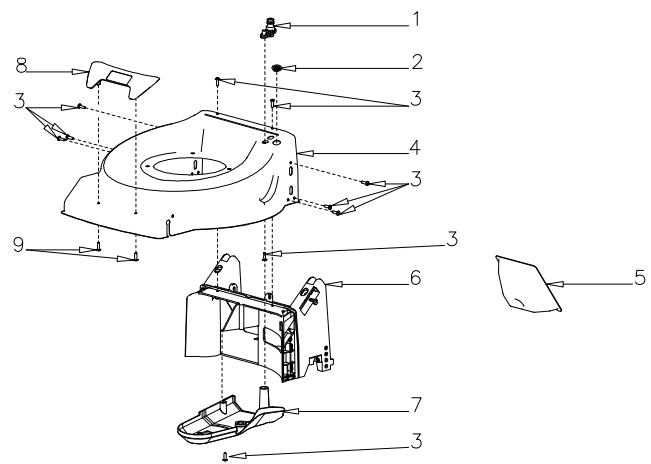
A



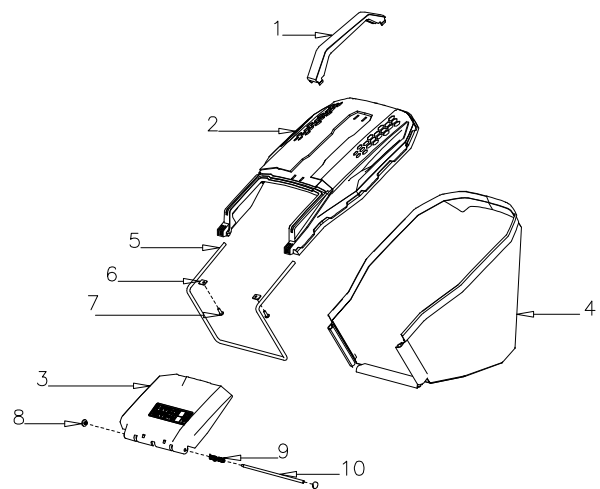
B



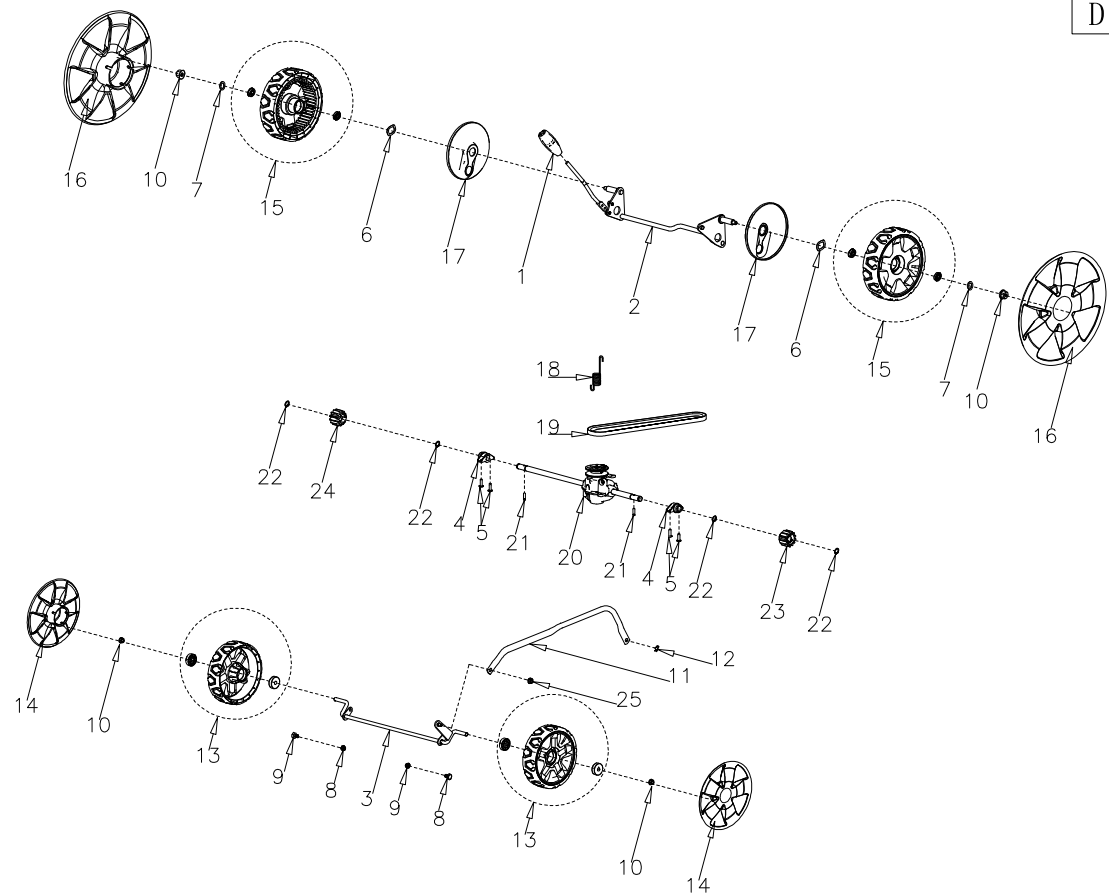
C



E



D



Position	Part name	Qty
A-1	Bolt	2
A-2	Flat Washer	2
A-3	Knob	2
A-4	Rope Guide	1
A-5	Nut	1
A-6	Lower handle	1
A-7	Lower handle	1
A-8	Knob	2
A-9	Snap	1
A-10	Cable Fixing Clamp	1
A-11	Bolt	1
A-12	Nut	1
A-13	Foam Pipe	1
A-14	upper handle	1
A-15	Brake Lever	1
A-16	Brake Cable	1
A-17	Clutch Lever	1
A-18	Clutch cabel	1
B-1	Engine	1
B-2	Bolt	3
B-3	Flat Key	1
B-4	Blade adapter	1
B-5	Blade	1
B-6	Blade Washer	1
B-7	Blade Bolt	1
B-8	Screw	3
B-9	Engine Cover	1
B-11	Filtering Net Duct of Fuel	1
B-12	Oil Pipe Circlip I	1
C-1	Washing Linker	1
C-2	Cable Sleeve	1
C-3	Screw	10
C-4	Deck	1
C-5	Mulching Plug	1
C-6	Back board	1
C-7	Belt cover	1
C-8	Front face	1
C-9	Screw	2
D-1	Height adjustment handle	1
D-2	Rear wheel shaft	1
D-3	Front wheel shaft	1
D-4	Front face	2
D-5	Screw	4
D-6	Spring Washer	2
D-7	Flat Washer	2
D-8	Bolt	2

D-9	Nut	2
D-10	Nut	4
D-11	Height adjustment connecting Rod	1
D-12	Split Pin	1
D-13	6" Wheel	2
D-14	6" Outer Wheel Cover	2
D-15	7inch wheel	2
D-16	7inch wheel cover	2
D-17	Inner wheel cover	2
D-18	Spring	1
D-19	Belt	1
D-20	Gearbox	1
D-21	Pin	2
D-22	Lock Ring	4
D-23	Left Gear	1
D-24	Right Gear	1
D-25	Nut	1
E-1	Handle	1
E-2	upper cover	1
E-3	Rear cover	1
E-4	Fabric bag	1
E-5	Metal Bracket	1
E-6	Indicated Board	2
E-7	Screw	2
E-8	plug	2
E-9	Spring	1
E-10	Rear Cover Shaft	1