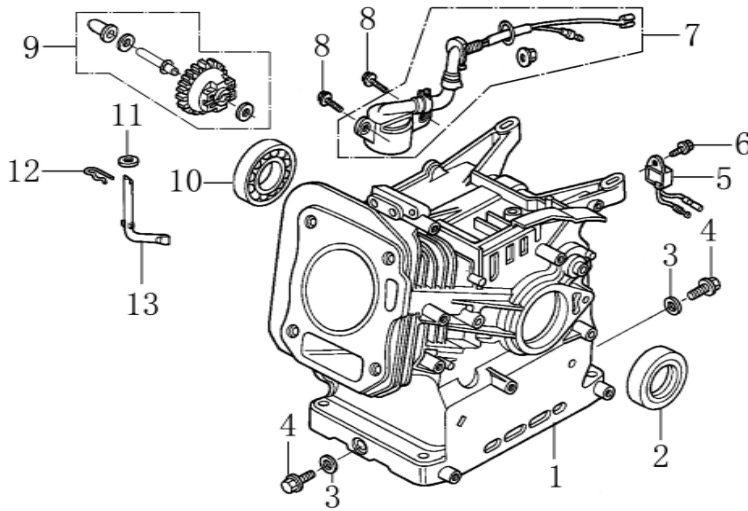


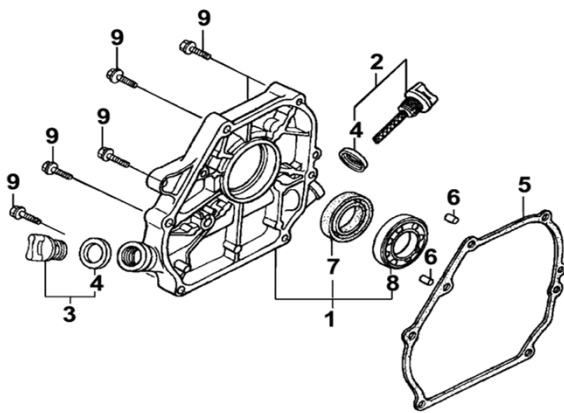
P-01 Cylinder head

Ser.No.	Description	Quantity
1	Cylinder head comp	1
2	Stud bolt M6×113	2
3	Dowel pin 10×16	2
4	Cylinder head gasket	1
5	Stud bolt M8×32	2
6	Spark plug	1
7	Flange bolt M8x60	4
8	Head cover packing	1
9	Head cover comp	1
10	Flange bolt M6x12	4
11	Exhaust pipe	1



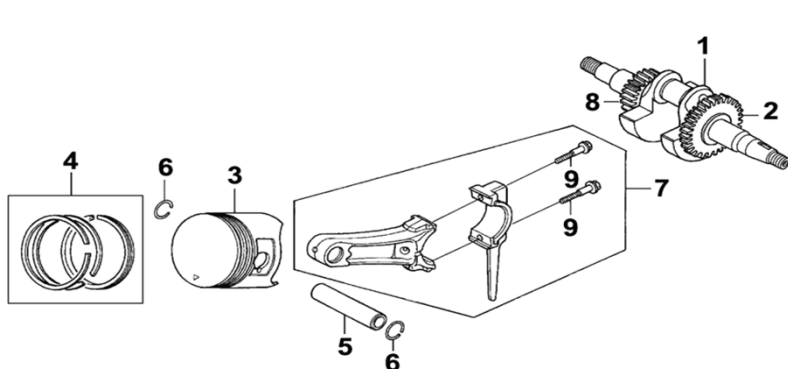
P-02 Crankcase

Ser.No.	Description	Quantity
1	Crankcase assy	1
2	Oil seal 25×41.25×6	1
3	Drain bolt washer	2
4	Drain bolt	2
5	Diode	1
6	Flange bolt M6x12	1
7	Oil sensor	1
8	Flange bolt M6×16	2
9	Governor kit	1
10	Radial ball bearing(6205)	1
11	Plain washer 6mm	1
12	Lock pin	1
13	Governor arm	1



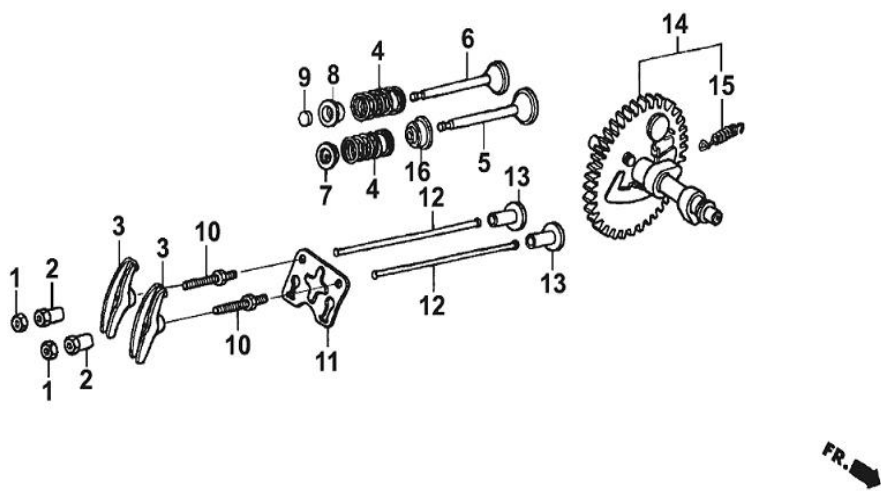
P-03 Crankcase cover assembly

Ser.No.	Description	Quantity
1	Crankcase cover assy	1
2	Oil level cap assy	1
3	Oil filler plug	1
4	Oil level cap packing	2
5	Case cover packing	1
6	Dowel pin 8x14	2
7	Oil seal 25×41.25×6	1
8	Radial ball bearing(6205)	1
9	Flange bolt	6



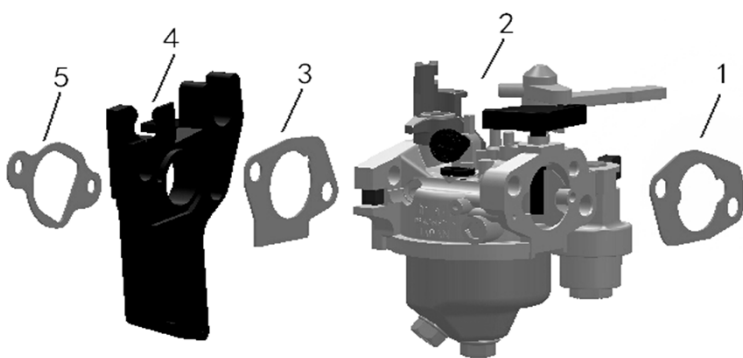
P-04 Crankshaft ,piston&tie-rod,balancing shaft

Ser.No.	Description	Quantity
1	Crankshaft comp	1
2	Speed- regulating drive gear	1
3	Piston	1
4		1
5	Piston pin	1
6	Piston pin clip 18mm	2
7	Connecting rod assy	1
8	Timing master gear	1
9	Connecting rod bolt	2



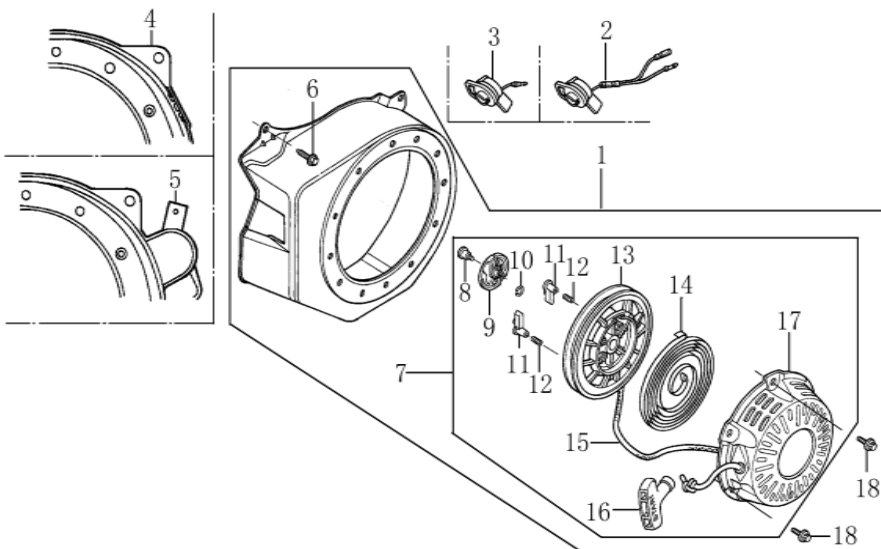
P-05 Camshaft

Ser.No.	Description	Quantity
1	Pivot adjusting nut	2
2	Rocker pivot	2
3	Valve rocker	2
4	Valve spring	2
5	Intake valve	1
6	Exhaust valve	1
7	Intake valve spring seat	1
8	Exhaust valve spring seat	1
9	Valve rotator	1
10	Pivot bolt	2
11	Push rod guide plate	1
12	Push rod	2
13	Valve lifter	2
14	Camshaft assy	1
15	Weight return spring	1
16	Exhaust valve spring retainer	1



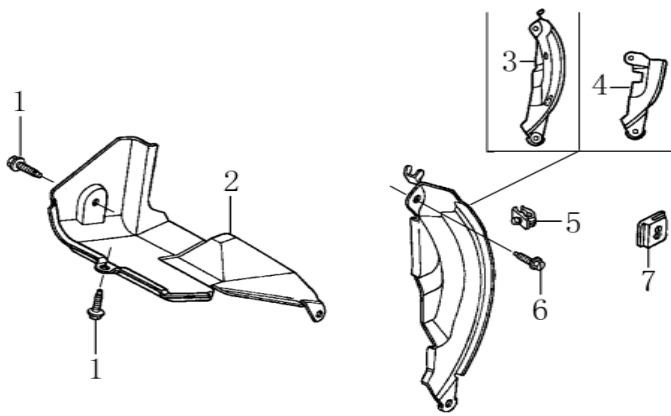
P-06 Carburetor assy

Ser.No.	Description	Quantity
1	Gasket inlet	1
2	Carburetor assy	1
3	Gasket, carburetor	1
4	Insulator plate, carburetor	1
5	Gasket,Insulator plate	1



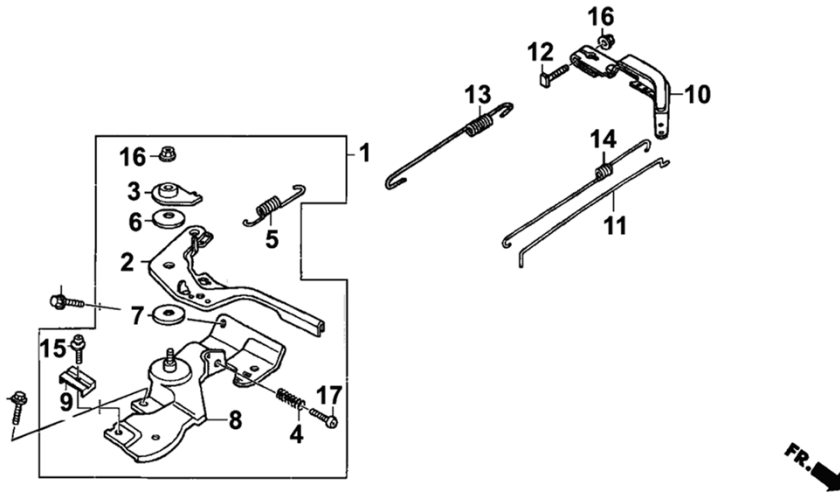
P-07 Recoil starter

Ser.No.	Description	Quantity
1	RECOIL STARTER COMP.	1
2	SWITCH ASSY., ENGINE STOP(OIL	1
3	SWITCH ASSY., ENGINE STOP	1
4	Fan cover comp	1
5		
6	Flange bolt M6x12	4
7	Recoil starter assy	1
8	Setting screw	1
9	Ratchet guide	1
10	spring	1
11	Starter ratchet	2
12	Return spring	2
13	Recoil starter reel	1
14	Recoil starter spring	1
15	Recoil starter rope	1
16	Recoil starter knob	1
17	Recoil starter case comp	1
18	Flange bolt M6x6	3



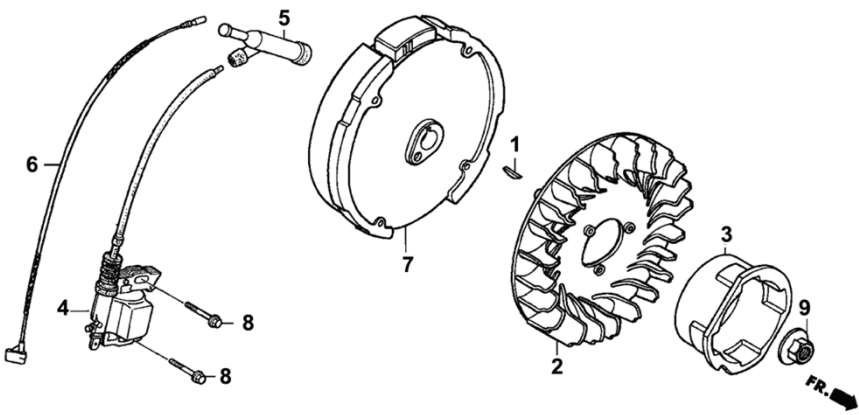
P-08 Recoil starter

Ser.No.	Description	Quantity
1	Flange bolt M6×12	2
2	Shroud comp	1
3	Shroud	1
4	Shroud	
5	GROMMET , CORD	1
6	Flange bolt M6×20	1
7	GROMMET , CORD	



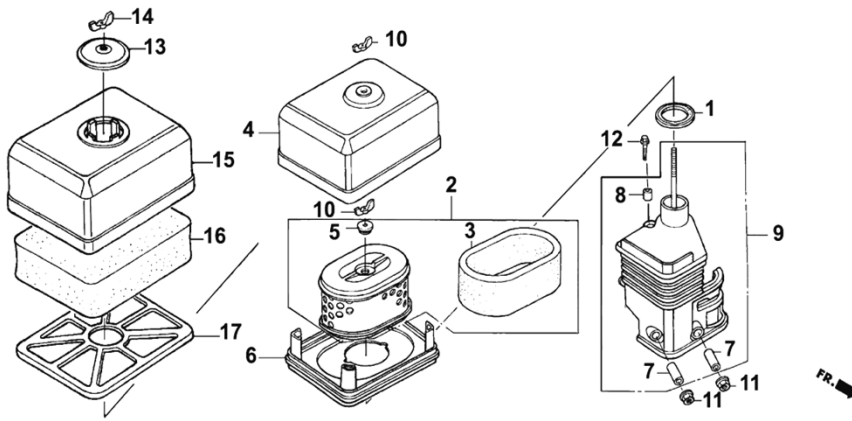
P-09 Regulating control system

Ser.No.	Description	Quantity
1	Regulating frame assy	1
2	Handgrip	1
3	Setting panel	1
4	Regulating spring	1
5	Spring	1
6	Spring patch	1
7	Washer	2
8	Support panel	1
9	Clamp	1
10	Regulating arm	1
11	Pulling rod	1
12	Lock bolt	1
13	Back spring	1
14	Fine regulating spring	1
15	Bolt M6×16	1
16	Nut M6	2
17	Bolt M5×35	1



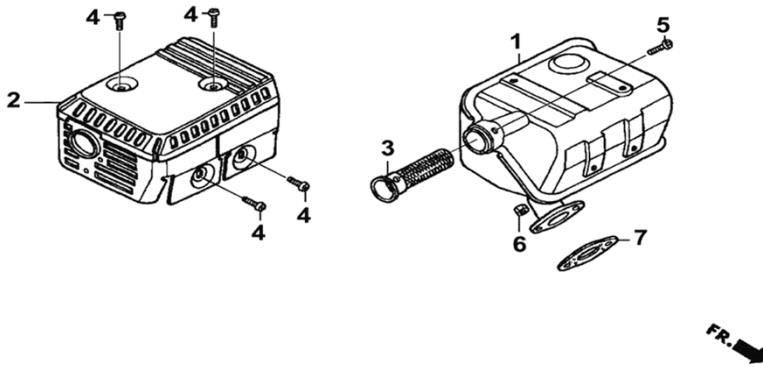
P-10 Flywheel

Ser.No.	Description	Quantity
1	Special woodruff key	1
2	Cooling fan	1
3	Starter pulley	1
4	Ignition coil assy	1
5	Spark plug cap assy	1
6	Cord stop switch	1
7	Flywheel comp	1
8	Flange bolt M6×25	2
9	Nut M14	1



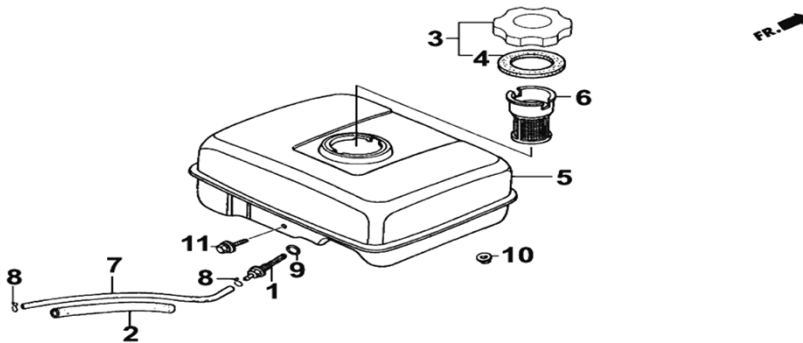
P-11 Air cleaner assembly

Ser.No.	Description	Quantity
1	Elbow packing	1
2	Air cleaner element (dual)	1
3	Outer filter	1
4	Air cleaner(dual)	1
5	Air cleaner grommet	1
6	Silencer plate	1
7	Air cleaner collar	2
8	Air cleaner collar b	1
9	Air cleaner elbow comp	1
10	Butterfly	2
11	Flange net M6	2
12	Flange bolt M6×20	1
13	Cleaner cap	1
14	Air cleaner cover nut	1
15	Air cleaner cover	1
16	Air cleaner element	1
17	Air cleaner grid	1



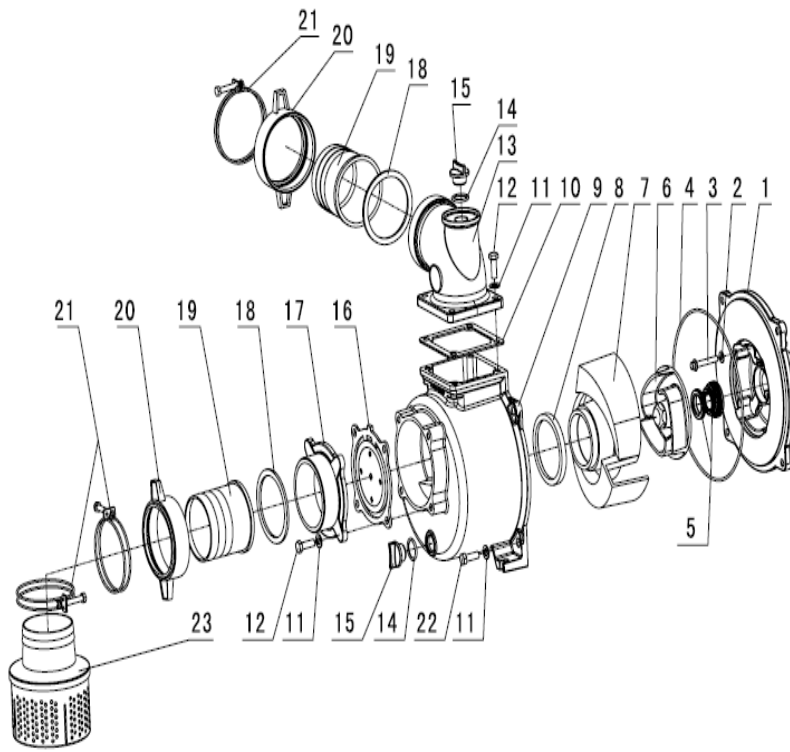
P-12 MUFFLER ASSY

Ser.No.	Description	Quantity
1	Muffler comp	1
2	Muffler protector	1
3	Spark arrester	1
4	Tapping screw M5×8	4
5	Tapping screw M4×6	1
6	Hex nut M8	2
7	Muffler gasket	1

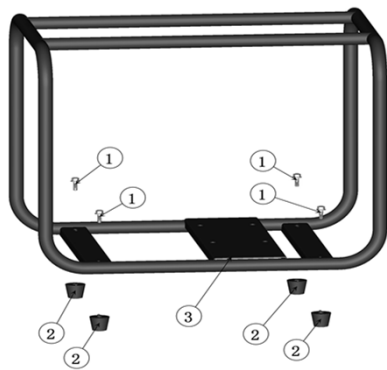


P-13 Fuel tank assembly

Ser.No.	Description	Quantity
1	Fuel tank joint	1
2	Support rubber (107mm)	1
3	Fuel filler cap comp (plastic)	1
4	Fuel filler cap packing	1
5	Fuel tank comp	1
6	Fuel filter	1
7	Flange nut M4.5×8.5×165	1
8	Tube clip	2
9	O-ring 14mm	1
10	Flange nut M6	2
11	Flange bolt M6×28	1



P-14		
Ser.No.	Description	Quantity
1		1
2		4
3	Bolt flange M8×60	4
4		1
5		1
6		1
7		1
8		1
9		1
10	Packing outlet	1
11		4
12	Bolt flange M10×25	4
13	Outlet(pf)	1
14	O-ring	2
15	Cap filter	2
16	Seal ring casing	1
17	Inlet(pf)	1
18		1
19		1
20		1
21		3
22	Bolt flange M10×25	4
23		1



P-15 Frame		
Ser.No.	Description	Quantity
1	Bolt flange M6×16	4
2	Rubber bottom	4
3		1