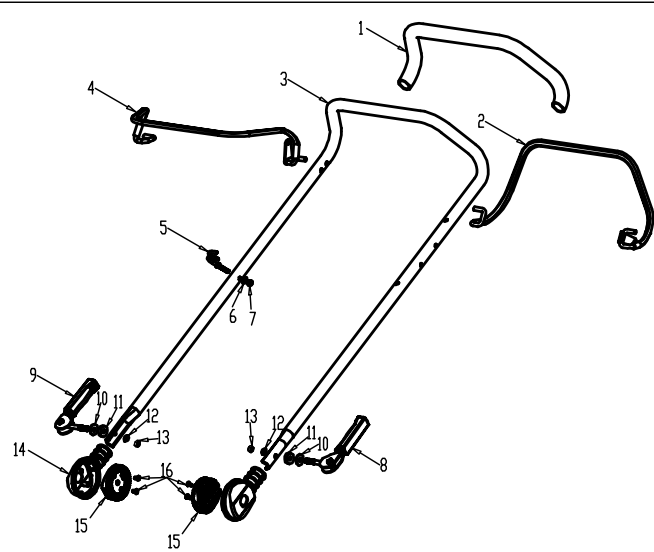
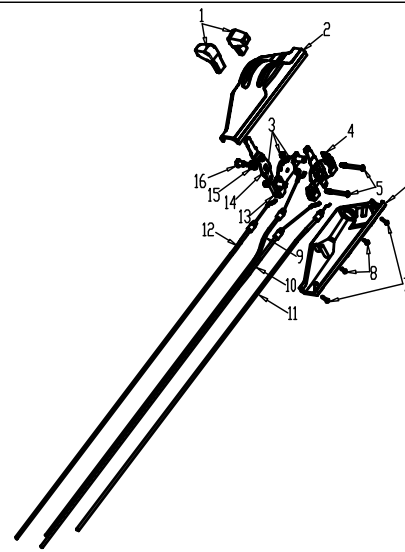
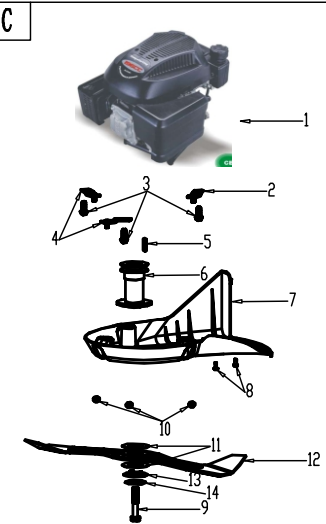
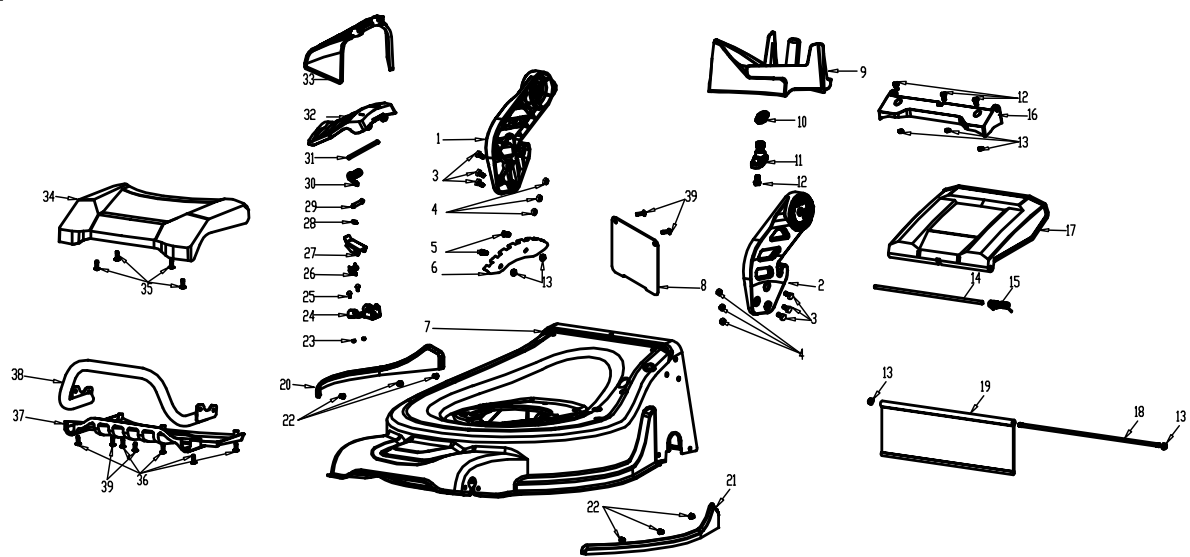
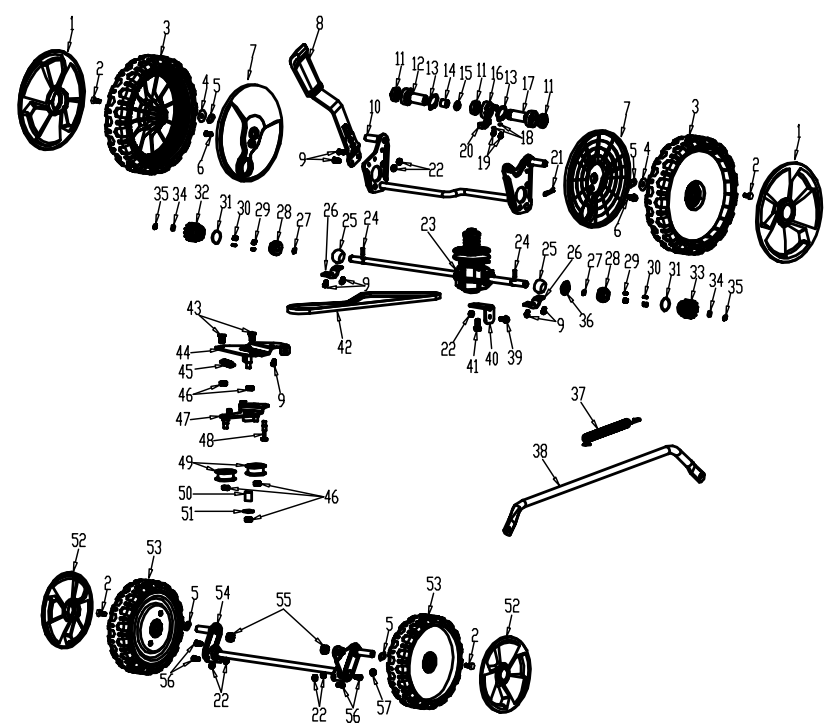
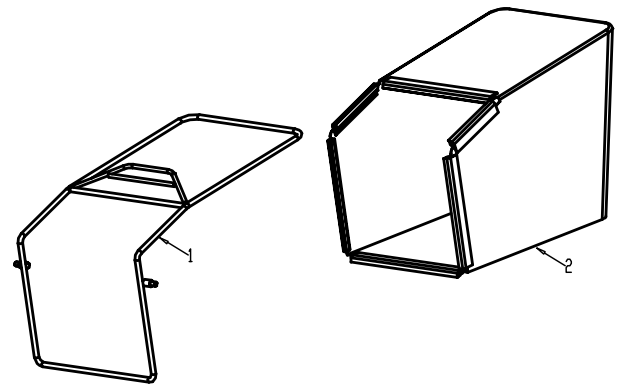


**A****B****C****D****E****F**

Part no	Part name	Qty
A-1	Armrest foam pipe	1
A-2	Clutch Lever	1
A-3	Handle	1
A-4	Brake Lever	1
A-5	Rope Guide	1
A-6	Flat Washer	1
A-7	Nut	1
A-8	Left Handle	1
A-9	Right Handle	1
A-10	Flat Washer	2
A-11	Flat Washer	2
A-12	Flat Washer	2
A-13	Nut	2
A-14	Handle gloves	2
A-15	Armrest gear	2
A-16	Screw	4
B-1	Plastic Grip	2
B-2	Handle box upper cover	1
B-3	Nut	3
B-4	Plastic Grip	1
B-5	Bolt	2
B-6	handle box lower cover	1
B-7	Screw	2
B-8	Screw	2
B-9	Brake Cable	1
B-10	Clutch cabel	1
B-11	Cable	1
B-12	Cultch cable	1
B-13	Plate	1
B-14	Handle	1
B-15	Spring	1
B-16	Bolt	1
C-1	Engine	1
C-2	fixing plate	1
C-3	Bolt	3
C-4	fixing plate	2
C-5	Flat Key	1
C-6	blade adapter	1
C-7	Belt Cover	1
C-8	Screw	2
C-9	Blade Bolt	1
C-10	Nut	3
C-11	Blade friction plate	2
C-12	Blade limit washer	1
C-13	Blade limit washer	1
C-14	blade washer	1
D-1	Right armrest bracket	1
D-2	Left armrest bracket	1
D-3	Bolt	6

D-4	Nut	6
D-5	Bolt	2
D-6	position plate	1
D-7	Deck	1
D-8	Repair window	1
D-9	Mulching Plug	1
D-10	Cable Sleeve	1
D-11	Clean connector	1
D-12	Bolt	4
D-13	Nut	7
D-14	Rear cover shaft	1
D-15	Spring	1
D-16	Rear cover base	1
D-17	Rea cover	1
D-18	Bolt shaft	1
D-19	dust shield	1
D-20	Shield Assembly	1
D-21	Shield Assembly	1
D-22	Screw	6
D-23	Nut	2
D-24	bracket	1
D-25	Bolt	2
D-26	Spring	1
D-27	Cover Plate	1
D-28	Lock Ring	1
D-29	shaft	1
D-30	Spring	1
D-31	Side Discharge Cover Shaft	1
D-32	cover plate	1
D-33	side Discharge plate	1
D-34	front handle	1
D-35	Screw	4
D-36	Screw	5
D-37	comber plate	1
D-38	Bumper Assembly	1
D-39	Screw	4
E-1	Wheel cover	2
E-2	Bolt	4
E-3	wheel	2
E-4	Flat Washer	2
E-5	Flat Washer	4
E-6	Screw	2
E-7	Wheel inner cover	2
E-8	Height adjustment handle	1
E-9	Bolt	7
E-10	Rear wheel drive group	1
E-11	Ball Bearing	3
E-12	Rear wheel drive shaft sleeve	1
E-13	Lock Ring	2
E-14	Shaft sleeve	1

E-15	Dust cover	1
E-16	Shaft sleeve	1
E-17	Shaft sleeve	1
E-18	Spring washer	2
E-19	Screw	2
E-20	Shaft sleeve cover	1
E-21	Split Pin	1
E-22	Nut	7
E-23	Gearbox	1
E-24	pin	2
E-25	Shaft sleeve	2
E-26	plate	2
E-27	Lock Ring	2
E-28	pin sleeve	2
E-29	spring	6
E-30	pin	6
E-31	"o" Ring $\phi 20 * \phi 2.3$	2
E-32	gear	1
E-33	Gear	1
E-34	Flat Washer	2
E-35	Lock Ring	2
E-36	Shaft sleeve	1
E-37	Spring	1
E-38	Connecting rod	1
E-39	Screw	1
E-40	Plate	1
E-41	Bolt	1
E-42	Belt	1
E-43	Bolt	2
E-44	Plate	1
E-45	Spring	1
E-46	Nut	5
E-47	Plate	1
E-48	Bolt	1
E-49	Assy	2
E-50	Shaft sleeve	1
E-51	Flat Washer	1
E-52	wheel cover	2
E-53	wheel	2
E-54	Front drive assembly	1
E-55	Shaft sleeve	2
E-56	Screw	4
E-57	Nut	1